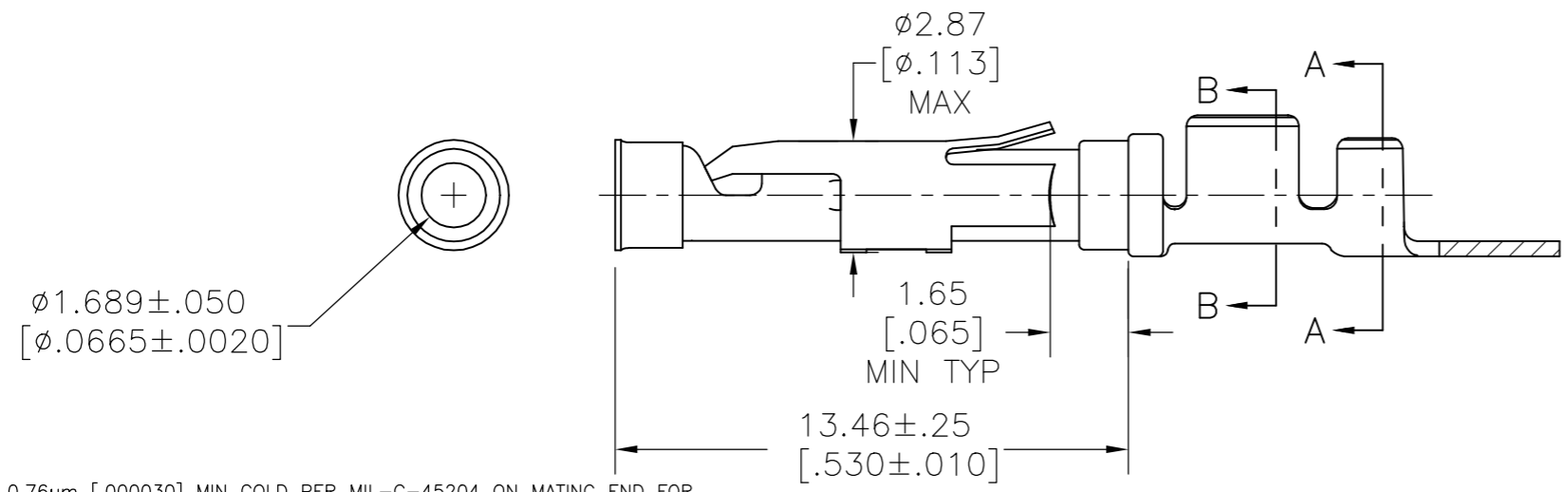
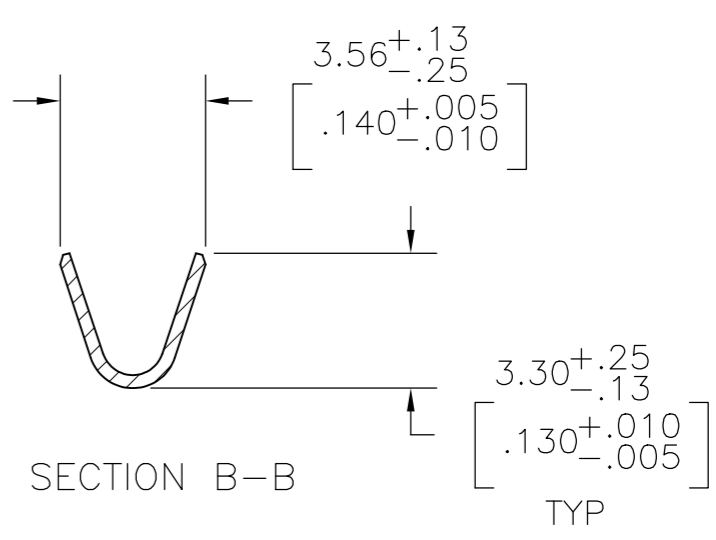
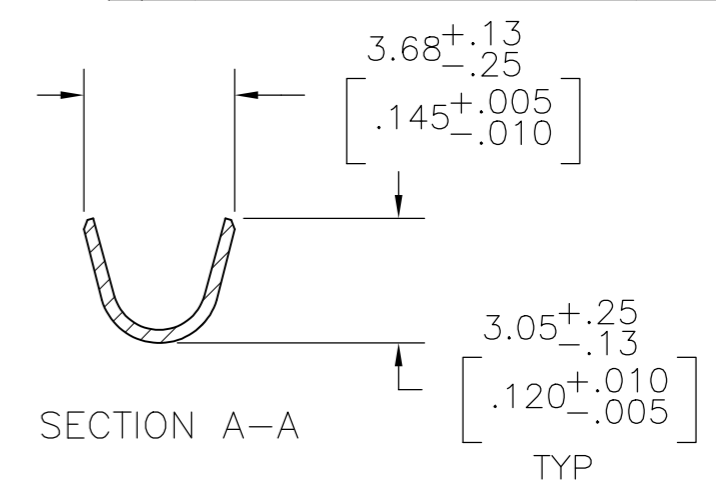
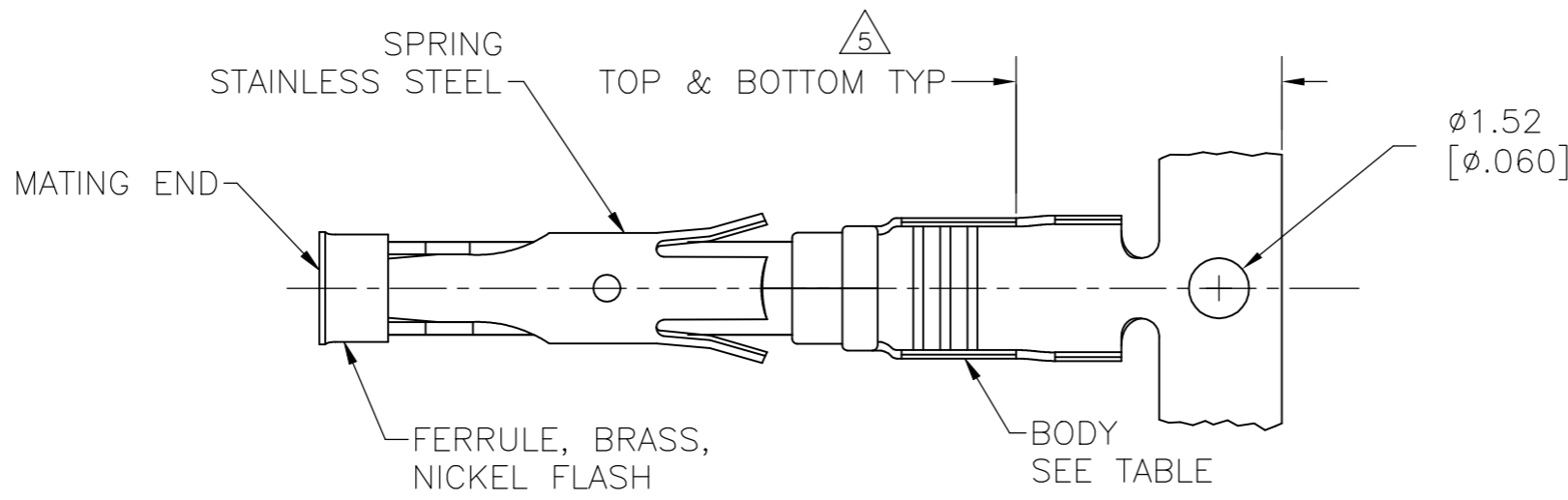


THIS DRAWING IS UNPUBLISHED. RELEASED FOR PUBLICATION
 © COPYRIGHT - By - ALL RIGHTS RESERVED.

REVISIONS					
P	LTR	DESCRIPTION	DATE	DWN	APVD
AG		REVISED PER ECO-12-012320	04JUL12	KH	MZ
AH		REVISED PER ECO-16-017885	06OCT2017	RS	MZ
AJ		REVISED PER ECO-18-008406	01JUN2018	RS	MZ



- 1 0.76µm [.000030] MIN GOLD PER MIL-G-45204 ON MATING END FOR A LENGTH OF 5.08 [.200] MIN WITH GOLD FLASH ON THE REMAINDER OVER 0.76µm [.000030] MIN NICKEL PER QQ-N-290.
- 2 1.27µm [.000050] MIN TIN-LEAD PER MIL-T-10727 OVER 0.76µm [.000030] MIN NICKEL PER QQ-N-290.
- 3 0.76µm [.000030] MIN GOLD PER MIL-G-45204 ON MATING END FOR A LENGTH OF 5.08 [.200] MIN WITH A UNIFORM GRADIENT TO 0.25 [.000010] MIN GOLD PER MIL-G-45204 ON THE REMAINDER OVER 0.76µm [.000030] MIN NICKEL PER QQ-N-290.
- 4 0.38µm [.000015] MIN GOLD PER MIL-G-45204 ON MATING END FOR A LENGTH OF 5.08 [.200] MIN WITH 1.27µm [.000050] MIN MATTE TIN PLATE IN WIRE CRIMP AREA, BOTH OVER 0.76µm [.000030] MIN NICKEL PER QQ-N-290.
- 5 GOLD PLATING NEED NOT APPEAR IN THIS AREA.
- 6 REVERSE REELED FOR MINI-APPLICATOR.
- 7 WIRE RANGE 14-18 AWG. INSULATION RANGE 2.03 [.080]-2.54 [.100].
- 8 0.38µm [.000015] MIN GOLD PER MIL-G-45204 ON MATING END FOR A LENGTH OF 5.08 [.200] MIN, 1.27µm [.000050] MIN TIN-LEAD PER MIL-T-10727 FOR A LENGTH OF 5.69 [.224] MIN ON OPPOSITE END, BOTH OVER 1.27µm [.000050] MIN NICKEL PER QQ-N-290 ON ENTIRE CONTACT.
- 9 1.27µm [.000050] MIN TIN PER MIL-T-10727 OVER 0.6µm [.000030] MIN NICKEL PER QQ-N-290.
- 10 2.54µm [.000100] MIN SILVER OVER 0.76µm [.000030] MIN NICKEL PER QQ-N-290.
- 11 OBSOLETE PARTS: OBSOLETE CIS STREAMLINING PER D.RENAUD/D.SINISI
- 12 0.76µm [.000030] MIN GOLD PER MIL-G-45204 ON MATING END FOR A LENGTH OF 5.08 [.200] MIN WITH 1.27µm [.000050] MIN MATTE TIN PLATE IN WIRE CRIMP AREA, BOTH OVER 0.76µm [.000030] MIN NICKEL PER QQ-N-290.

REVISION	DATE	DESCRIPTION	BY	CHK	APVD
1	23JUL03	BRASS	V. FURLER		
2	23JUL03	BRASS	G. STEINHAUER		
3	23JUL03	CU-NI ALLOY	G. STEINHAUER		
4	23JUL03	CU-NI ALLOY	G. STEINHAUER		
5	23JUL03	PHOSPHOR BRONZE	G. STEINHAUER		
6	23JUL03	BRASS	G. STEINHAUER		
7	23JUL03	BRASS	G. STEINHAUER		
8	23JUL03	BRASS	G. STEINHAUER		
9	23JUL03	BRASS	G. STEINHAUER		
10	23JUL03	BRASS	G. STEINHAUER		
11	23JUL03	BRASS	G. STEINHAUER		
12	23JUL03	BRASS	G. STEINHAUER		
13	23JUL03	BRASS	G. STEINHAUER		
14	23JUL03	BRASS	G. STEINHAUER		
15	23JUL03	BRASS	G. STEINHAUER		
16	23JUL03	BRASS	G. STEINHAUER		
17	23JUL03	BRASS	G. STEINHAUER		
18	23JUL03	BRASS	G. STEINHAUER		
19	23JUL03	BRASS	G. STEINHAUER		
20	23JUL03	BRASS	G. STEINHAUER		
21	23JUL03	BRASS	G. STEINHAUER		
22	23JUL03	BRASS	G. STEINHAUER		
23	23JUL03	BRASS	G. STEINHAUER		
24	23JUL03	BRASS	G. STEINHAUER		
25	23JUL03	BRASS	G. STEINHAUER		
26	23JUL03	BRASS	G. STEINHAUER		
27	23JUL03	BRASS	G. STEINHAUER		
28	23JUL03	BRASS	G. STEINHAUER		
29	23JUL03	BRASS	G. STEINHAUER		
30	23JUL03	BRASS	G. STEINHAUER		
31	23JUL03	BRASS	G. STEINHAUER		
32	23JUL03	BRASS	G. STEINHAUER		
33	23JUL03	BRASS	G. STEINHAUER		
34	23JUL03	BRASS	G. STEINHAUER		
35	23JUL03	BRASS	G. STEINHAUER		
36	23JUL03	BRASS	G. STEINHAUER		
37	23JUL03	BRASS	G. STEINHAUER		
38	23JUL03	BRASS	G. STEINHAUER		
39	23JUL03	BRASS	G. STEINHAUER		
40	23JUL03	BRASS	G. STEINHAUER		
41	23JUL03	BRASS	G. STEINHAUER		
42	23JUL03	BRASS	G. STEINHAUER		
43	23JUL03	BRASS	G. STEINHAUER		
44	23JUL03	BRASS	G. STEINHAUER		
45	23JUL03	BRASS	G. STEINHAUER		
46	23JUL03	BRASS	G. STEINHAUER		
47	23JUL03	BRASS	G. STEINHAUER		
48	23JUL03	BRASS	G. STEINHAUER		
49	23JUL03	BRASS	G. STEINHAUER		
50	23JUL03	BRASS	G. STEINHAUER		

THIS DRAWING IS A CONTROLLED DOCUMENT. DWN V. FURLER 23JUL2003

CHK G. STEINHAUER 23JUL03

APVD G. STEINHAUER 23JUL03

TE Connectivity

SOCKET ASSEMBLY, .062, TYPE III+

SIZE A2 CAGE CODE 00779 DRAWING NO C-66358 RESTRICTED TO

MATERIAL SEE CALLOUTS FINISH SEE CALLOUTS WEIGHT - SCALE 8:1 SHEET 1 of 1 REV AJ

CUSTOMER DRAWING

X-ON Electronics

Largest Supplier of Electrical and Electronic Components

Click to view similar products for [Standard Circular Contacts](#) category:

Click to view products by [TE Connectivity](#) manufacturer:

Other Similar products are found below :

[RC16M23J](#) [133780-1](#) [RM20M13D28](#) [RM24M9D28](#) [RMMX110-1D28](#) [MS3474W10-6P L/C](#) [ELVP16100E](#) [164-901-CD](#) [EN3545007SCE](#)
[BV002BSQ20049CZ](#) [BV002SSQ160404CZ](#) [1900ND05S1B00B](#) [192900-0718](#) [166566-1](#) [1900ND04S1X00D](#) [ST-JL05-16S-C3-100](#) [ST-JL05-20S-C1-100](#) [ST-JL05-20S-C2-100](#) [T01-CRIMP-S03](#) [APK-SA16A07-002](#) [27963-15T12](#) [CONT-JL05-08S-C2-10](#) [CONT-JL05-12S-C1-10](#)
[RC16M-23T](#) [RFD26L-1D28](#) [BV002ASJ16049CW](#) [JN1-22-20S-R-PKG100](#) [031-50213](#) [031-50565](#) [031-50794](#) [SJS861301M](#) [ST-JL05-16S-C1-100](#) [ST-JL05-20P-C1-100](#) [82911466K](#) [192991-0087](#) [192900-0570](#) [44-100-1414P-1000-101](#) [T3P16FC3LZ](#) [ST-JL05-16S-C2-3500](#) [ZP-4016-10NF](#) [CONT-JL05-12P-C1-10](#) [RM20M12G8D28](#) [031-50676](#) [12115010110](#) [RJFTVC2MG](#) [CAP-DACMDPC2](#) [031-50675-002](#) [CAP-DD1FDPC2](#) [CAP-DACMDPC1](#) [031-50966-010](#)