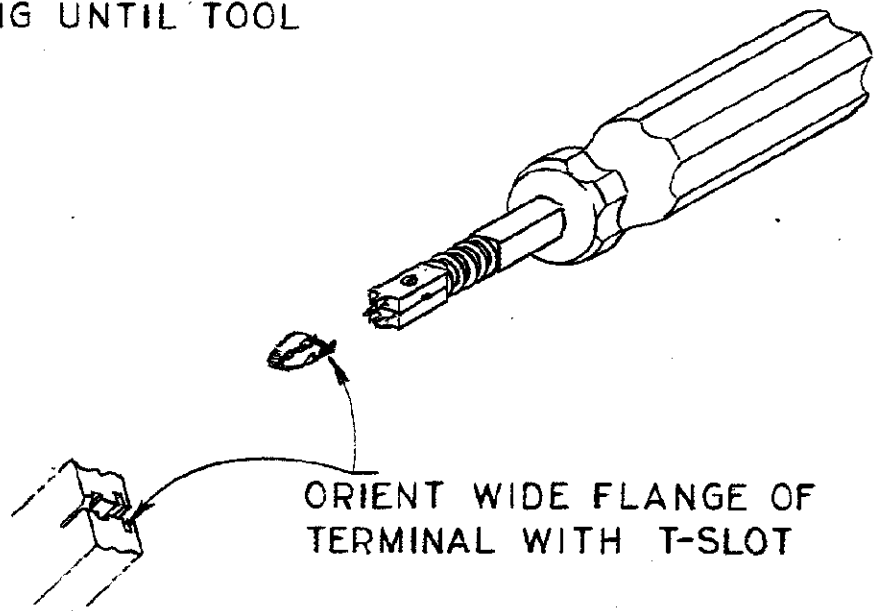


© COPYRIGHT 1977, 78 BY AMP INCORPORATED, HARRISBURG, PA. ALL INTERNATIONAL RIGHTS RESERVED. AMP INCORPORATED PRODUCTS COVERED BY U.S. AND FOREIGN PATENTS AND /OR PATENTS PENDING.

REVISIONS				
LTR	DESCRIPTION	DATE	APPROVED	P/F
A	REDRAWN (-2 SUPSDS. -1) <small>ECN R2392</small>	2-23-78	<i>[Signature]</i>	Y


TO USE TOOL:

1. INSERT TERMINAL BETWEEN JAW AND PIN.
2. PUSH TERMINAL INTO CAVITY IN STRAIGHT-LINE ACTION; CONTINUE PUSHING AFTER JAWS SEAT ON HOUSING UNTIL TOOL BOTTOMS.



ORIENT WIDE FLANGE OF TERMINAL WITH T-SLOT

TOOL NO. 274290-2	TERMINAL NO.		CAVITY NO. CP76-7040 (.065 INS. DEPTH)
	STRIP 62606	LOOSE PC. —	

UNLESS OTHERWISE SPECIFIED DIMENSIONS ARE IN INCHES. TOLERANCES ON: DECIMALS ± — ANGLES ± —	CONTRACT NO	 AMP INCORPORATED Harrisburg, Pa.		
	DR WD 9-30-77			NAME
MATERIAL	CHK <i>PETA</i> 10-6-77	INSERTION TOOL MINI-MAG.		
FINISH	APPD			
	APPD	SIZE A	CODE IDENT NO 00779	DRAWING NO 274290
	OSGN APPD	SCALE —		SHEET 1 of 1
	OTHER APPD			

X-ON Electronics

Largest Supplier of Electrical and Electronic Components

Click to view similar products for [Extraction, Removal & Insertion Tools](#) category:

Click to view products by [TE Connectivity](#) manufacturer:

Other Similar products are found below :

[M8196914-08](#) [768211-2](#) [809-131](#) [844751-2](#) [8-59558-2](#) [91018-1](#) [12014013](#) [12093647](#) [1-21048-0](#) [R282867020](#) [12093078](#) [1-21048-6](#)
[12121897](#) [DCF.91.405.5LT](#) [1322](#) [15314260](#) [15313892](#) [15350698](#) [15350707](#) [15430130](#) [1579018-4](#) [1643916-1](#) [1-679532-0](#) [1976593-3](#)
[OUTEXT-0321](#) [2-1579008-3](#) [2-1579008-4](#) [229694-7](#) [231106-1](#) [241469](#) [91040-3](#) [91040-7](#) [965004-000](#) [965069-000](#) [1738219-1](#) [ET-JL05-16](#)
[FG 0300 146 3000](#) [FIT-6](#) [210S048](#) [2-1579007-9](#) [231879-1](#) [312138-3](#) [RJ11FODE](#) [356-162](#) [M8196914-10](#) [4-1579018-0](#) [430395-001](#) [483249-](#)
[1](#) [5-1579007-2](#) [5-1579007-9](#)