

THIS DRAWING IS UNPUBLISHED.

RELEASED FOR PUBLICATION

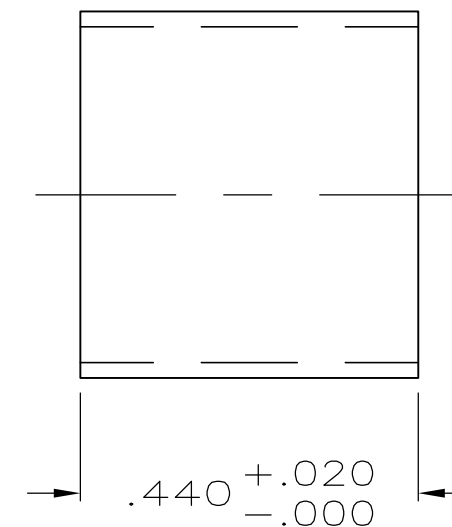
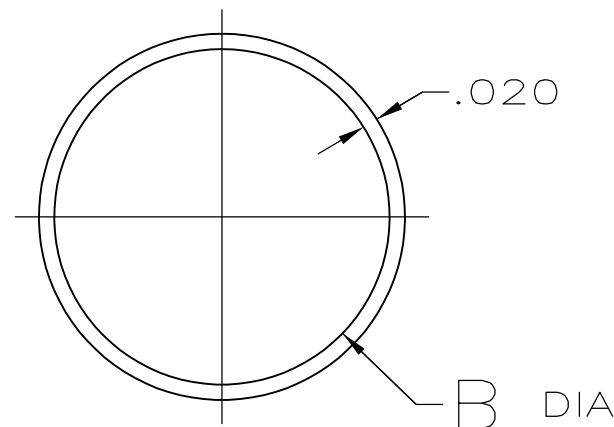
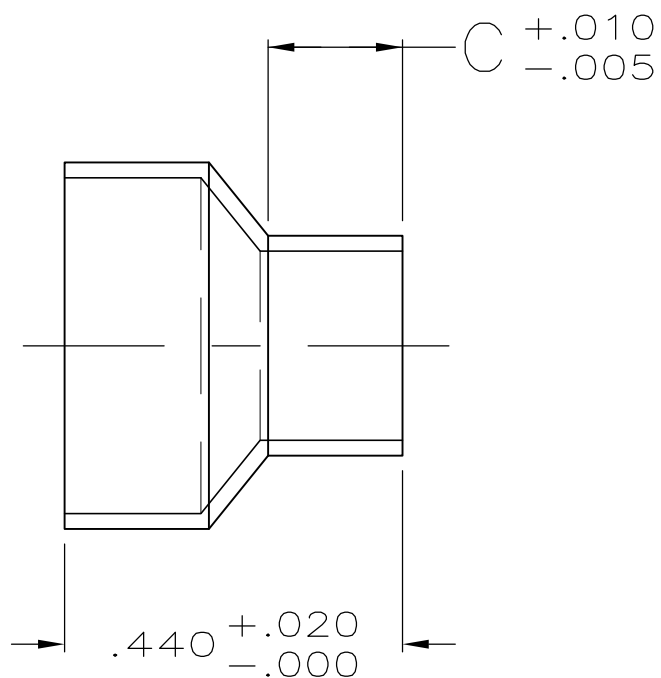
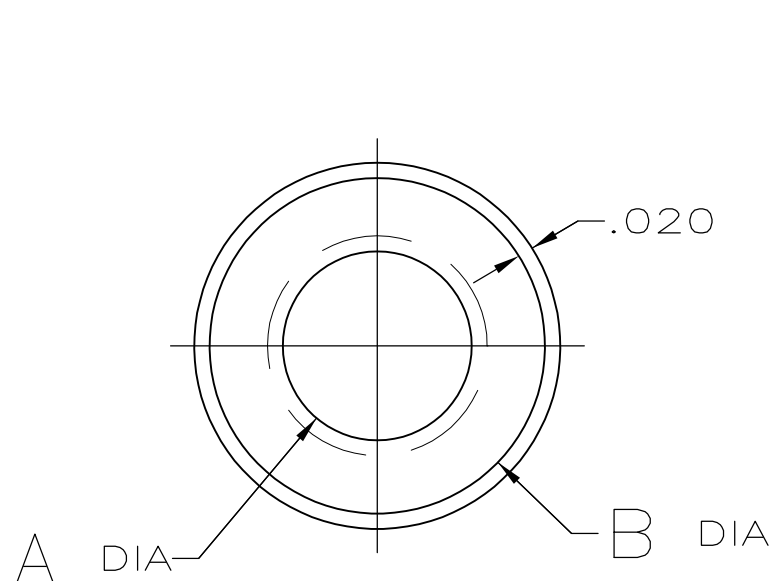
ALL RIGHTS RESERVED.

© COPYRIGHT - By -

LOC GP DIST 00

REVISIONS

P	LTR	DESCRIPTION	DATE	DWN	APVD
	K3	REVISED PER ECO-11-004835	11MAR11	RK	HMR



STYLE I (STEPPED)

STYLE II (STRAIGHT)

	2	I I	.460-.400	-	.460	-	3-747579-6
	2	I	.375-.324	.175	.437	.375	3-747579-4
	2	I	.324-.246	.175	.437	.324	3-747579-2
	2	I	.246-.165	.175	.437	.246	3-747579-0
	2	I I	.437-.375	-	.437	-	2-747579-7
OBSOLETE	1	I I	.460-.400	-	.460	-	1-747579-4
OBSOLETE	1	I I	.437-.375	-	.437	-	1-747579-2
OBSOLETE	1	I	.375-.324	.175	.437	.375	1-747579-1
OBSOLETE	1	I	.324-.246	.175	.437	.324	1-747579-0
OBSOLETE	1	I	.246-.165	.175	.437	.246	747579-8
FINISH	STYLE	INSULATION RANGE DIAMETER, REF	C	B	A	PART NUMBER	

1 .000200 MIN BRIGHT TIN-LEAD OVER .000100 MIN COPPER.

2 .000200 MIN BRIGHT TIN OVER .000100 MIN COPPER.

THIS DRAWING IS A CONTROLLED DOCUMENT.

DIMENSIONS: INCHES	TOLERANCES UNLESS OTHERWISE SPECIFIED:
	0 PLC ± -
	1 PLC ± -
	2 PLC ± -
	3 PLC ± .005
	4 PLC ± -
	ANGLES ± -
MATERIAL: STEEL, ANNEALED	FINISH: SEE TABLE

DWN: B. MCMASTER	21MAY04
CHK: J. GERACE	21MAY04
APVD: M. WALMSLEY	21MAY04
PRODUCT SPEC	
APPLICATION SPEC	
WEIGHT	-

<b>STE</b> TE Connectivity			
NAME: FERRULE, OUTER, SIZES 1 THRU 3, SHIELDING HARDWARE, AMPLIMITE®			
SIZE: A3	CAGE CODE: 00779	DRAWING NO: C-747579	RESTRICTED TO: -
CUSTOMER DRAWING		SCALE: 4:1	SHEET: 1 OF 1
		REV: K3	

## X-ON Electronics

Largest Supplier of Electrical and Electronic Components

*Click to view similar products for [D-Sub Tools & Hardware](#) category:*

*Click to view products by [TE Connectivity](#) manufacturer:*

Other Similar products are found below :

[000-01-09-132](#) [000-01-21-132](#) [000-01-31-162](#) [572019-00105-70](#) [000-01-37-162](#) [621-250-113-115](#) [D110550-2](#) [D20418-137](#) [780-518-50SG6-WS](#) [86552009](#) [86553115TLF](#) [86553117TLF](#) [1230032-1](#) [1-5021101-2](#) [1589283-4](#) [160-000-005R031](#) [16-000230](#) [160-025-004R031](#) [160-000-137R000](#) [160-020-209R000](#) [164C03939A](#) [177-505-A-2-2](#) [1-966830-8](#) [21018-6](#) [21028-2](#) [2-1393560-9](#) [JS-1000](#) [L17D204182M3E](#) [L17D53018](#) [300X10779X](#) [160X10189X](#) [160X10419X](#) [160X10959X](#) [162-000-050R000](#) [21018-5](#) [212561-3](#) [248C21550X](#) [CF15P](#) [QLOCKPOST-2](#) [D110277](#) [500-008NF1K-01](#) [500-008NF3R3KS-01](#) [500-017M09FN](#) [500-017M15MHN](#) [500-024M1](#) [500-068M3](#) [5-1393561-5](#) [C115373-0001](#) [C115373-0002](#) [3342-4-KIT](#)