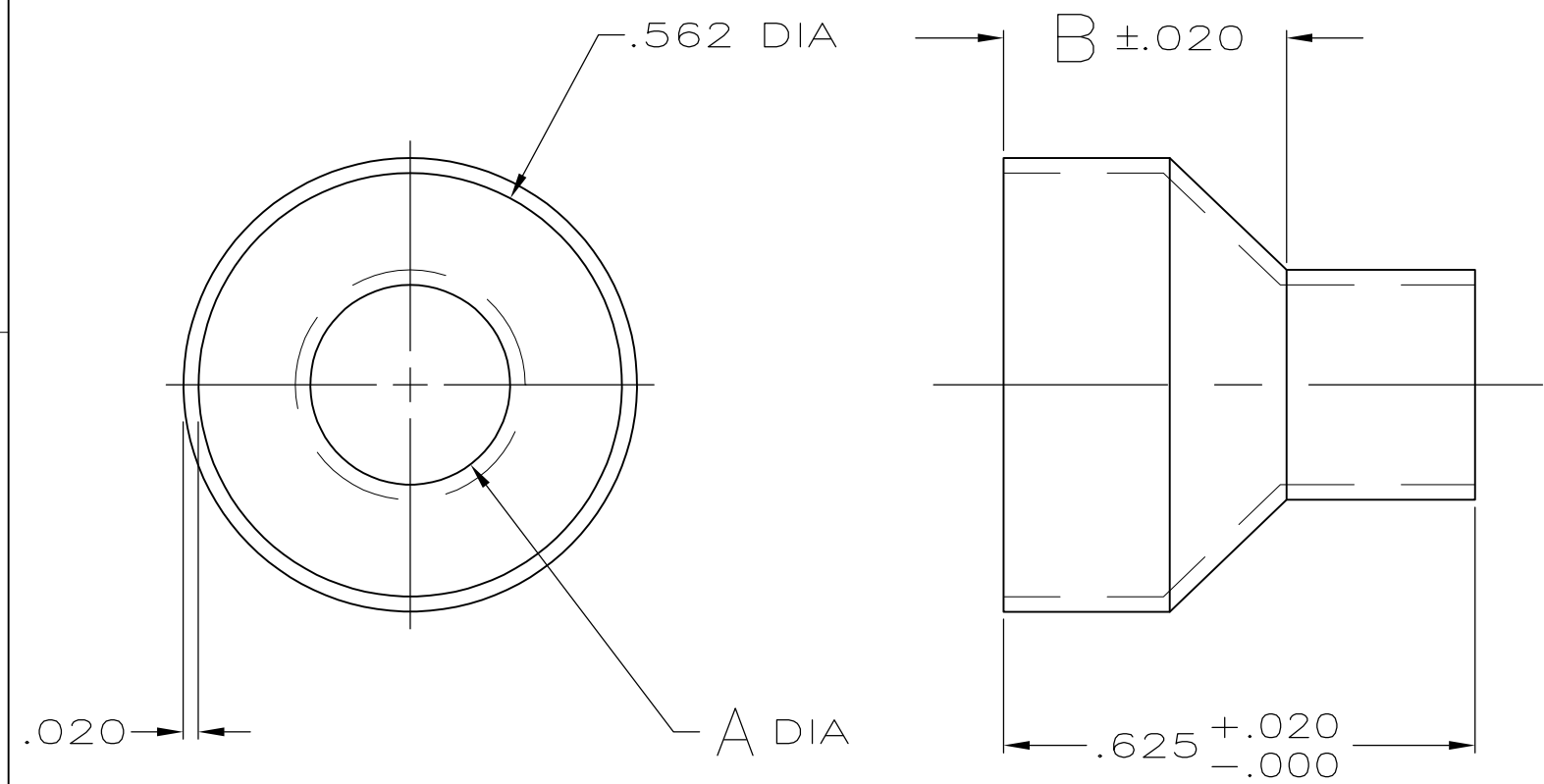
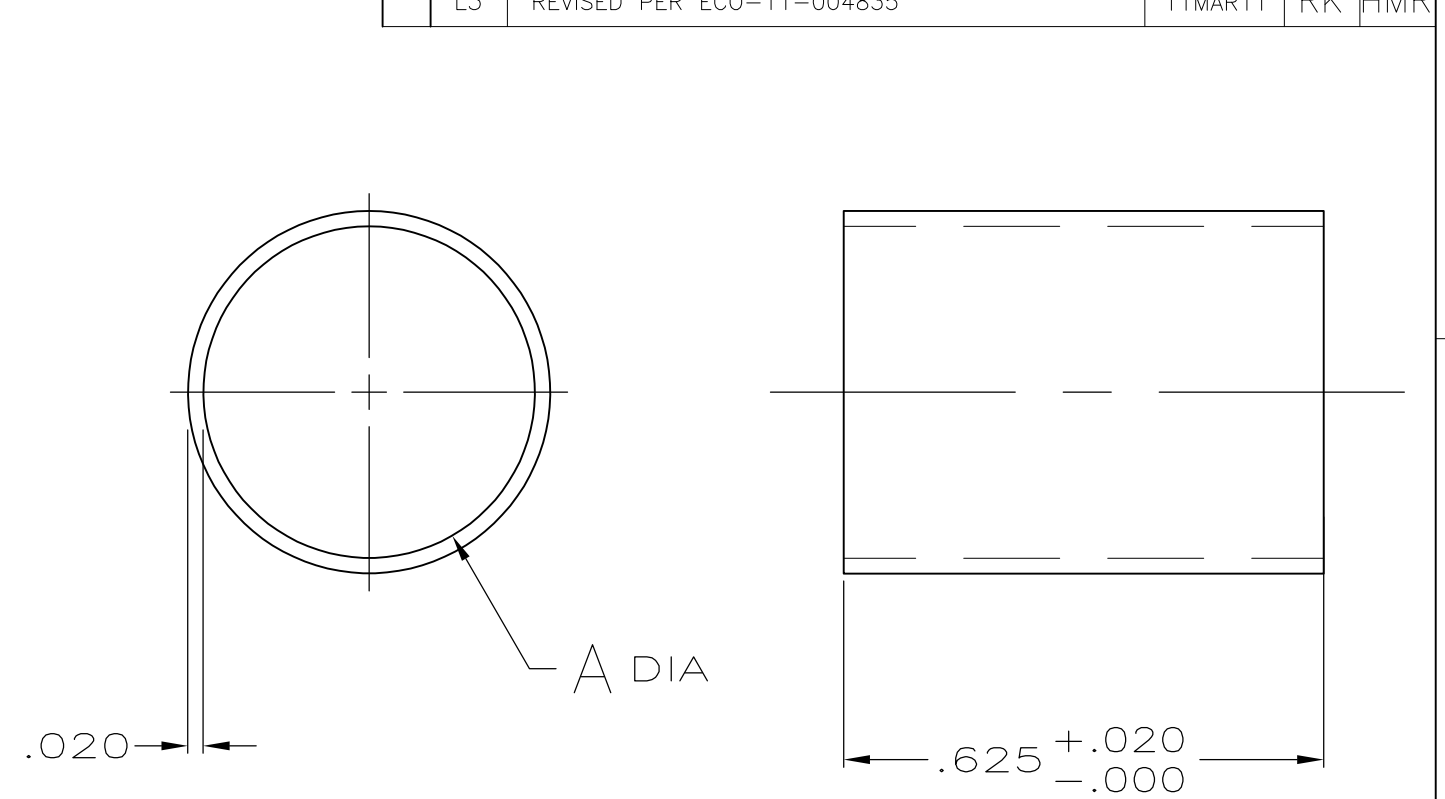


THIS DRAWING IS UNPUBLISHED. RELEASED FOR PUBLICATION
 © COPYRIGHT - By - ALL RIGHTS RESERVED.

LOC	DIST	REVISIONS					
GP	00	P	LTR	DESCRIPTION	DATE	DWN	APVD
		L3		REVISED PER ECO-11-004835	11MAR11	RK	HMR



STYLE I (STEPPED)



STYLE II (STRAIGHT)

① .000100 MIN BRIGHT TIN-LEAD OVER .000100 MIN COPPER.
 ② .000100 MIN BRIGHT TIN OVER .000100 MIN COPPER.

	②	I	.422-.490	.375	.490	3-747580-1	
	②	I	.230-.265	.375	.265	2-747580-4	
	②	I	.338-.385	.375	.385	2-747580-3	
	②	I I	.480-.562	-	.562	2-747580-2	
	②	I	.375-.432	.375	.432	2-747580-1	
OBSOLETE	①	I	.230-.265	.375	.265	1-747580-0	
OBSOLETE	①	I	.338-.385	.375	.385	747580-8	
OBSOLETE	①	I I	.480-.562	-	.562	747580-6	
OBSOLETE	①	I	.422-.490	.375	.490	747580-5	
OBSOLETE	①	I	.375-.432	.375	.432	747580-4	
		FINISH	STYLE	INSULATION RANGE DIA	B	A	PART NUMBER

THIS DRAWING IS A CONTROLLED DOCUMENT.		DWN B. MCMASTER 21MAY04	TE Connectivity			
DIMENSIONS: INCHES		CHK J. GERACE 21MAY04				
TOLERANCES UNLESS OTHERWISE SPECIFIED:		APVD M. WALMSLEY 21MAY04	NAME			
0 PLC ± - 1 PLC ± - 2 PLC ± - 3 PLC ± .005 4 PLC ± - ANGLES ± -		PRODUCT SPEC	OUTER FERRULE, SIZE 4 AND 5, AMPLIMITE SHIELDING HARDWARE			
MATERIAL: STEEL, ANNEALED		APPLICATION SPEC	SIZE	CAGE CODE	DRAWING NO	RESTRICTED TO
FINISH: SEE TABLE		WEIGHT: -	A3	00779	C-747580	-
CUSTOMER DRAWING			SCALE: 4:1	SHEET: 1 OF 1	REV: L3	

X-ON Electronics

Largest Supplier of Electrical and Electronic Components

Click to view similar products for [D-Sub Tools & Hardware](#) category:

Click to view products by [TE Connectivity](#) manufacturer:

Other Similar products are found below :

[000-01-09-132](#) [000-01-21-132](#) [000-01-31-162](#) [572019-00105-70](#) [000-01-37-162](#) [621-250-113-115](#) [D110550-2](#) [D20418-137](#) [780-518-50SG6-WS](#) [86552009](#) [86553115TLF](#) [86553117TLF](#) [1230032-1](#) [1-5021101-2](#) [15-000050](#) [1589283-4](#) [160-000-005R031](#) [16-000230](#) [160-025-004R031](#) [160-000-137R000](#) [160-020-209R000](#) [160X10909X](#) [164C03939A](#) [177-505-A-2-2](#) [1-966830-8](#) [21018-6](#) [21028-2](#) [2-1393560-9](#) [JS-1000](#) [L17D204182M3E](#) [L17D53018](#) [300X10779X](#) [160X10189X](#) [160X10419X](#) [162-000-050R000](#) [21018-5](#) [212561-3](#) [248C21550X](#) [CF15P](#) [QLOCKPOST-2](#) [D110277](#) [500-008NF1K-01](#) [500-008NF3R3KS-01](#) [500-017M09FN](#) [500-017M15MHN](#) [500-024M1](#) [500-068M3](#) [5-1393561-5](#) [C115373-0001](#) [C115373-0002](#)