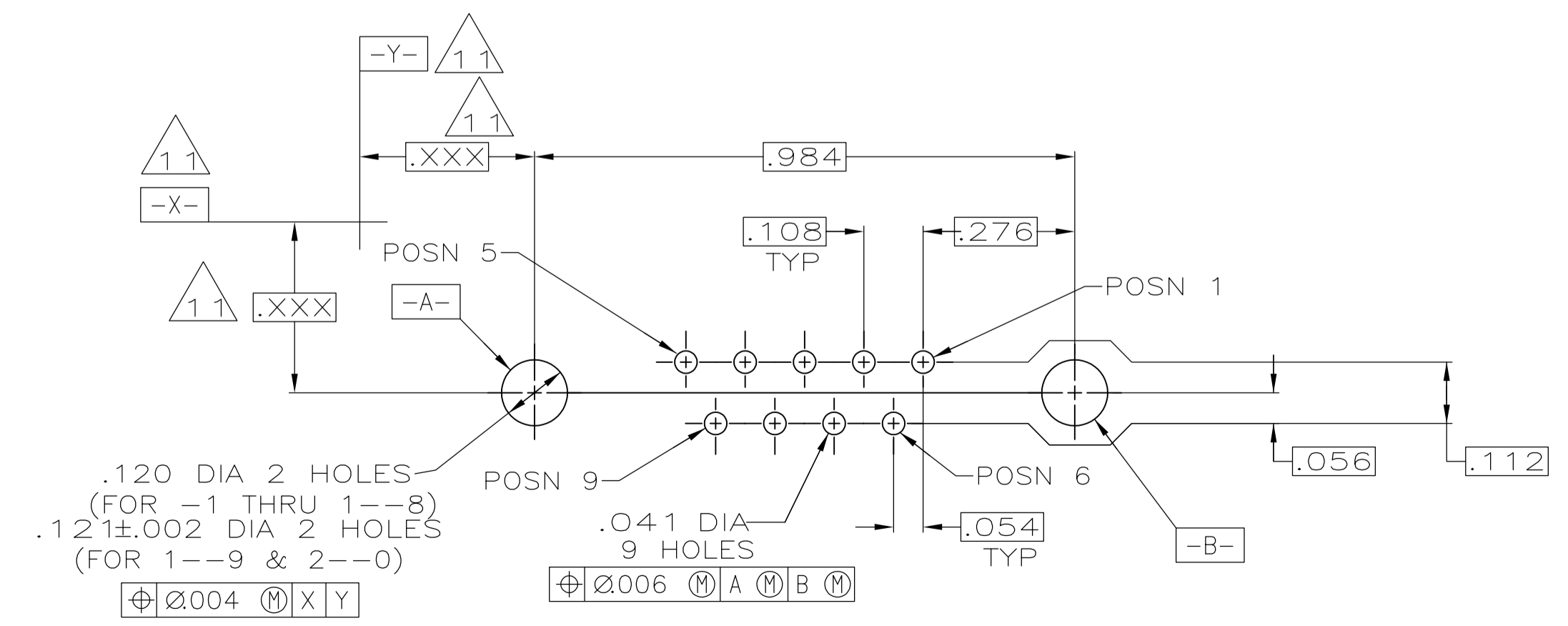
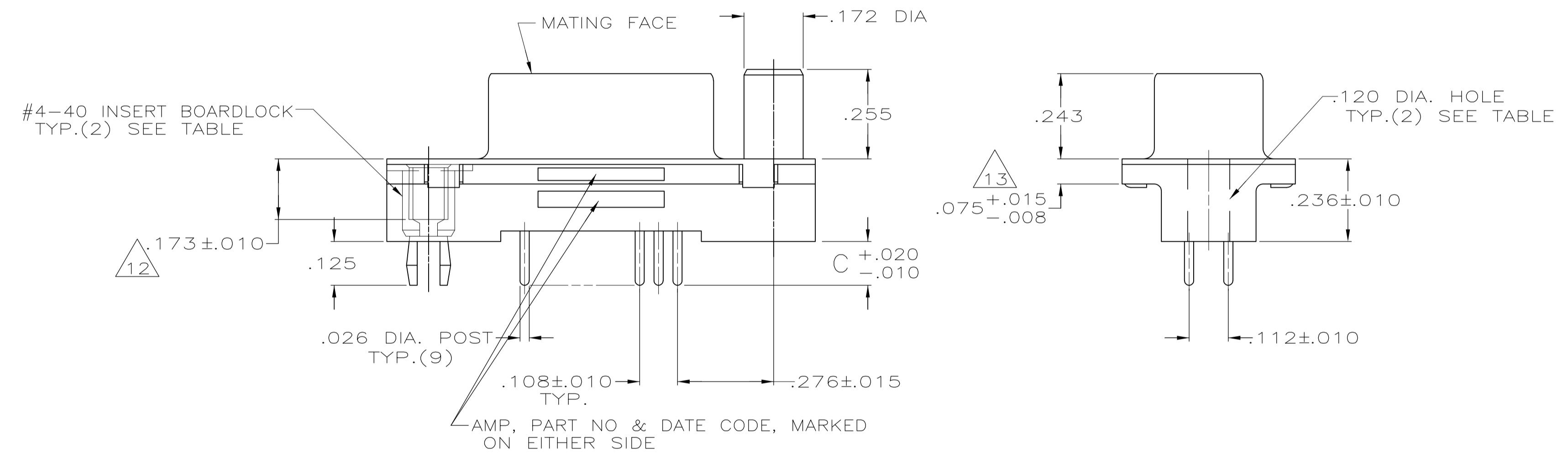
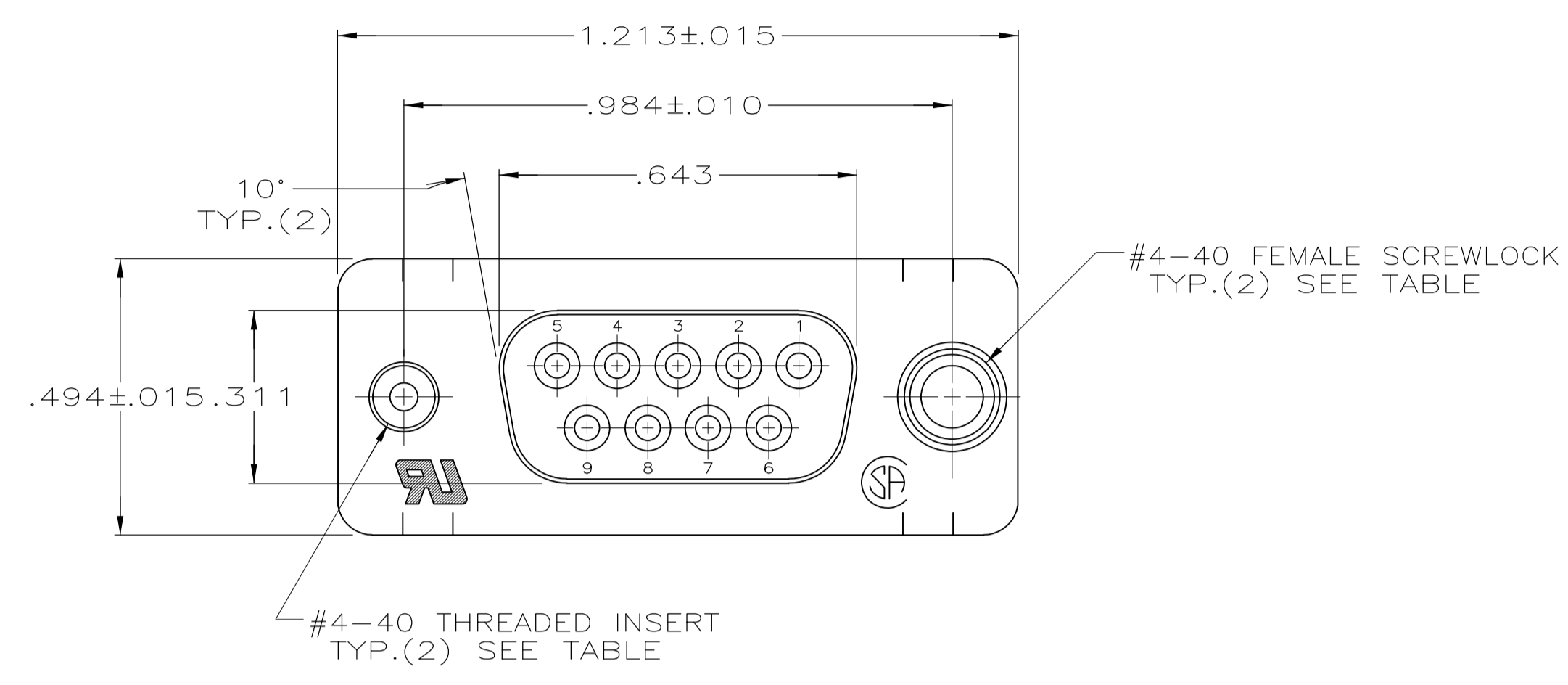


REVISIONS				
P	LTR	DESCRIPTION	DATE	BY
K		REVISED PER ECO-16-001548	24FEB2016	AP DG



PC BOARD MOUNTING DIMENSIONS
CONNECTOR SIDE OF BOARD
.062 PC BOARD THICKNESS

- 1 HOUSING: FLAME RETARDANT 94V-0 RATED THERMOPLASTIC; COLOR: BLACK.
- 2 SHELL: CARBON STEEL.
- 3 CONTACTS: PHOS. BRONZE.
- 4 INSERTS & BOARDLOCKS: BRASS, SCREWLOCKS: ZINC.
- 5. NOTE DELETED.
- 6 SHELL: .000200 MIN TIN OVER .000100 COPPER.
- 7 INSERTS & SCREWLOCKS: UNPLATED, BOARDLOCKS: TIN OVER COPPER.
- 8 CONTACTS: GOLD FLASH FOR LENGTH OF .100 MIN FROM MATING END, .000100-.000200 BRIGHT TIN OR BRIGHT TIN LEAD ON TERMINATION END, ALL OVER .000050 NICKEL ON ENTIRE CONTACT.
- 9 CONTACTS: .000030 GOLD FOR LENGTH OF .100 MIN FROM MATING END, .000100-.000200 BRIGHT TIN OR BRIGHT TIN LEAD ON TERMINATION END, ALL OVER .000050 NICKEL ON ENTIRE CONTACT.
- 10. NOTE DELETED.
- 11 DATUMS AND BASIC DIMENSIONS ESTABLISHED BY CUSTOMER.
- 12 RECOMMENDED SCREWLOCK IS 5747877-3 WITH RETENTION INSERTS.
- 13 .110 MAX IN SHELL TAB CLINCH AREAS.

REMARKS	CONTACT FINISH	C	PART NUMBER
WITH INSERT BOARDLOCKS	9	.125	2-747706-0
OBSOLETE	8	.125	1-747706-9
OBSOLETE	9	.250	1-747706-8
OBSOLETE	8	.250	1-747706-7
OBSOLETE	9	.170	1-747706-6
OBSOLETE	8	.170	1-747706-5
OBSOLETE	9	.125	1-747706-4
OBSOLETE	8	.125	1-747706-3
OBSOLETE	9	.250	1-747706-2
OBSOLETE	8	.250	1-747706-1
OBSOLETE	9	.170	1-747706-0
OBSOLETE	8	.170	747706-9
OBSOLETE	9	.125	747706-8
OBSOLETE	8	.125	747706-7
OBSOLETE	9	.250	747706-6
OBSOLETE	8	.250	747706-5
OBSOLETE	9	.170	747706-4
OBSOLETE	8	.170	747706-3
OBSOLETE	9	.125	747706-2
OBSOLETE	8	.125	747706-1

THIS DRAWING IS A CONTROLLED DOCUMENT.

DIMENSIONS: INCHES	TOLERANCES UNLESS OTHERWISE SPECIFIED:	DWG: S. WELDON 2-27-85	REV: J. GERACE 2-27-85	APPROVED: R. REAR/R. BRANDT 2-27-85	NAME: RECPTACLE ASSEMBLY, SIZE 1, 9 POS., VERTICAL, .026 DIA. DUPLEX PLATED	
0. PLC ± -	1. PLC ± -	2. PLC ± -	3. PLC ± .005	4. PLC ± -	ANGLES ± °	
MATERIAL	FINISH	WEIGHT	SIZE	CAGE CODE	DRAWING NO.	RESTRICTED TO
1 2 3 4	6 7 8 9	---	A1	00779	747706	---

CUSTOMER DRAWING SCALE NTS SHEET 1 OF 1 REV K

X-ON Electronics

Largest Supplier of Electrical and Electronic Components

Click to view similar products for [D-Sub Standard Connectors](#) category:

Click to view products by [TE Connectivity](#) manufacturer:

Other Similar products are found below :

[56F711-015](#) [012-9507-004](#) [LV242999-142T12](#) [015-0341-000](#) [015-0372-005](#) [015-0372-008](#) [015-8755-001](#) [020419-0104](#) [012-0467-000](#) [012-0515-000](#) [012-9507-034](#) [012-9507-114](#) [020745-0008](#) [609-25P](#) [M24308/2-23Z](#) [CT2-14S-2PCA34](#) [CT2-18-11PCAU](#) [CT2-36-15SC](#) [CT6-14S-2SC](#) [CT6E14SA7SC](#) [CT6E22-14PC](#) [CT6E22-14PS](#) [CT6E22-22PS](#) [M83513/01-FC](#) [M85049/48-3-2F](#) [6STD09PCM99B70X](#) [6STD09SCM99B30X](#) [6STD09SCT99S40X](#) [6STD15PCT99S40X](#) [6STD15SCM99B30X](#) [6STD15SCT99S40X](#) [6STF09PCM05B70X](#) [7-135760-9](#) [MC11E-10-6SN](#) [747552-3](#) [MD1-21PS](#) [MDM-15SCBRM7-F222](#) [MDM96517-699](#) [MDM96521-744](#) [MDVB1-21SL1](#) [MIK0-1-7SH003](#) [MIKQ6-7SH076](#) [MIKQ7-7PH077](#) [MIKQ7-7PH11](#) [MIKQ7-7PH32](#) [MJSV-28SL61](#) [MKJ4A1F14-55S](#) [8-135760-3](#) [8STD09PCM99B30X](#) [PG-KV/PV-16-GROM-SEALING](#)