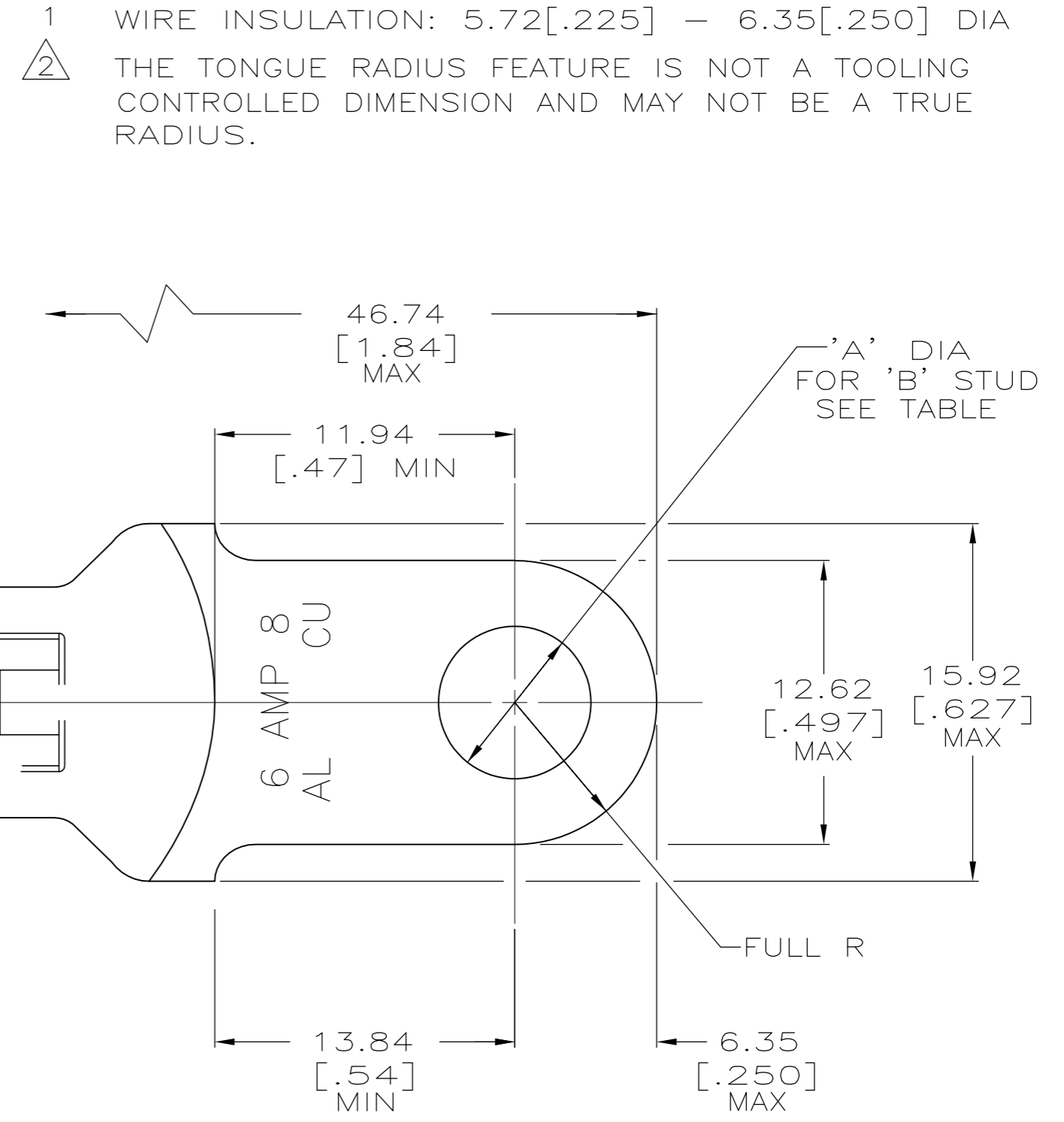
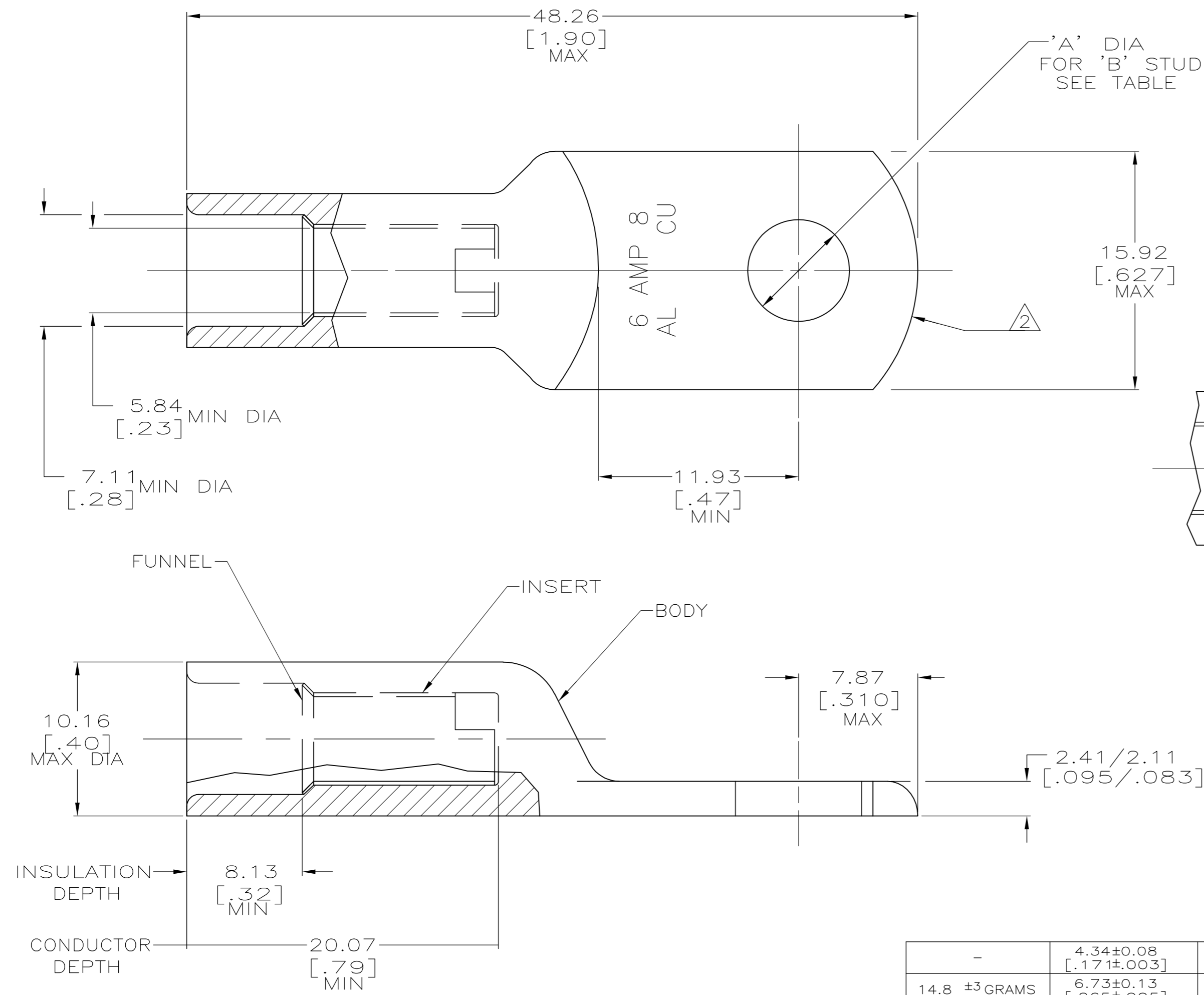


THIS DRAWING IS UNPUBLISHED. RELEASED FOR PUBLICATION  
 © COPYRIGHT - By - ALL RIGHTS RESERVED.

| REVISIONS |     |                       |  | DATE    | DWN | APVD |
|-----------|-----|-----------------------|--|---------|-----|------|
| P         | LTR | DESCRIPTION           |  |         |     |      |
| P         |     | REV PER ECO-15-002995 |  | 11MAR15 | KG  | PD   |



FOR 277148-6, -7, & -8 ONLY

| WEIGHT        | 'A'                      | 'B'  | MATERIAL & FINISH  | PART NO. |
|---------------|--------------------------|------|--|----------|
| -             | 4.34±0.08<br>[.171±.003] | #8   | BODY: COPPER ASTM-B187 ANNEALED<br>TIN PL MIL-T-10727 0.00457[.000150] MIN THK                                   | 277148-8 |
| 14.8 ±3 GRAMS | 6.73±0.13<br>[.265±.005] | 1/4  |  | 277148-7 |
| 15.2 ±3 GRAMS | 5.00±0.08<br>[.197±.003] | #10  | INSERT & FUNNEL: BRASS ASTM B36<br>NICKEL PL SAE AMS QQ-N-290A,<br>DATED JULY 2000,<br>0.00254 [.000100] MIN THK | 277148-6 |
| 17.0 ±3 GRAMS | 4.34±0.08<br>[.171±.003] | #8   |  | 277148-5 |
| 15.3 ±3 GRAMS | 9.91±0.13<br>[.390±.005] | 3/8  |  | 277148-4 |
| 16.2 ±3 GRAMS | 8.33±0.13<br>[.328±.005] | 5/16 |  | 277148-3 |
| -             | 6.73±0.13<br>[.265±.005] | 1/4  |  | 277148-2 |
| 16.8 ±3 GRAMS | 5.00±0.08<br>[.197±.003] | #10  |  | 277148-1 |

THIS DRAWING IS A CONTROLLED DOCUMENT.

|      |            |          |
|------|------------|----------|
| DWN  | DK SCHRUM  | 6/23/89  |
| CHK  | MS FEHER   | 10/16/90 |
| APVD | AJ KAUFMAN | 10/23/90 |

TE Connectivity

WIRE TERMINAL, RING TONGUE, SEALED COPALUM  
14.6mm<sup>2</sup> [6] ALUMINUM  
8.8mm<sup>2</sup> [8] COPPER

108-11011  
114-2134

SCALE 4:1 SHEET 1 of 1 REV P

## X-ON Electronics

Largest Supplier of Electrical and Electronic Components

*Click to view similar products for [Terminals](#) category:*

*Click to view products by [TE Connectivity](#) manufacturer:*

Other Similar products are found below :

[00-054007-01074-6](#) [00-054007-70206-1](#) [00-054007-70210-8](#) [00-054007-70217-7](#) [00-054007-70226-9](#) [00-054007-70228-3](#) [00-054007-70248-1](#) [00-054007-70256-6](#) [00-054007-70301-3](#) [00-054007-70316-7](#) [00-054007-49560-4](#) [00-054007-70209-2](#) [00-054007-70225-2](#) [00-054007-70227-6](#) [00-054007-70231-3](#) [00-054007-70241-2](#) [00-054007-70242-9](#) [00-054007-70244-3](#) [00-054007-70246-7](#) [00-054007-70263-4](#) [00-054007-70288-7](#) [00-054007-70290-0](#) [00-054007-70300-6](#) [00-054007-70304-4](#) [01-2065-1-0216](#) [01-2900-1-04412](#) [00581P0075](#) [600TS-10](#) [60205-1](#) [604200-1](#) [605601-1](#) [60598-1-CUT-TAPE](#) [61314-6-C](#) [61810-3](#) [61-S](#) [61-SN](#) [626-0194](#) [62-NBM-A](#) [62-SN](#) [62-SP](#) [63-S](#) [640179-1](#) [M55155/059I03](#) [M55155/079C01](#) [M55155/099H02](#) [M55155/109H01](#) [M55155/109H02](#) [M55155/12XH05](#) [M55155/16XH02](#) [M55155/29-5S](#)