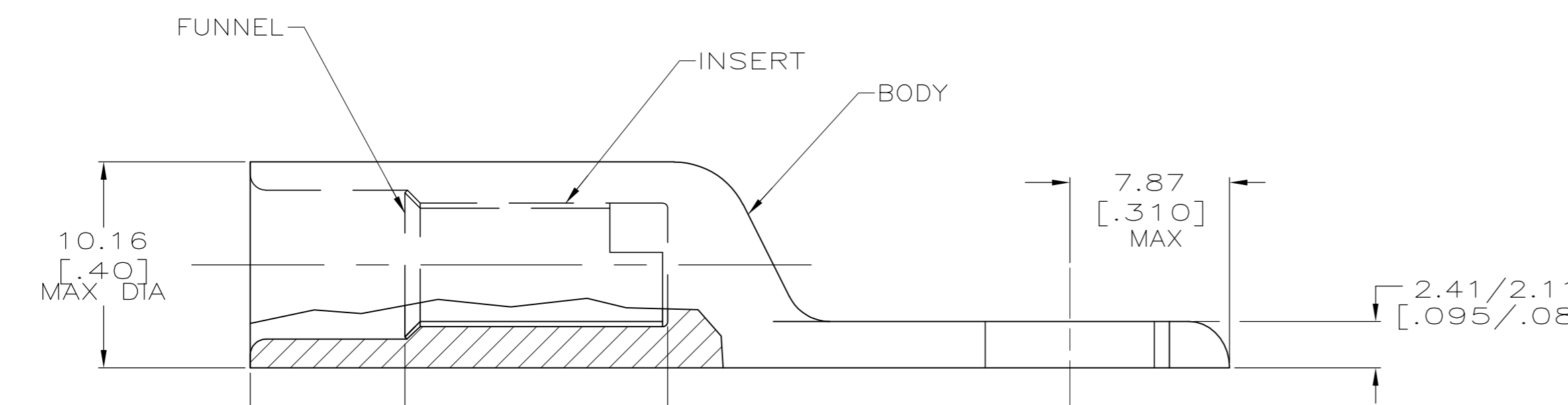
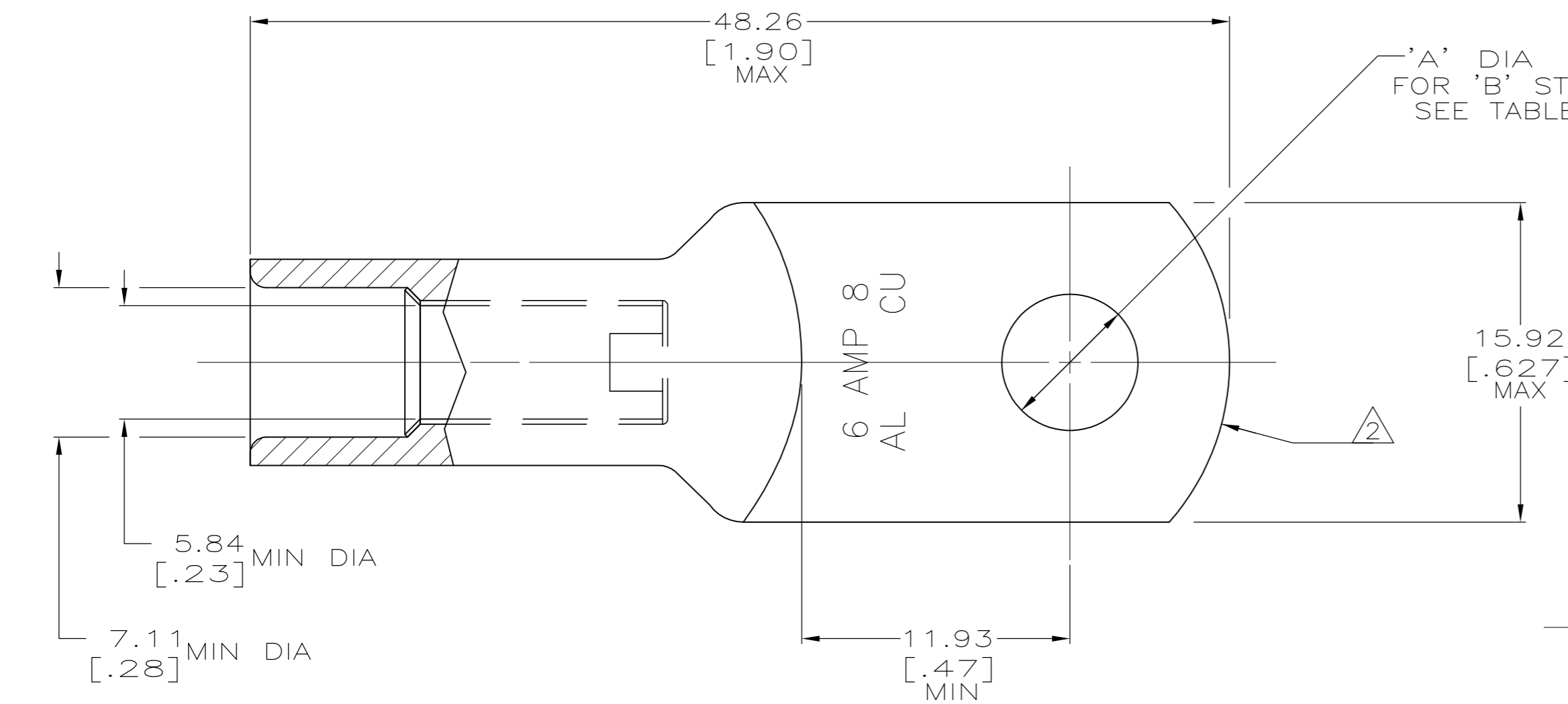


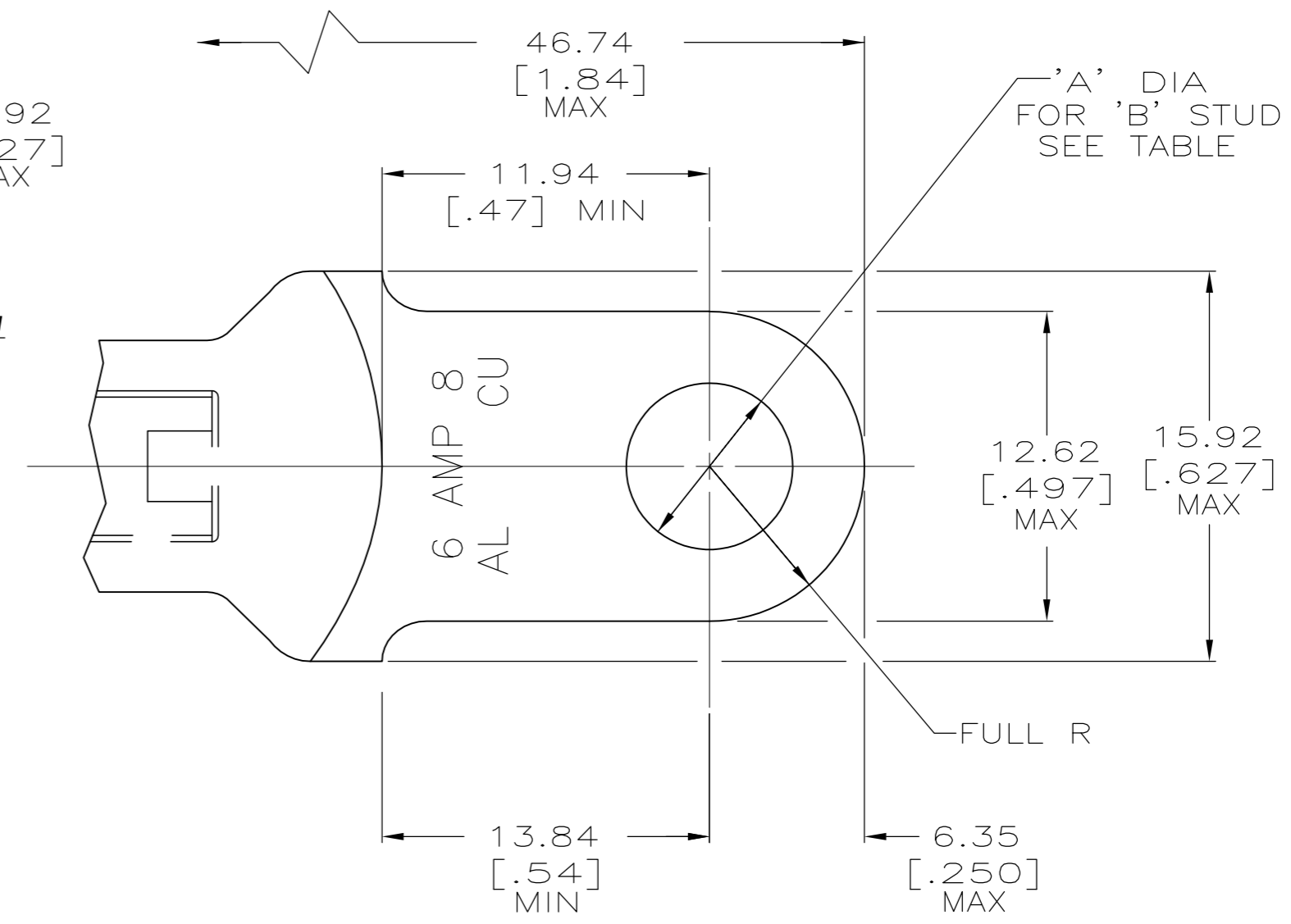
THIS DRAWING IS UNPUBLISHED. RELEASED FOR PUBLICATION
 © COPYRIGHT - By - ALL RIGHTS RESERVED.

REVISIONS				DATE	DWN	APVD
P	LTR	DESCRIPTION				
P		REV PER ECO-15-002995	11MAR15	KG	PD	



INSULATION DEPTH 8.13 [.32] MIN
 CONDUCTOR DEPTH 20.07 [.79] MIN

1 WIRE INSULATION: 5.72[.225] - 6.35[.250] DIA
 2 THE TONGUE RADIUS FEATURE IS NOT A TOOLING CONTROLLED DIMENSION AND MAY NOT BE A TRUE RADIUS.



FOR 277148-6, -7, & -8 ONLY

WEIGHT	'A'	'B'	MATERIAL & FINISH	PART NO.
-	4.34±0.08 [.171±.003]	#8	BODY: COPPER ASTM-B187 ANNEALED TIN PL MIL-T-10727 0.00457[.000150] MIN THK	277148-8
14.8 ±3 GRAMS	6.73±0.13 [.265±.005]	1/4		277148-7
15.2 ±3 GRAMS	5.00±0.08 [.197±.003]	#10	INSERT & FUNNEL: BRASS ASTM B36 NICKEL PL SAE AMS QQ-N-290A, DATED JULY 2000, 0.00254 [.000100] MIN THK	277148-6
17.0 ±3 GRAMS	4.34±0.08 [.171±.003]	#8		277148-5
15.3 ±3 GRAMS	9.91±0.13 [.390±.005]	3/8		277148-4
16.2 ±3 GRAMS	8.33±0.13 [.328±.005]	5/16		277148-3
-	6.73±0.13 [.265±.005]	1/4		277148-2
16.8 ±3 GRAMS	5.00±0.08 [.197±.003]	#10		277148-1

THIS DRAWING IS A CONTROLLED DOCUMENT.

DWN DK SCHRUM 6/23/89	TE Connectivity WIRE TERMINAL, RING TONGUE, SEALED COPALUM 14.6mm2 [6] ALUMINUM 8.8mm2 [8] COPPER				
CHK MS FEHER 10/16/90					
APVD AJ KAUFMAN 10/23/90					
PRODUCT SPEC 108-11011					
APPLICATION SPEC 114-2134	SIZE A2	CAGE CODE 00779	DRAWING NO C-277148	RESTRICTED TO -	
MATERIAL SEE TABLE	FINISH SEE TABLE	WEIGHT SEE TABLE	SCALE 4:1	SHEET 1 of 1	REV P

CUSTOMER DRAWING

X-ON Electronics

Largest Supplier of Electrical and Electronic Components

Click to view similar products for [Terminals](#) category:

Click to view products by [TE Connectivity](#) manufacturer:

Other Similar products are found below :

[00-054007-01074-6](#) [00-054007-70206-1](#) [00-054007-70210-8](#) [00-054007-70217-7](#) [00-054007-70226-9](#) [00-054007-70228-3](#) [00-054007-70248-1](#) [00-054007-70256-6](#) [00-054007-70301-3](#) [00-054007-70316-7](#) [00-054007-49560-4](#) [00-054007-70209-2](#) [00-054007-70225-2](#) [00-054007-70227-6](#) [00-054007-70231-3](#) [00-054007-70241-2](#) [00-054007-70242-9](#) [00-054007-70244-3](#) [00-054007-70246-7](#) [00-054007-70263-4](#) [00-054007-70288-7](#) [00-054007-70290-0](#) [00-054007-70300-6](#) [00-054007-70304-4](#) [01-2065-1-0216](#) [01-2900-1-04412](#) [00581P0075](#) [600TS-10](#) [60205-1](#) [604200-1](#) [605601-1](#) [60598-1-CUT-TAPE](#) [61314-6-C](#) [61810-3](#) [61-S](#) [61-SN](#) [626-0194](#) [62-NBM-A](#) [62-SN](#) [62-SP](#) [63-S](#) [640179-1](#) [M55155/059I03](#) [M55155/079C01](#) [M55155/099H02](#) [M55155/109H01](#) [M55155/109H02](#) [M55155/12XH05](#) [M55155/16XH02](#) [M55155/29-5S](#)