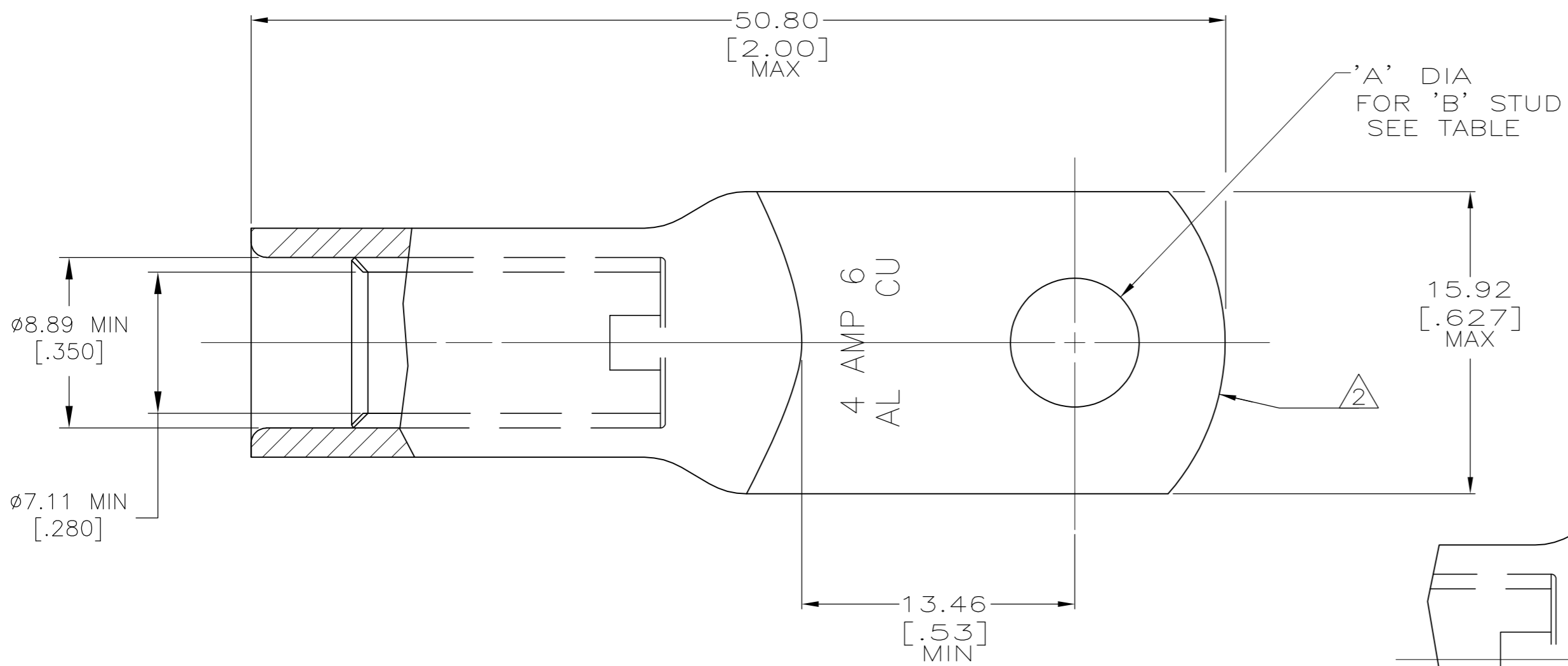
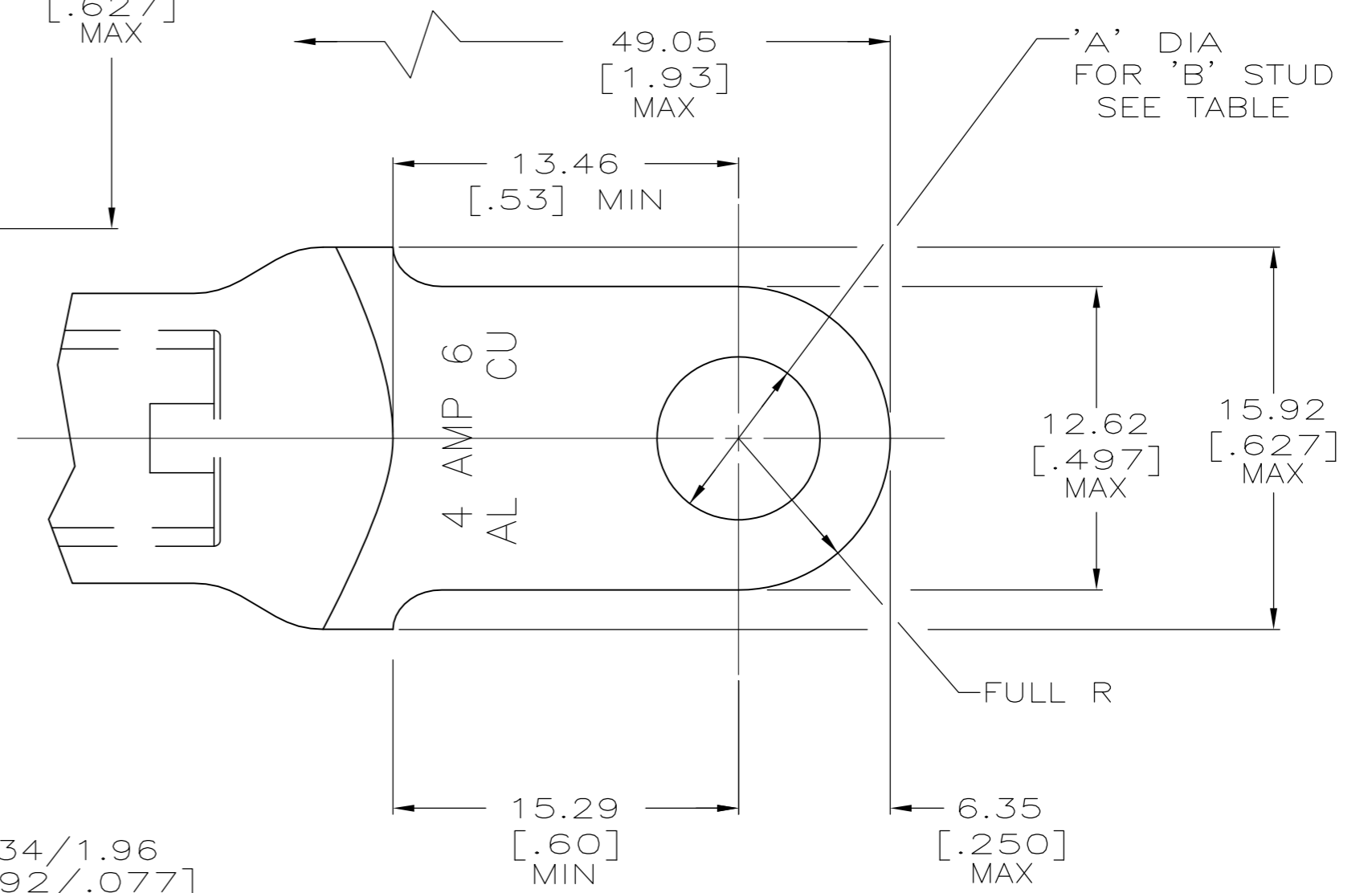


THIS DRAWING IS UNPUBLISHED. RELEASED FOR PUBLICATION
 © COPYRIGHT - By - ALL RIGHTS RESERVED.

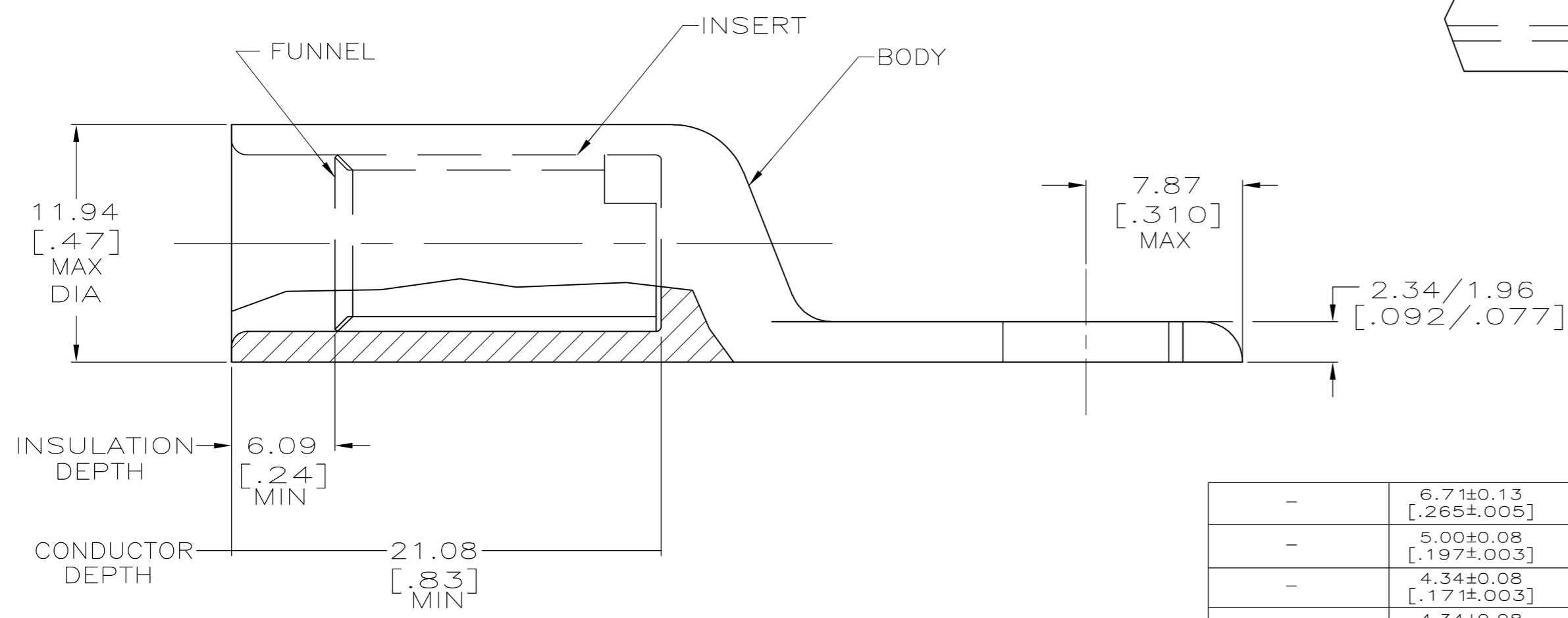
LOC		DIST		REVISIONS			
P	LTR	DESCRIPTION	DATE	DWN	APVD		
L		REV PER ECO 15-002994	2-25-15	CT	PD		



- 1 WIRE INSULATION: 7.01[.276] - 7.75[.305] DIA
- 2 THE TONGUE RADIUS FEATURE IS NOT A TOOLING CONTROLLED DIMENSION AND MAY NOT BE A TRUE RADIUS.
- 3 TERMINAL ALSO ACCEPTS #3 AWG (27MM2) ALUMINUM WIRE PER EUROPEAN REQUIREMENT EN3373 AND TEST REPORT 425E/90.



FOR 277149-6, -7, & -8 ONLY



WEIGHT	'A'	'B'	MATERIAL & FINISH	PART NO.
-	6.71±0.13 [.265±.005]	1/4	BODY: COPPER ASTM-B187 ANNEALED TIN PL MIL-T-10727 0.00381[.000150] MIN THK INSERT & FUNNEL: BRASS ASTM B36 NICKEL PL SAE AMS QQ-N-290A, DATED JULY 2000, 0.00254 [.000100] MIN THK	277149-8
-	5.00±0.08 [.197±.003]	#10		277149-7
-	4.34±0.08 [.171±.003]	#8		277149-6
-	4.34±0.08 [.171±.003]	#8		277149-5
18.5 GRAMS	9.91±0.13 [.390±.005]	3/8		277149-4
18.9 GRAMS	8.33±0.13 [.328±.005]	5/16	277149-3	
19.4 GRAMS	6.71±0.13 [.265±.005]	1/4	277149-2	
19.8 GRAMS	5.00±0.08 [.197±.003]	#10	277149-1	

THIS DRAWING IS A CONTROLLED DOCUMENT.

DWN	DK SCHRUM	6/23/89		TE Connectivity WIRE TERMINAL, COPALUM SEALED, RING TONGUE, WIRE SIZE [4] AL OR [6] COPPER					
CHK	MS FEHER	10/16/90							
APVD	WJ VOCKROTH	10/16/90							
PRODUCT SPEC	108-11011								
APPLICATION SPEC	114-2134		SIZE	CAGE CODE	DRAWING NO	RESTRICTED TO			
MATERIAL	SEE TABLE	FINISH	SEE TABLE	A2	00779	C=277149	-		
DIMENSIONS: MM [INCHES]			TOLERANCES UNLESS OTHERWISE SPECIFIED:		CUSTOMER DRAWING		SCALE	SHEET	REV
0 PLC ± -			1 PLC ± -		2 PLC ± -		4:1	1 of 1	L
3 PLC ± -			4 PLC ± -		ANGLES ± -				

X-ON Electronics

Largest Supplier of Electrical and Electronic Components

Click to view similar products for [Terminals](#) category:

Click to view products by [TE Connectivity](#) manufacturer:

Other Similar products are found below :

[00-054007-01074-6](#) [00-054007-70206-1](#) [00-054007-70210-8](#) [00-054007-70217-7](#) [00-054007-70226-9](#) [00-054007-70228-3](#) [00-054007-70248-1](#) [00-054007-70256-6](#) [00-054007-70301-3](#) [00-054007-70316-7](#) [00-054007-49560-4](#) [00-054007-70209-2](#) [00-054007-70225-2](#) [00-054007-70227-6](#) [00-054007-70231-3](#) [00-054007-70241-2](#) [00-054007-70242-9](#) [00-054007-70244-3](#) [00-054007-70246-7](#) [00-054007-70263-4](#) [00-054007-70288-7](#) [00-054007-70290-0](#) [00-054007-70300-6](#) [00-054007-70304-4](#) [01-2065-1-0216](#) [01-2900-1-04412](#) [00581P0075](#) [600TS-10](#) [60205-1](#) [604200-1](#) [605601-1](#) [60598-1-CUT-TAPE](#) [61314-6-C](#) [61810-3](#) [61-S](#) [61-SN](#) [626-0194](#) [62-NBM-A](#) [62-SN](#) [62-SP](#) [63-S](#) [640179-1](#) [M55155/059I03](#) [M55155/079C01](#) [M55155/099H02](#) [M55155/109H01](#) [M55155/109H02](#) [M55155/12XH05](#) [M55155/16XH02](#) [M55155/29-5S](#)