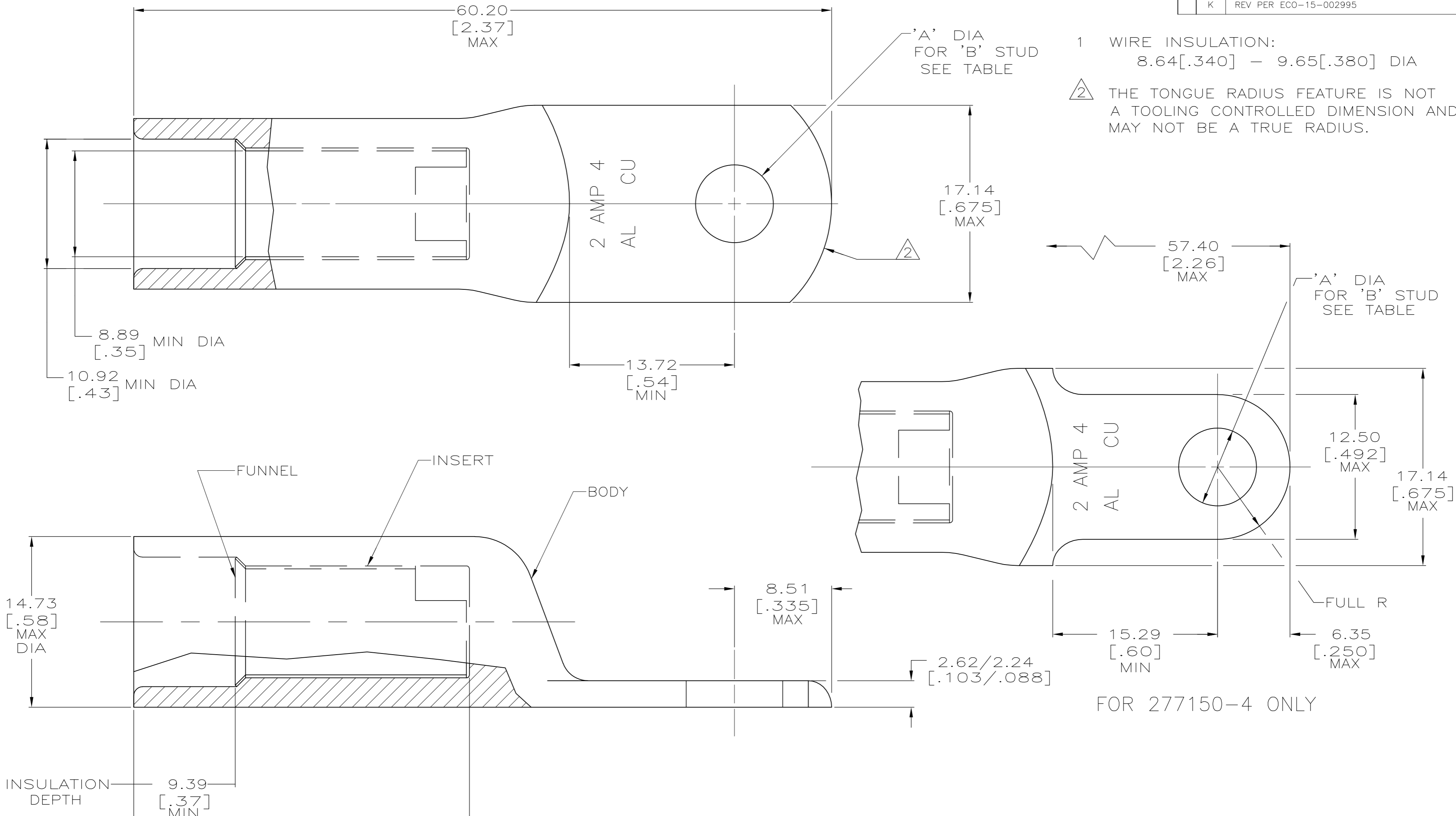


THIS DRAWING IS UNPUBLISHED. RELEASED FOR PUBLICATION  
 © COPYRIGHT - By - ALL RIGHTS RESERVED.

REVISIONS				DATE	DWN	APVD
LOC	DIST	P	LTR	DESCRIPTION		
-	-	K		REV PER ECO-15-002995	11MAR15	KG PD



- 1 WIRE INSULATION: 8.64[.340] - 9.65[.380] DIA
- △ THE TONGUE RADIUS FEATURE IS NOT A TOOLING CONTROLLED DIMENSION AND MAY NOT BE A TRUE RADIUS.

WEIGHT	'A'	'B'	MATERIAL & FINISH	PART NO.
34.0 ±3GRAMS	6.73±0.13 [.265±.005]	1/4	BODY: COPPER ASTM-B187 ANNEALED TIN PL MIL-T-10727 0.00381[.000150] MIN THK INSERT & FUNNEL: BRASS ASTM B36 NICKEL PL SAE AMS QQ-N-290A, DATED JULY 2000, 0.00254 [.000100] MIN THK	277150-4
35.5 ±3GRAMS	9.91±0.13 [.390±.005]	3/8		277150-3
36.0 ±3GRAMS	8.33±0.13 [.328±.005]	5/16		277150-2
	6.73±0.13 [.265±.005]	1/4		277150-1

THIS DRAWING IS A CONTROLLED DOCUMENT.

DWN DK SCHRUM 6/23/89	 TE Connectivity	WIRE TERMINAL, RING TONGUE, SEALED COPALUM, 35.0mm [2] ALUMINUM 22.0mm [4] COPPER		
CHK MS FEHER 10/16/90				
APVD AJ KAUFMAN 10/23/90				
PRODUCT SPEC 108-11011				
APPLICATION SPEC 114-2134	SIZE A2	CAGE CODE 00779	DRAWING NO C-277150	RESTRICTED TO -
MATERIAL SEE TABLE	WEIGHT SEE TABLE	CUSTOMER DRAWING		SCALE 4:1
TOLERANCES UNLESS OTHERWISE SPECIFIED:		SCALE 4:1		SHEET 1 of 1
0 PLC ± -	SCALE 4:1		REV K	
1 PLC ± -	SCALE 4:1		REV K	
2 PLC ± -	SCALE 4:1		REV K	
3 PLC ± -	SCALE 4:1		REV K	
4 PLC ± -	SCALE 4:1		REV K	
ANGLES ± -	SCALE 4:1		REV K	
FINISH SEE TABLE	SCALE 4:1		REV K	

## X-ON Electronics

Largest Supplier of Electrical and Electronic Components

*Click to view similar products for [Terminals](#) category:*

*Click to view products by [TE Connectivity](#) manufacturer:*

Other Similar products are found below :

[00-054007-01074-6](#) [00-054007-70206-1](#) [00-054007-70210-8](#) [00-054007-70217-7](#) [00-054007-70226-9](#) [00-054007-70228-3](#) [00-054007-70248-1](#) [00-054007-70256-6](#) [00-054007-70301-3](#) [00-054007-70316-7](#) [0-0320562-0](#) [00-054007-49560-4](#) [00-054007-70209-2](#) [00-054007-70225-2](#) [00-054007-70227-6](#) [00-054007-70231-3](#) [00-054007-70241-2](#) [00-054007-70242-9](#) [00-054007-70244-3](#) [00-054007-70246-7](#) [00-054007-70263-4](#) [00-054007-70288-7](#) [00-054007-70290-0](#) [00-054007-70300-6](#) [00-054007-70304-4](#) [01-2065-1-0216](#) [01-2900-1-04412](#) [00581P0075](#) [600TS-10](#) [60205-1](#) [604200-1](#) [605601-1](#) [60598-1-CUT-TAPE](#) [61314-6-C](#) [61810-3](#) [61-S](#) [61-SN](#) [626-0194](#) [62-NBM-A](#) [62-SN](#) [62-SP](#) [63-S](#) [640179-1](#) [M55155/059I03](#) [M55155/079C01](#) [M55155/099H02](#) [M55155/109H01](#) [M55155/109H02](#) [M55155/12XH05](#) [M55155/16XH02](#)