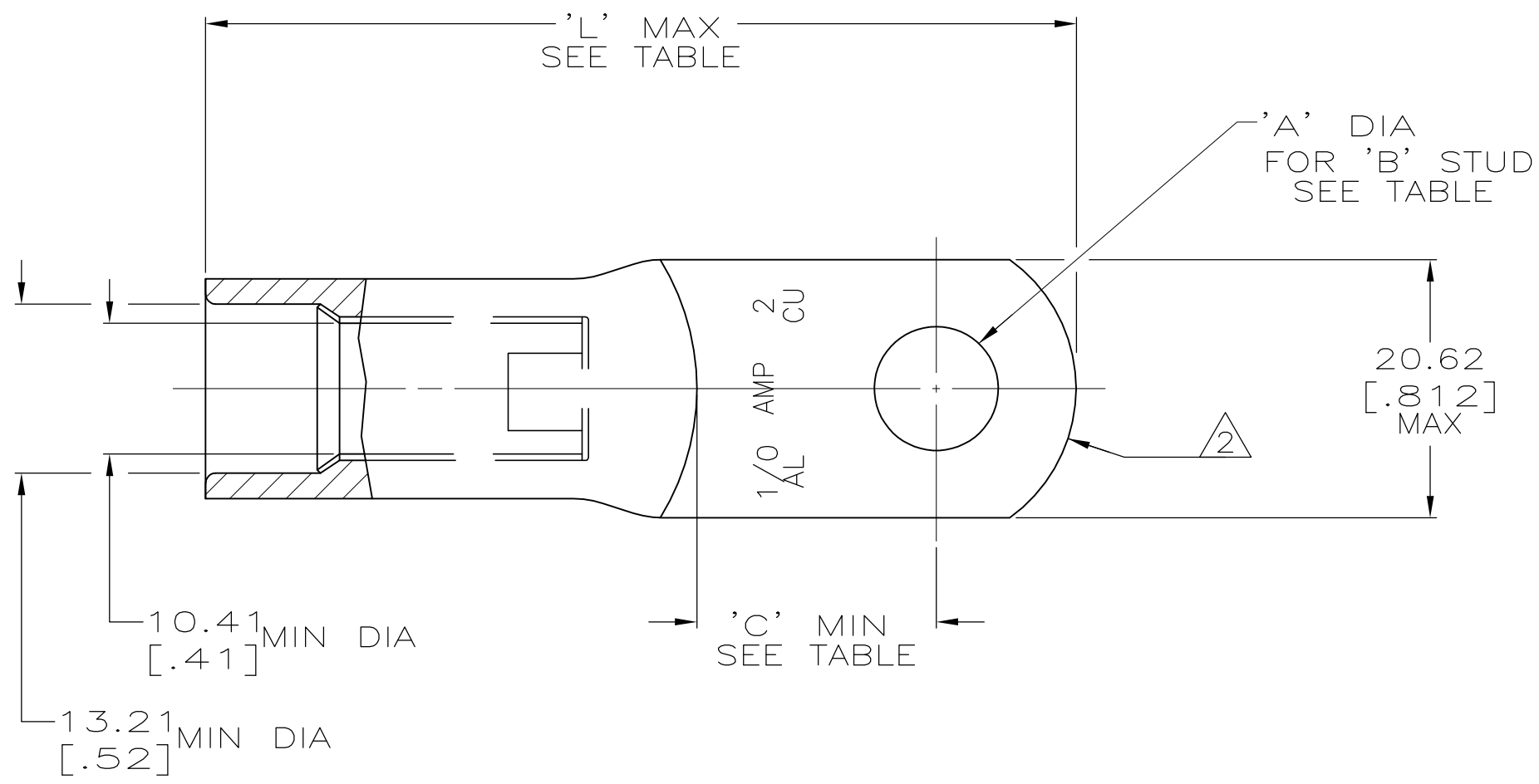
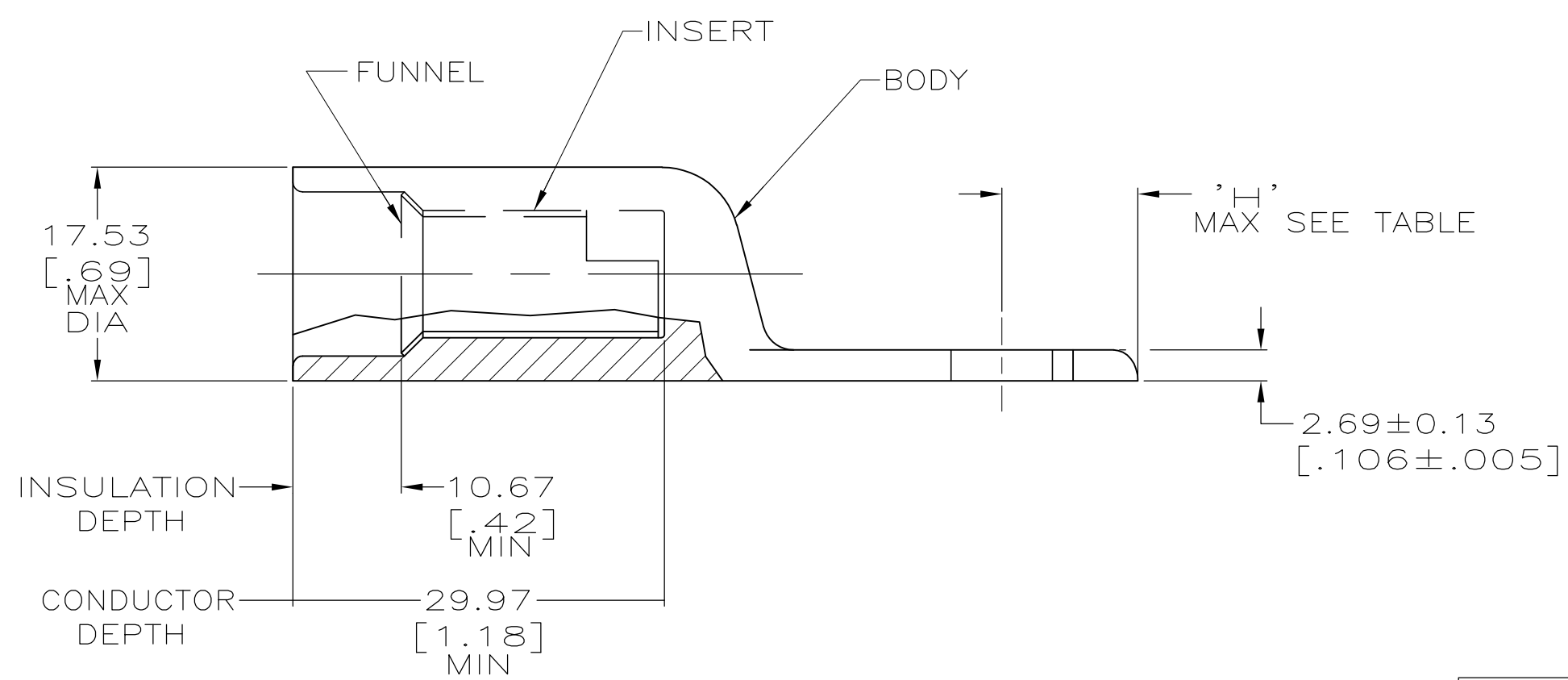


THIS DRAWING IS UNPUBLISHED. RELEASED FOR PUBLICATION  
 © COPYRIGHT - By - ALL RIGHTS RESERVED.

| LOC |     | DIST                  |  | REVISIONS |     |      |  |
|-----|-----|-----------------------|--|-----------|-----|------|--|
| P   | LTR | DESCRIPTION           |  | DATE      | DWN | APVD |  |
|     | R   | REV PER ECO-15-002995 |  | 11MAR15   | KG  | PD   |  |



- 1 WIRE INSULATION: 10.79[.425] - 11.94[.470] DIA
- 2 THE TONGUE RADIUS FEATURE IS NOT A TOOLING CONTROLLED DIMENSION AND MAY NOT BE A TRUE RADIUS.



|          | WEIGHT       | 'A'                    | 'B'            | 'L'         | 'C'        | 'H'         | MATERIAL & FINISH  | PART NO. |
|----------|--------------|------------------------|----------------|-------------|------------|-------------|--|----------|
|          | -            | 8.33[.328]             | 5/16           | 63.75[2.51] | 12.45[.49] | 10.18[.401] | BODY: COPPER ASTM-B187 ANNEALED<br>TIN PL PER MIL-T-10727<br>0.00381[.000150] MIN THK                            | 277151-7 |
| OBSOLETE | -            | <del>13.08[.515]</del> | <del>1/2</del> | 69.34[2.73] | 16.76[.66] | 11.38[.448] |  | 277151-6 |
|          | 57.0±5 GRAMS | 6.73[.265]             | 1/4            |             |            |             |  | 277151-5 |
| OBSOLETE | -            | <del>13.08[.515]</del> | <del>1/2</del> | 63.75[2.51] | 12.45[.49] | 10.18[.401] | INSERT & FUNNEL: BRASS ASTM B36<br>NICKEL PL SAE AMS QQ-N-290A,<br>DATED JULY 2000,<br>0.00254 [.000100] MIN THK | 277151-4 |
|          | 54.0±5 GRAMS | 6.73[.265]             | 1/4            |             |            |             |  | 277151-3 |
|          | 56.0±5 GRAMS | 9.91[.390]             | 3/8            | 69.34[2.73] | 16.76[.66] | 11.38[.448] |  | 277151-2 |
|          | 53.0±5 GRAMS |                        |                | 63.75[2.51] | 12.45[.49] | 10.18[.401] |  | 277151-1 |

THIS DRAWING IS A CONTROLLED DOCUMENT.

|                           |                  |  |                     |
|---------------------------|------------------|--|---------------------|
| DWN DK SCHRUM 6/23/89     |                  | TE Connectivity                            |                     |
| CHK MS FEHER 10/16/90     |                  | WIRE TERMINAL, RING TONGUE, SEALED COPALUM |                     |
| APVD AJ KAUFMAN 10/23/90  |                  | 55.5mm2 [1/0] ALUMINUM                     |                     |
| PRODUCT SPEC 108-11011    |                  | 34.3mm2 [2] COPPER                         |                     |
| APPLICATION SPEC 114-2134 | SIZE A2          | CAGE CODE 00779                            | DRAWING NO C-277151 |
| MATERIAL SEE TABLE        | WEIGHT SEE TABLE | SCALE 2:1                                  | SHEET 1 of 1        |
| FINISH SEE TABLE          | CUSTOMER DRAWING | REV R                                      |                     |

## X-ON Electronics

Largest Supplier of Electrical and Electronic Components

*Click to view similar products for [Terminals](#) category:*

*Click to view products by [TE Connectivity](#) manufacturer:*

Other Similar products are found below :

[HT-13-10](#) [71M-250-32-NB](#) [01-2065-1-0216](#) [00581P0075](#) [M10-10RX](#) [M10BCK](#) [60205-1](#) [604200-1](#) [60598-1-CUT-TAPE](#) [60617-1-C](#) [60873-1](#) [M14-516R/SK](#) [M14-6RSX](#) [M18-8FBX](#) [M18-8R/LX](#) [M18BCK](#) [61314-6-C](#) [61-S](#) [61-SN-A](#) [62-NBM-A](#) [63-S](#) [640179-1](#) [640917-2-CUT-TAPE](#) [6501550002](#) [66107-2-C](#) [696683-1](#) [696834-1](#) [696861-1](#) [696931-1](#) [696999-1](#) [M8-516RK](#) [M86700006](#) [MA250DMFMX-A](#) [701-2007](#) [701-2307](#) [701-7761-03](#) [70F-110-32-PB](#) [718-N-A](#) [71M-187-20-NBL](#) [71M-250-32-NBL](#) [72F-187-20-NBL](#) [72M-250-32-NBL](#) [7310](#) [73F-250-32](#) [73F-250-32-NL](#) [F14-10C](#) [F-1M](#) [751-250](#) [76650-5002](#) [76828-149](#)