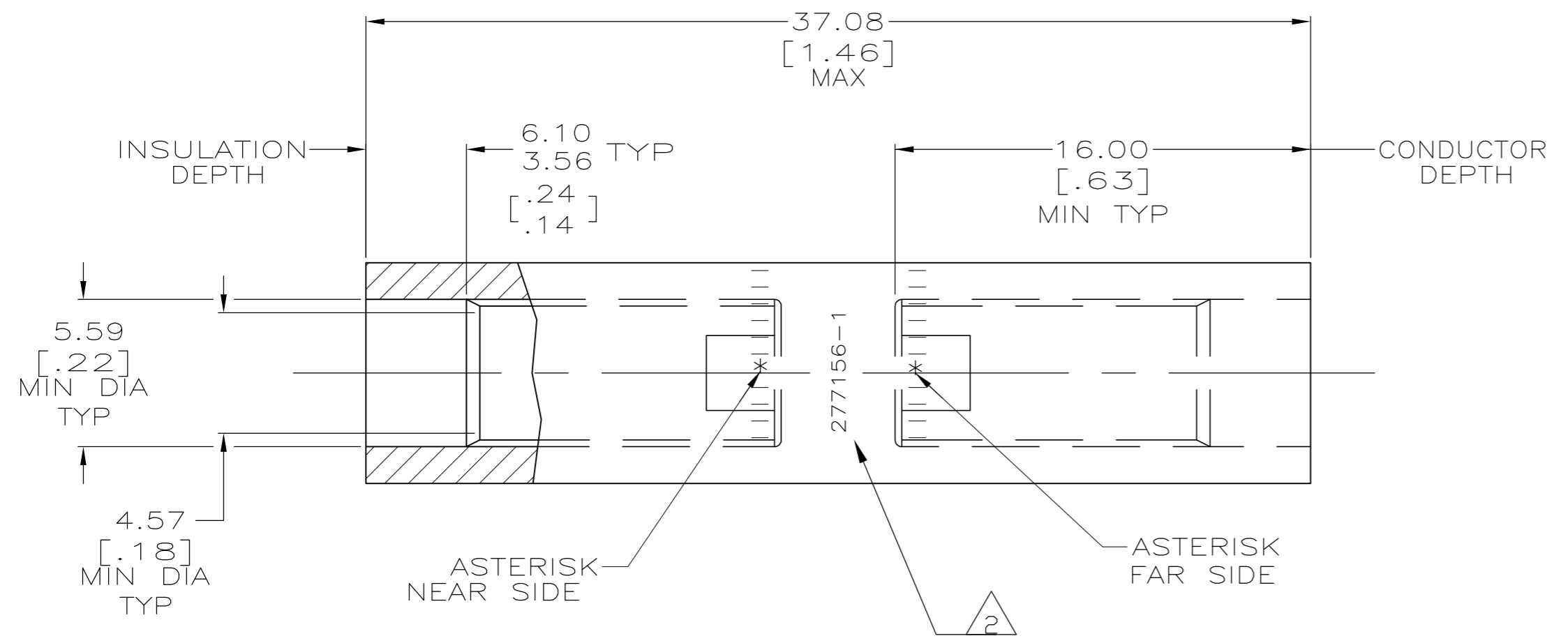
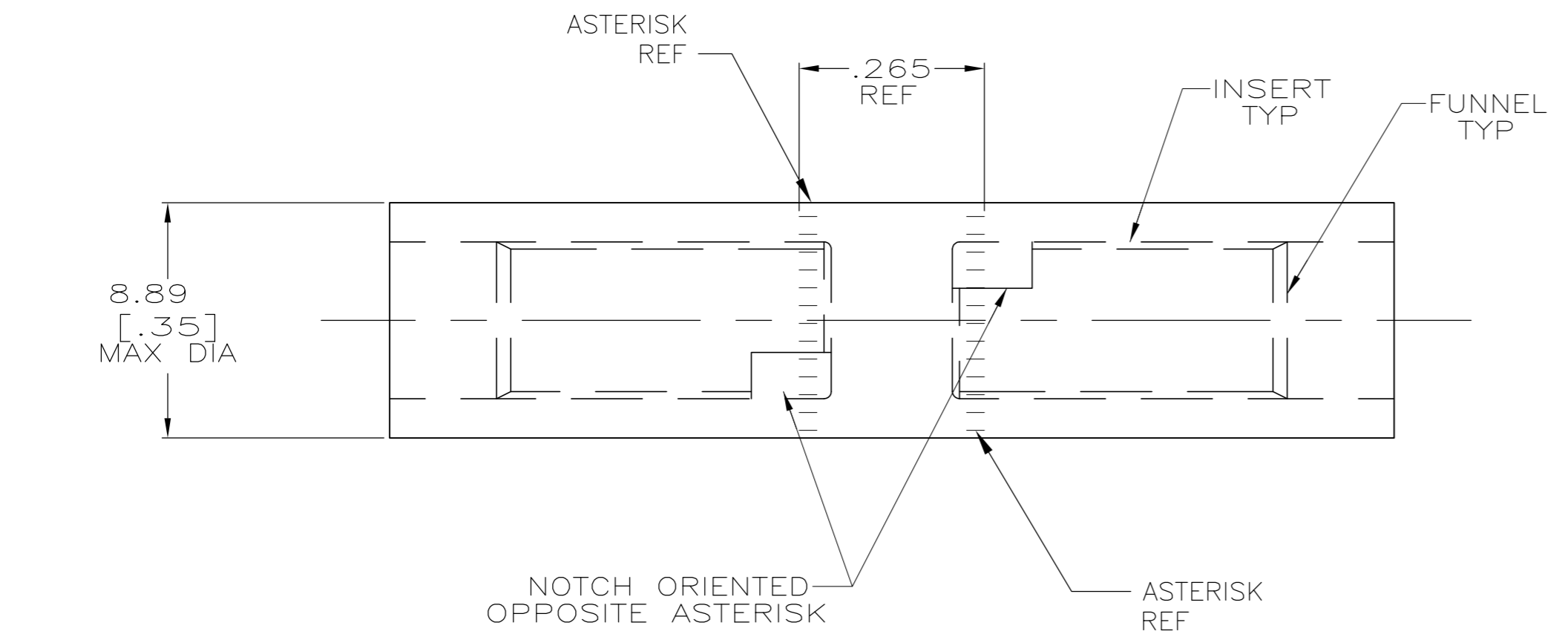


THIS DRAWING IS UNPUBLISHED. RELEASED FOR PUBLICATION  
 © COPYRIGHT - By - ALL RIGHTS RESERVED.

LOC		DIST		REVISIONS			
P	LTR	DESCRIPTION		DATE	DWN	APVD	
P		REV PER ECO-11-008916		13MAY11	PY	BW	



1 WIRE INSULATION: 4.62[.182] - 5.08[.200] DIA  
 2 STAMP "277156-1 AMP 8AL-10CU"  
 LOCATE APPROX AS SHOWN



SPLICE: COPPER ASTM B-187  
 TIN PL. PER ASTM B 545 0.00381 [.000150] MIN THK  
INSERT & FUNNEL: BRASS ASTM B36  
 NICKEL PL SAE AMS QQ-N-290A,  
 DATED JULY 2000,  
 0.00254 [.000100] MIN THK

277156-1

THIS DRAWING IS A CONTROLLED DOCUMENT.		DWN DK SCHRUM 7/5/89	<b>TE</b> TE Connectivity	
DIMENSIONS: MM [ INCHES ]		CHK MS FEHER 5/1/90		
TOLERANCES UNLESS OTHERWISE SPECIFIED:		APVD MJ SPICER 5/1/90	NAME	
0 PLC ± -		PRODUCT SPEC	WIRE SPLICE, BUTT, COPALUM, SEALED,	
1 PLC ± -		108-11011	4.8mm2 [10] COPPER	
2 PLC ± -		APPLICATION SPEC	8.6mm2 [8] ALUMINUM	
3 PLC ± -		114-2134	SIZE	CAGE CODE
4 PLC ± -		FINISH	WEIGHT 10.2 GRAMS	DRAWING NO
ANGLES ± -		SEE TABLE	10.2 GRAMS	A2 00779 C=277156
MATERIAL SEE TABLE		SEE TABLE	CUSTOMER DRAWING	RESTRICTED TO
			SCALE 5:1	SHEET 1 of 1
				REV P

## X-ON Electronics

Largest Supplier of Electrical and Electronic Components

*Click to view similar products for [Terminals](#) category:*

*Click to view products by [TE Connectivity](#) manufacturer:*

Other Similar products are found below :

[00-054007-01074-6](#) [00-054007-70206-1](#) [00-054007-70210-8](#) [00-054007-70217-7](#) [00-054007-70226-9](#) [00-054007-70228-3](#) [00-054007-70248-1](#) [00-054007-70256-6](#) [00-054007-70301-3](#) [00-054007-70316-7](#) [0-0320562-0](#) [00-054007-49560-4](#) [00-054007-70209-2](#) [00-054007-70225-2](#) [00-054007-70227-6](#) [00-054007-70231-3](#) [00-054007-70241-2](#) [00-054007-70242-9](#) [00-054007-70244-3](#) [00-054007-70246-7](#) [00-054007-70263-4](#) [00-054007-70288-7](#) [00-054007-70290-0](#) [00-054007-70300-6](#) [00-054007-70304-4](#) [01-2065-1-0216](#) [01-2900-1-04412](#) [00581P0075](#) [600TS-10](#) [60205-1](#) [604200-1](#) [605601-1](#) [60598-1-CUT-TAPE](#) [61314-6-C](#) [61810-3](#) [61-S](#) [61-SN](#) [626-0194](#) [62-NBM-A](#) [62-SN](#) [62-SP](#) [63-S](#) [640179-1](#) [M55155/059I03](#) [M55155/079C01](#) [M55155/099H02](#) [M55155/109H01](#) [M55155/109H02](#) [M55155/12XH05](#) [M55155/16XH02](#)