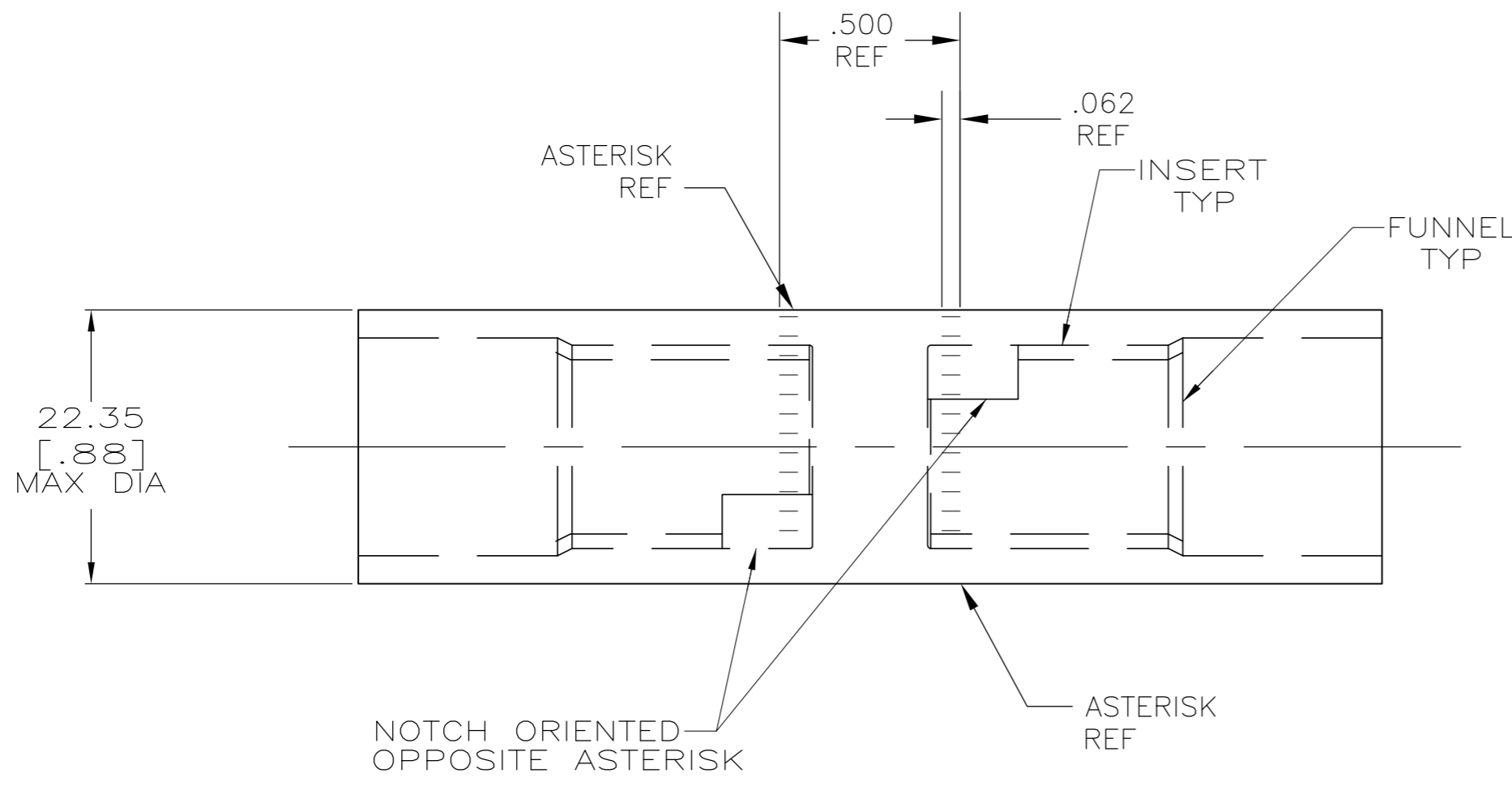
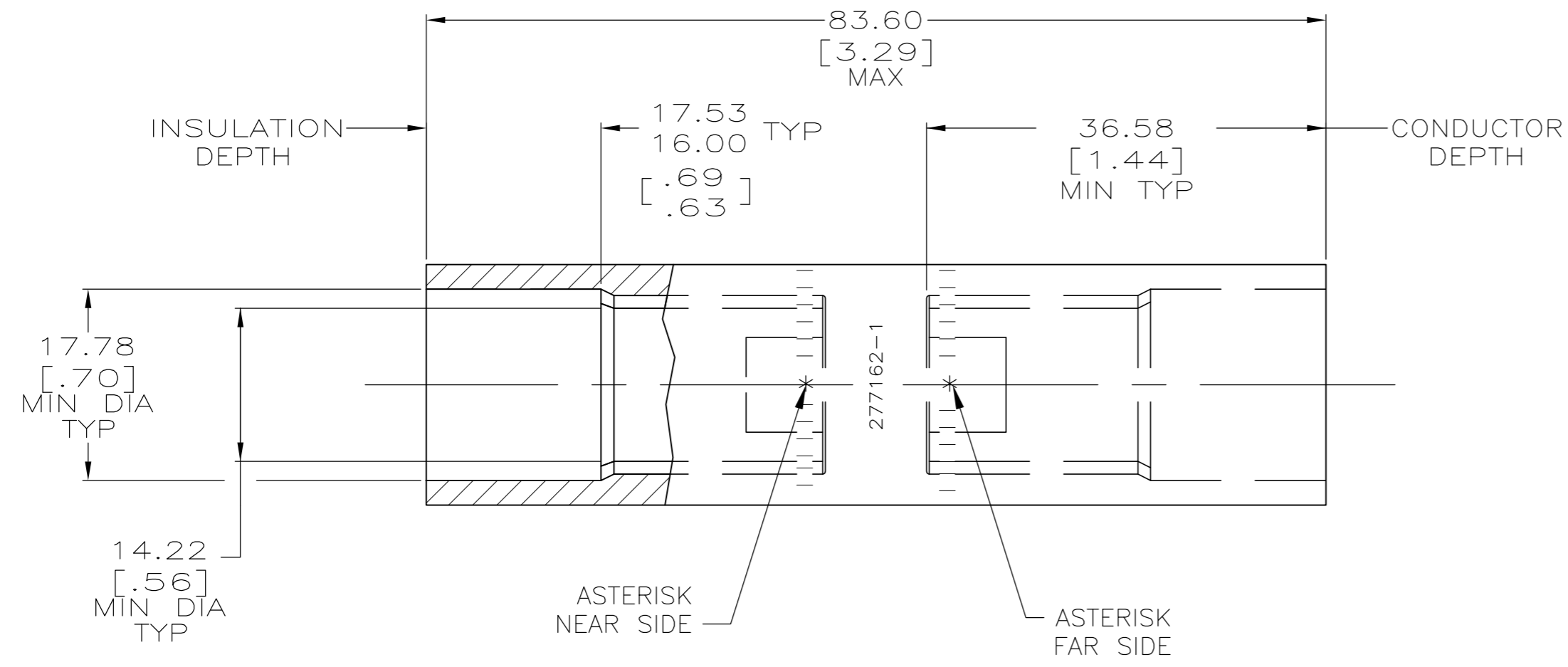


THIS DRAWING IS UNPUBLISHED. RELEASED FOR PUBLICATION
 © COPYRIGHT - By - ALL RIGHTS RESERVED.

LOC	DIST	REVISIONS					
		P	LTR	DESCRIPTION	DATE	DWN	APVD
G	86	N		REV PER ECO-11-008916	13MAY11	PY	BW

1 WIRE INSULATION: 13.21[.520] - 16.38[.645] DIA
 △ STAMP " 277162-1 AMP 3/0AL-2/OCU"
 APPROX AS SHOWN,



SPLICE: COPPER ASTM B-187
 TIN PL PER ASTM B-545 0.00381[.000150] MIN THK
INSERT & FUNNEL: BRASS ASTM B36
 NICKEL PL SAE AMS QQ-N-290A,
 DATED JULY 2000,
 0.00254 [.000100] MIN THK

277162-1

MATERIAL AND FINISH

PART NO

THIS DRAWING IS A CONTROLLED DOCUMENT.		DWN DK SCHRUM 7/6/89	TE TE Connectivity	
DIMENSIONS: MM [INCHES]		CHK MS FEHER 1/15/90		
TOLERANCES UNLESS OTHERWISE SPECIFIED:		APVD MJ SPICER 1/15/90	NAME WIRE SPLICE, BUTT, COPALUM	
0 PLC ± -		PRODUCT SPEC 108-11011	SIZE CAGE CODE DRAWING NO	
1 PLC ± -		APPLICATION SPEC 114-2134	RESTRICTED TO	
2 PLC ± 0.20[.008]		WEIGHT 127.5 GRAMS A2 00779 C=277162	SCALE 2:1 SHEET 1 of 1 REV N	
3 PLC ± -		CUSTOMER DRAWING		
4 PLC ± -				
ANGLES ± -				
FINISH SEE TABLE				

X-ON Electronics

Largest Supplier of Electrical and Electronic Components

Click to view similar products for [Terminals](#) category:

Click to view products by [TE Connectivity](#) manufacturer:

Other Similar products are found below :

[HT-13-10](#) [71M-250-32-NB](#) [01-2065-1-0216](#) [00581P0075](#) [M10-10RX](#) [M10BCK](#) [60205-1](#) [604200-1](#) [60598-1-CUT-TAPE](#) [60617-1-C](#) [60873-1](#) [M14-516R/SK](#) [M14-6RSX](#) [M18-8FBX](#) [M18-8R/LX](#) [M18BCK](#) [61314-6-C](#) [61-S](#) [61-SN-A](#) [62-NBM-A](#) [63-S](#) [640179-1](#) [640917-2-CUT-TAPE](#) [6501550002](#) [66107-2-C](#) [696683-1](#) [696834-1](#) [696861-1](#) [696931-1](#) [696999-1](#) [M8-516RK](#) [M86700006](#) [MA250DMFMX-A](#) [701-2007](#) [701-2307](#) [701-7761-03](#) [70F-110-32-PB](#) [718-N-A](#) [71M-187-20-NBL](#) [71M-250-32-NBL](#) [72F-187-20-NBL](#) [72M-250-32-NBL](#) [7310](#) [73F-250-32](#) [73F-250-32-NL](#) [F14-10C](#) [F-1M](#) [751-250](#) [76650-5002](#) [76828-149](#)