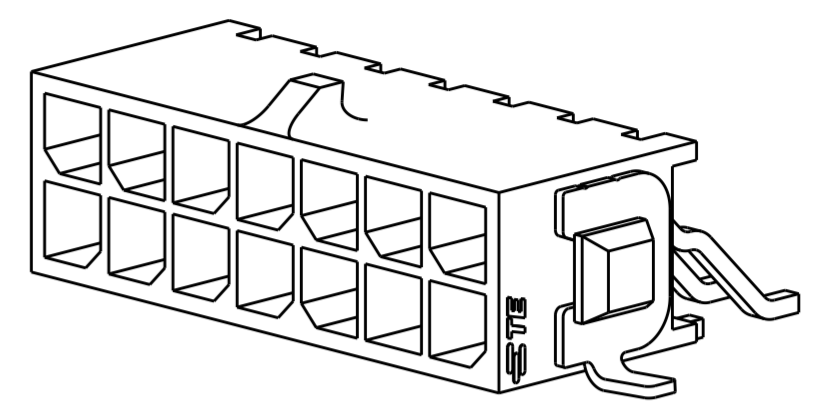
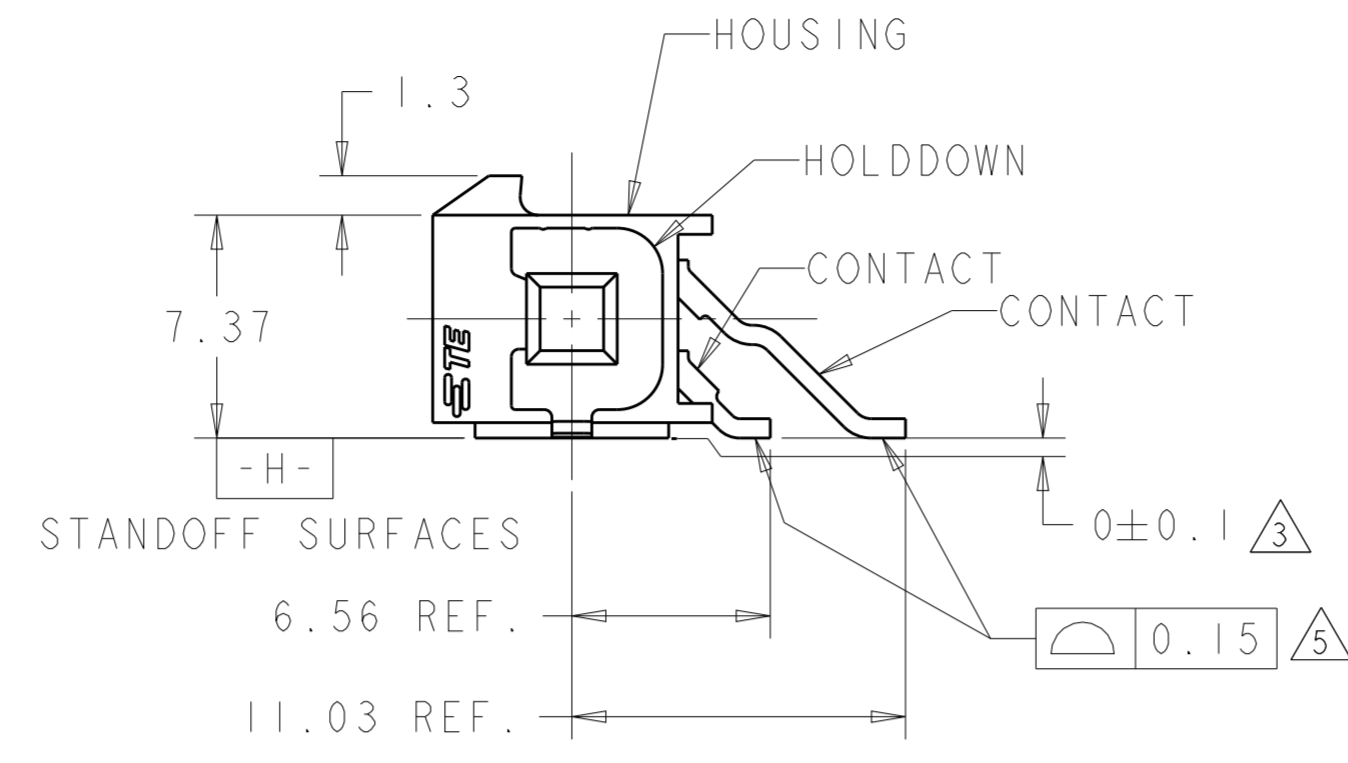
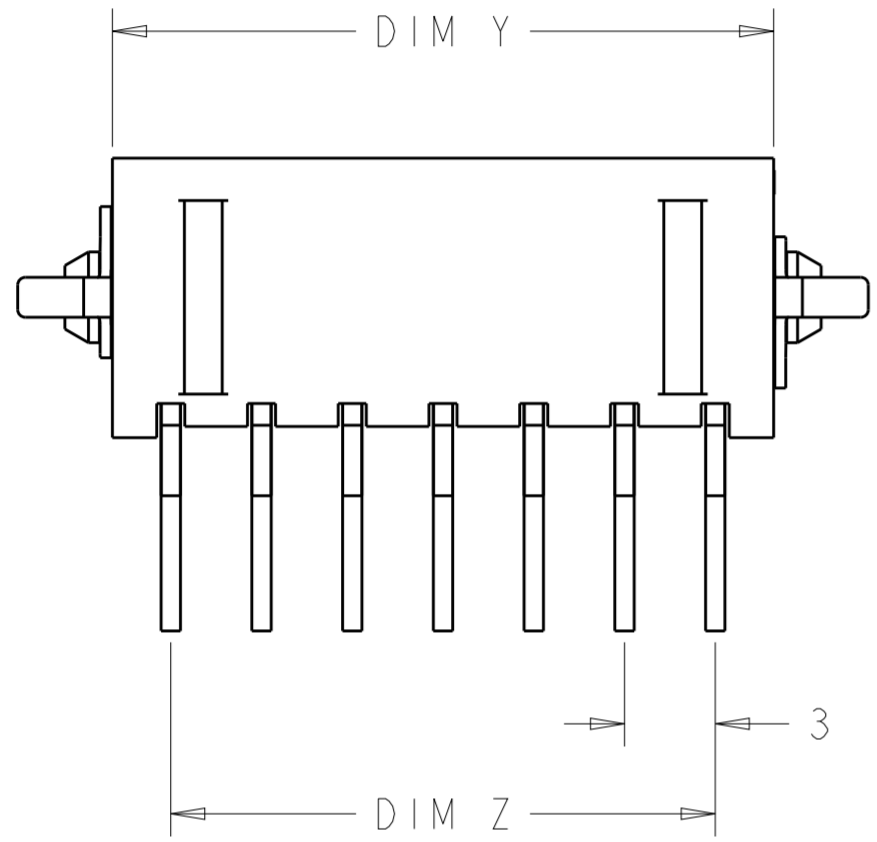
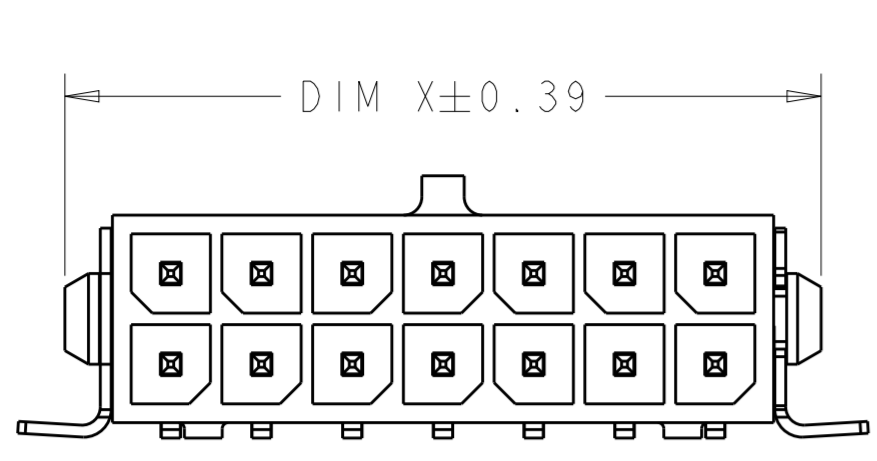
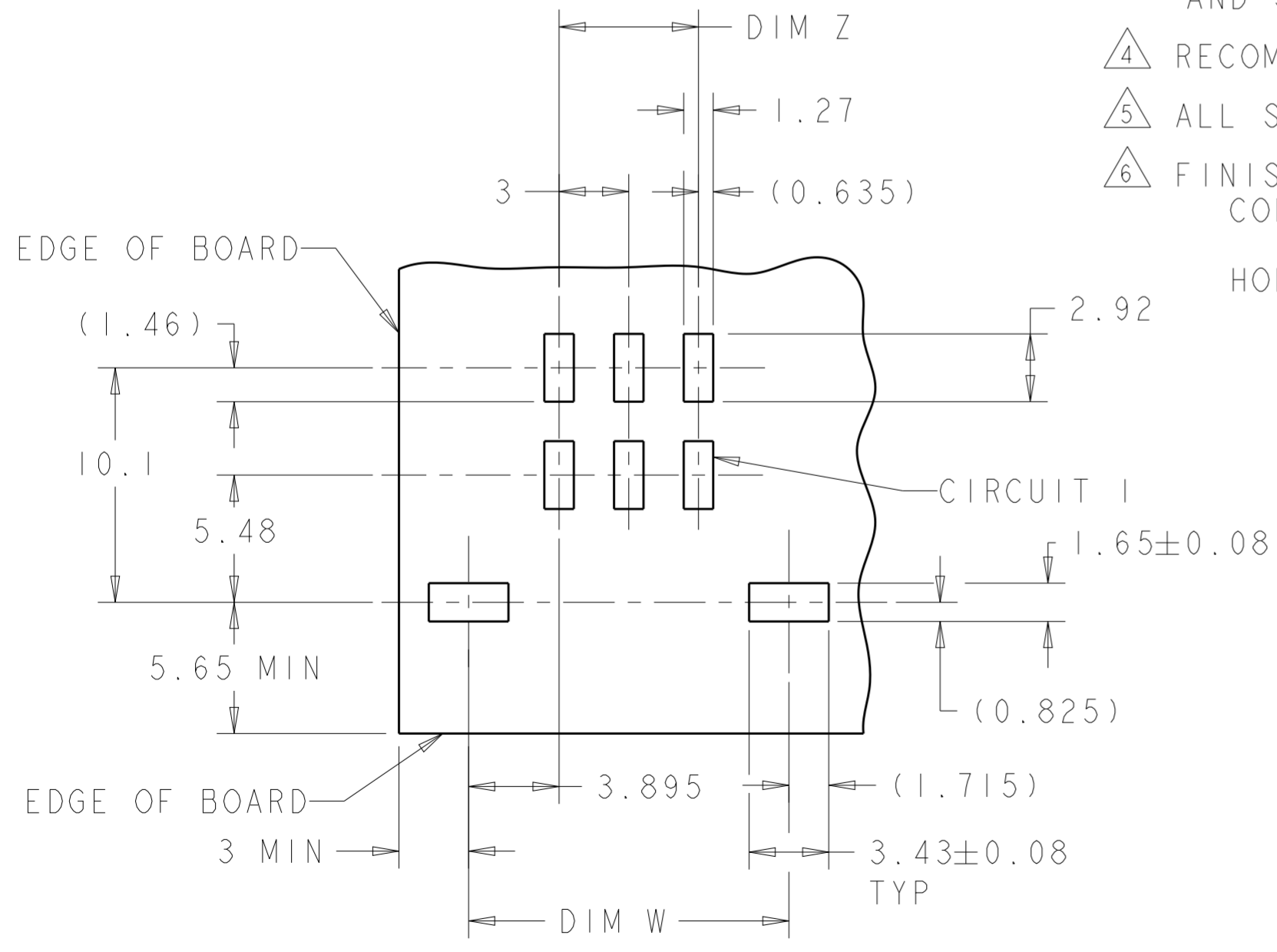


THIS DRAWING IS UNPUBLISHED. RELEASED FOR PUBLICATION 20
 © COPYRIGHT 20 BY - ALL RIGHTS RESERVED.

REVISIONS					
P	LTR	DESCRIPTION	DATE	DWN	APVD
J1		REVISED PER ECR-16-011494	23JUN2017	NK	CX
J2		ECO-19-006502	30APR2019	AP	WLS
J3		REVISED PER ECO-20-009852	14JUL2020	WLS	DZ



- ① MATERIAL;
 CONTACTS - BRASS.
 HOUSING - UL 94V-0 RATED HIGH TEMP NYLON,
 COLOR; BLACK.
 HOLD DOWNS - PHOSPHOR BRONZE.
- ② FINISH;
 CONTACTS - 2.54µm MINIMUM TIN-LEAD OVER 1.27µm
 MINIMUM NICKEL.
 HOLD DOWNS - 2.54µm TIN-LEAD.
- ③ DIMENSION APPLIES TO SOLDERTAIL SURFACES
 AND STANDOFF SURFACES.
- ④ RECOMMENDED PC BOARD THICKNESS OF 1.57.
- ⑤ ALL SOLDERTAILS AND HOLD DOWNS.
- ⑥ FINISH;
 CONTACTS - 2.54µm MINIMUM MATTE TIN OVER 1.27µm
 MINIMUM NICKEL.
 HOLD DOWNS - 2.54µm MINIMUM MATTE TIN.



⑥	36.86	40.79	33.00	40.00	24	5-794627-4
⑥	33.86	37.79	30.00	37.00	22	5-794627-2
⑥	30.86	34.79	27.00	34.00	20	5-794627-0
⑥	27.86	31.79	24.00	31.00	18	4-794627-8
⑥	24.86	28.79	21.00	28.00	16	4-794627-6
⑥	21.86	25.79	18.00	25.00	14	4-794627-4
⑥	18.86	22.79	15.00	22.00	12	4-794627-2
⑥	15.86	19.79	12.00	19.00	10	4-794627-0
⑥	12.86	16.79	9.00	16.00	8	3-794627-8
⑥	9.86	13.79	6.00	13.00	6	3-794627-6
⑥	6.86	10.79	3.00	10.00	4	3-794627-4
⑥	3.86	7.79	-	7.00	2	3-794627-2
⑥	36.86	40.79	33.00	40.00	24	2-794627-4
⑥	33.86	37.79	30.00	37.00	22	2-794627-2
⑥	30.86	34.79	27.00	34.00	20	2-794627-0
⑥	27.86	31.79	24.00	31.00	18	1-794627-8
⑥	24.86	28.79	21.00	28.00	16	1-794627-6
⑥	21.86	25.79	18.00	25.00	14	1-794627-4
⑥	18.86	22.79	15.00	22.00	12	1-794627-2
⑥	15.86	19.79	12.00	19.00	10	1-794627-0
⑥	12.86	16.79	9.00	16.00	8	794627-8
⑥	9.86	13.79	6.00	13.00	6	794627-6
⑥	6.86	10.79	3.00	10.00	4	794627-4
⑥	3.86	7.79	-	7.00	2	794627-2

THIS DRAWING IS A CONTROLLED DOCUMENT.		DWN S. HOOVER 23-MAR-2005	TE Connectivity		
DIMENSIONS: mm		CHK C. JONES 23-MAR-2005			
TOLERANCES UNLESS OTHERWISE SPECIFIED:		APVD C. JONES 23-MAR-2005	NAME SURFACE MOUNT, RIGHT ANGLE, SURFACE MOUNT HOLD DOWN, ASSEMBLY, TIN HEADER, DUAL ROW, MICRO MATE-N-LOK (TM)		
0 PLC ±		PRODUCT SPEC 108-1836	SIZE A2	CAGE CODE 00779	DRAWING NO. C-794627
1 PLC ±		APPLICATION SPEC 114-13000	SCALE 4:1	SHEET 1	REV J3
2 PLC ±0.13		MATERIAL SEE TABLE	CUSTOMER DRAWING		
3 PLC ±		RESTRICTED TO			
4 PLC ±					
ANGLES ±					
FINISH					

X-ON Electronics

Largest Supplier of Electrical and Electronic Components

Click to view similar products for [Pin & Socket Connectors](#) category:

Click to view products by [TE Connectivity](#) manufacturer:

Other Similar products are found below :

[6450822-1](#) [770392-1](#) [794042-1](#) [796885-1](#) [8-794535-1](#) [881459-2](#) [R929993003](#) [1-350779-3](#) [1403611-1](#) [1-480349-5](#) [1586092-1](#) [1586129-1](#)
[1586487-1](#) [1586681-4](#) [1586700-1](#) [1586065-1](#) [1586077-1](#) [1586368-1](#) [1586380-1](#) [1586680-5](#) [1586681-2](#) [1604996-1](#) [16-06-0038](#) [164164-5](#) [1-](#)
[6609930-1](#) [172296-1](#) [1-794714-6](#) [19-09-2035](#) [1969804-1](#) [200503-1](#) [200788-2](#) [201046-7](#) [202648-4](#) [2029076-2](#) [2029090-4](#) [2029095-4](#) [2-](#)
[66102-6](#) [925061-7](#) [926681-1](#) [293734-4](#) [293737-2](#) [1-765362-4](#) [1-794606-3](#) [1871534-1](#) [1969795-1](#) [1969798-1](#) [1969800-1](#) [200833-4](#)
[2008625-2](#) [2029027-2](#)