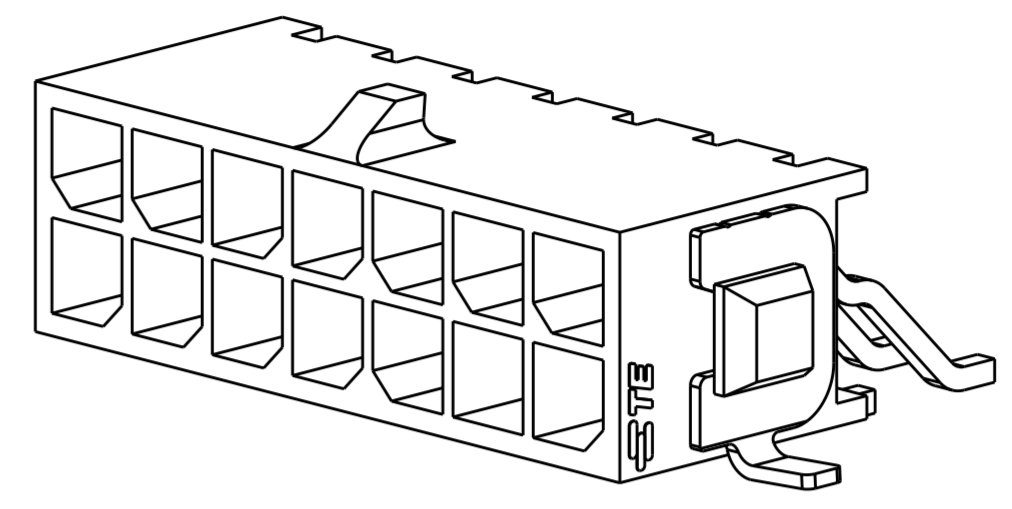
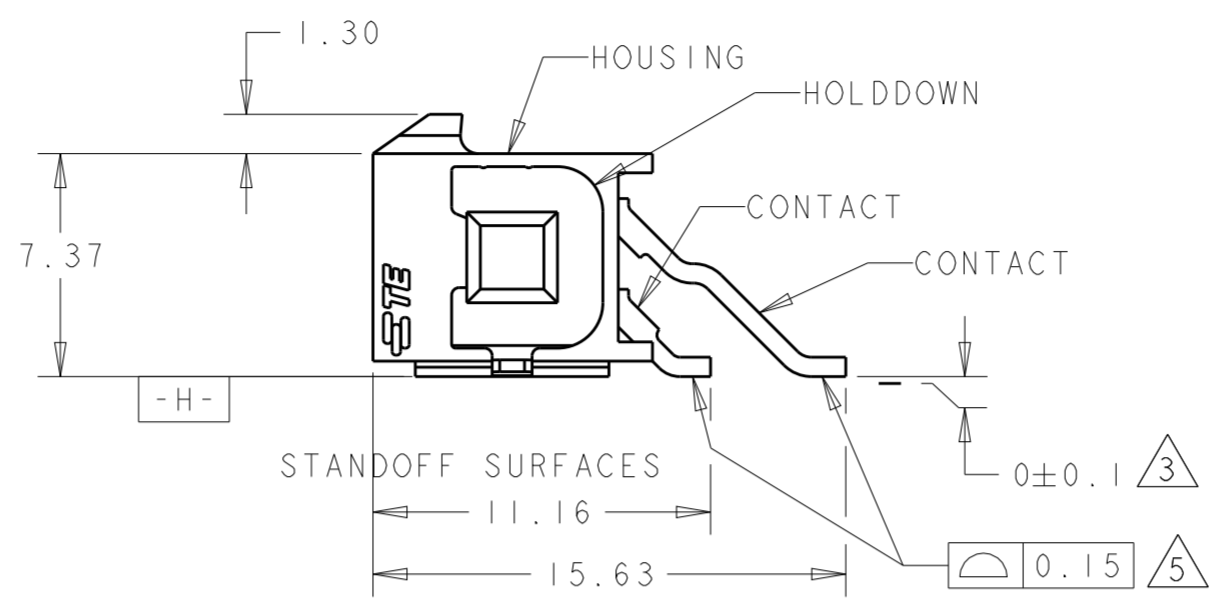
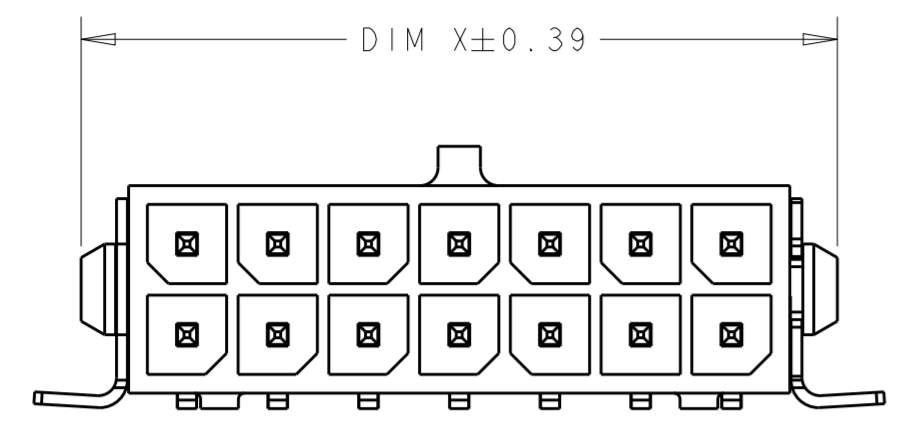
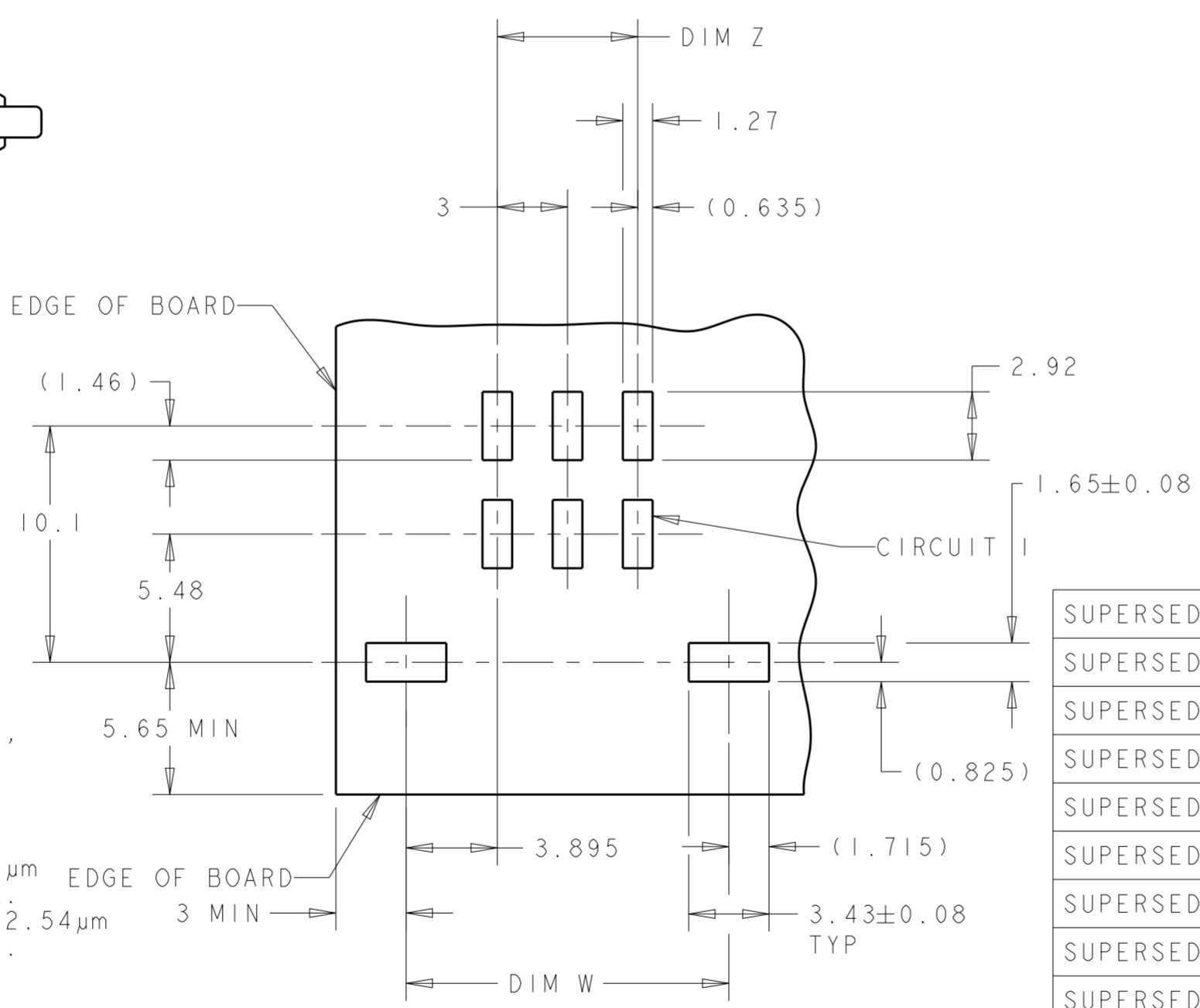
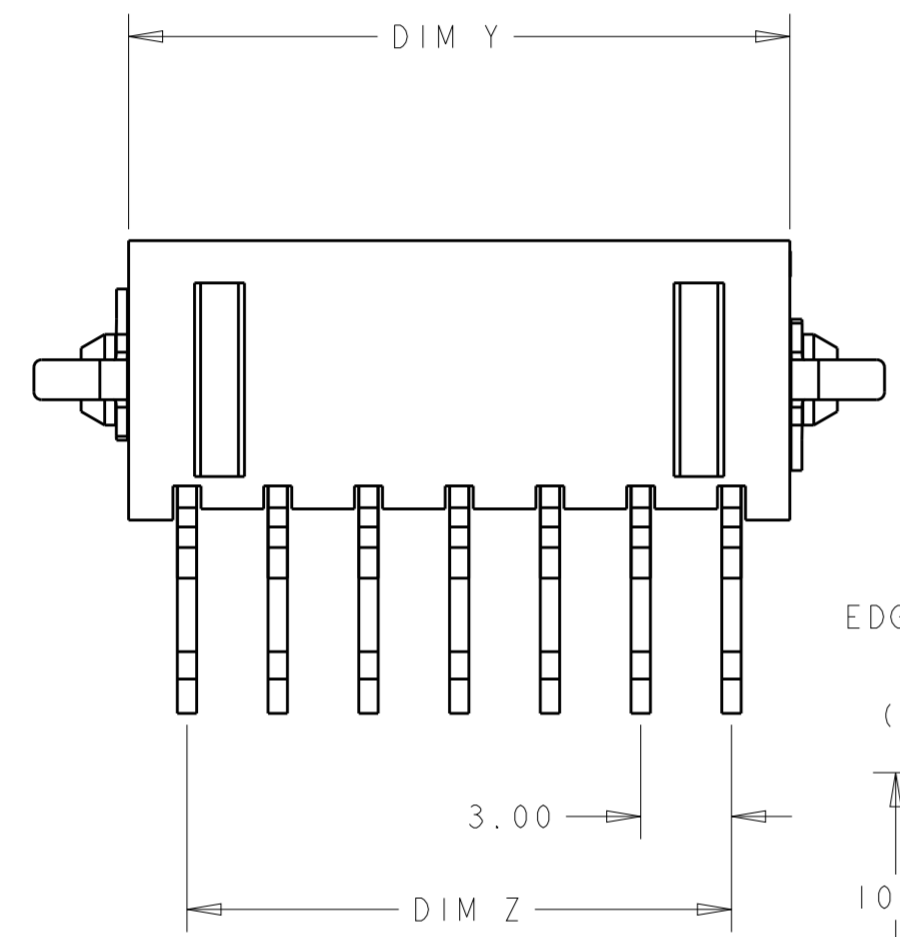


THIS DRAWING IS UNPUBLISHED. RELEASED FOR PUBLICATION 20
 © COPYRIGHT 20 BY - ALL RIGHTS RESERVED.

REVISIONS					
P	LTR	DESCRIPTION	DATE	DWN	APVD
H1		REVISED PER ECR-16-011494	22JUN2017	NK	CX
H2		ECO-19-006502	30APR2019	AP	WS



SCALE 5:1



FINISH	DIM Y	DIM W	DIM Z	DIM X	NO. OF POSN.	PART NUMBER
△6	36.86	40.79	33.00	40.00	24	5-794628-4
△6	33.86	37.79	30.00	37.00	22	5-794628-2
△6	30.86	34.79	27.00	34.00	20	5-794628-0
△6	27.86	31.79	24.00	31.00	18	4-794628-8
△6	24.86	28.79	21.00	28.00	16	4-794628-6
△6	21.86	25.79	18.00	25.00	14	4-794628-4
△6	18.86	22.79	15.00	22.00	12	4-794628-2
△6	15.86	19.79	12.00	19.00	10	4-794628-0
△6	12.86	16.79	9.00	16.00	8	3-794628-8
△6	9.86	13.79	6.00	13.00	6	3-794628-6
△6	6.86	10.79	3.00	10.00	4	3-794628-4
△6	3.86	7.79	-	7.00	2	3-794628-2
△2	36.86	40.79	33.00	40.00	24	2-794628-4
△2	33.86	37.79	30.00	37.00	22	2-794628-2
△2	30.86	34.79	27.00	34.00	20	2-794628-0
△2	27.86	31.79	24.00	31.00	18	+794628-8
△2	24.86	28.79	21.00	28.00	16	+794628-6
△2	21.86	25.79	18.00	25.00	14	+794628-4
△2	18.86	22.79	15.00	22.00	12	+794628-2
△2	15.86	19.79	12.00	19.00	10	+794628-0
△2	12.86	16.79	9.00	16.00	8	794628-8
△2	9.86	13.79	6.00	13.00	6	794628-6
△2	6.86	10.79	3.00	10.00	4	794628-4
△2	3.86	7.79	-	7.00	2	794628-2

- 1 MATERIAL;
CONTACTS - BRASS.
HOUSING - UL 94V-0 RATED HIGH TEMP NYLON,
COLOR; BLACK.
HOLDDOWNS - PHOSPHOR BRONZE.
- 2 PLATING;
CONTACTS - 0.38µm MINIMUM GOLD OVER 2.54µm
MINIMUM NICKEL ON MATING AREA.
2.54µm TIN-LEAD MINIMUM OVER 2.54µm
NICKEL MINIMUM ON SOLDER TAIL.
HOLDDOWNS - 2.54µm TIN-LEAD.
- 3 DIMENSION APPLIES TO SOLDER TAIL SURFACES
AND STANDOFF SURFACES.
- 4 RECOMMENDED PC BOARD THICKNESS OF 1.57.
- 5 ALL SOLDER TAILS AND HOLDDOWNS.
- 6 PLATING;
CONTACTS - 0.38µm MINIMUM GOLD OVER 2.54µm
MINIMUM NICKEL ON MATING AREA.
2.54µm MATTE TIN MINIMUM OVER 2.54µm
NICKEL MINIMUM ON SOLDER TAIL.
HOLDDOWNS - 2.54µm MATTE TIN.

RECOMMENDED PCB LAYOUT (COMPONENT SIDE)

SUPERSEDED BY 5-794628-4	△2	36.86	40.79	33.00	40.00	24	2-794628-4
SUPERSEDED BY 5-794628-2	△2	33.86	37.79	30.00	37.00	22	2-794628-2
SUPERSEDED BY 5-794628-0	△2	30.86	34.79	27.00	34.00	20	2-794628-0
SUPERSEDED BY 4-794628-8	△2	27.86	31.79	24.00	31.00	18	+794628-8
SUPERSEDED BY 4-794628-6	△2	24.86	28.79	21.00	28.00	16	+794628-6
SUPERSEDED BY 4-794628-4	△2	21.86	25.79	18.00	25.00	14	+794628-4
SUPERSEDED BY 4-794628-2	△2	18.86	22.79	15.00	22.00	12	+794628-2
SUPERSEDED BY 4-794628-0	△2	15.86	19.79	12.00	19.00	10	+794628-0
SUPERSEDED BY 3-794628-8	△2	12.86	16.79	9.00	16.00	8	794628-8
SUPERSEDED BY 3-794628-6	△2	9.86	13.79	6.00	13.00	6	794628-6
SUPERSEDED BY 3-794628-4	△2	6.86	10.79	3.00	10.00	4	794628-4
SUPERSEDED BY 3-794628-2	△2	3.86	7.79	-	7.00	2	794628-2

THIS DRAWING IS A CONTROLLED DOCUMENT.

DIMENSIONS: mm	TOLERANCES UNLESS OTHERWISE SPECIFIED: 0 PLC ± 1 PLC ± 2 PLC ±0.13 3 PLC ± 4 PLC ± ANGLES ± FINISH	DWN K. WHITAKER 19MAR2003 CHK C. JONES 19MAR2003 APVD C. JONES 19MAR2003	TE Connectivity NAME SURFACE MOUNT, RIGHT ANGLE, SURFACE MOUNT HOLDDOWN, ASSEMBLY, 15 GOLD HEADER, DUAL ROW, MICRO MATE-N-LOK™ SIZE A2 CAGE CODE A20779 DRAWING NO. C-794628 RESTRICTED TO
MATERIAL	SEE TABLE	PRODUCT SPEC 108-1836 APPLICATION SPEC 114-13000 WEIGHT - CUSTOMER DRAWING	

SCALE 4:1 SHEET 1 OF 1 REV H2

X-ON Electronics

Largest Supplier of Electrical and Electronic Components

Click to view similar products for te connectivity manufacturer:

Other Similar products are found below :

[570416-000](#) [CLTEQ-M81CE-SSRELAY-4-20V](#) [4-1633138-8](#) [1-2217206-1](#) [D38999/24FJ4AN](#) [358838-000](#) [4-1195131-0](#) [650069-000](#)
[SMD100-2](#) [CB-1022B-78](#) [RM707012](#) [RP410012](#) [MMS42](#) [1-640426-8](#) [2EDL4CM](#) [DTS20W19-11PD-3028](#) [DTS20W19-11PD-3028-LC](#)
[DTS20W19-32SD-3028-LC](#) [DTS20W19-32SD-3028](#) [RM202615](#) [NC6-P104-06](#) [TXR64AB90-3616AI](#) [MSPS103B](#) [DTS26F21-41HE](#)
[DTS26F21-41AE](#) [DTS26F21-41PE-LC](#) [DTS26F21-11SE-3028-LC](#) [1932144-1](#) [293545-4](#) [LVR125S](#) [MS27466T25F4PB](#) [CKB-38-78010](#)
[1206SFF150F/63-2](#) [5-2027513-8](#) [D38999/20JB35HA](#) [D38999/24WJ20PA](#) [1754138-1](#) [TE1500A2R2J](#) [DTS24F25-29PC-3028-LC](#) [164-8033-](#)
[08](#) [D38999/24WG11HA](#) [D38999/24WG11HN](#) [MS27467T21F11H](#) [DJT16E21-11HA](#) [1206SFH150F/24-2](#) [1-532955-3](#) [DTS20W19-32SA-](#)
[3028-LC](#) [DTS24F19-11SC-3028-LC](#) [DTS24F19-11SC-3028](#) [D38999/20WC8BB](#)