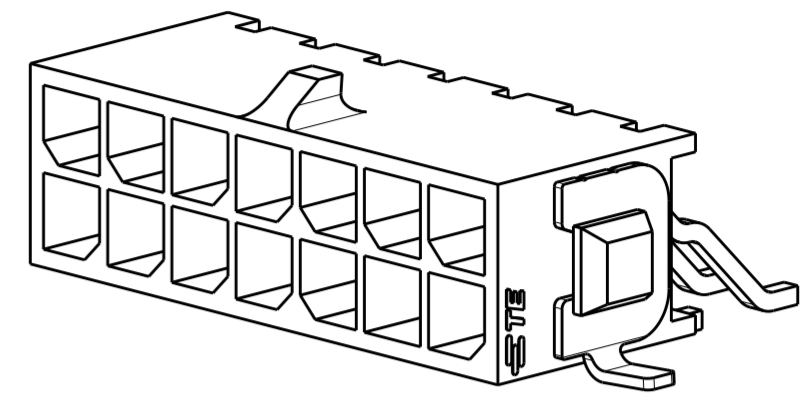
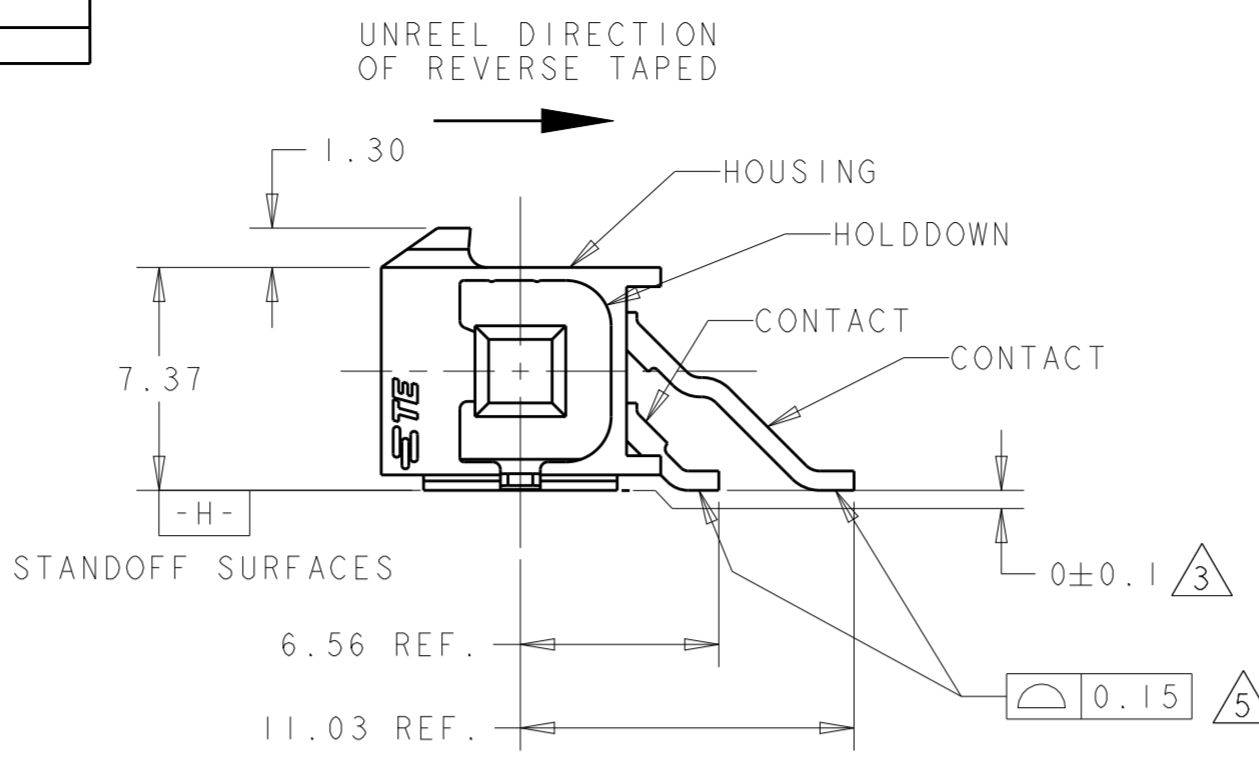
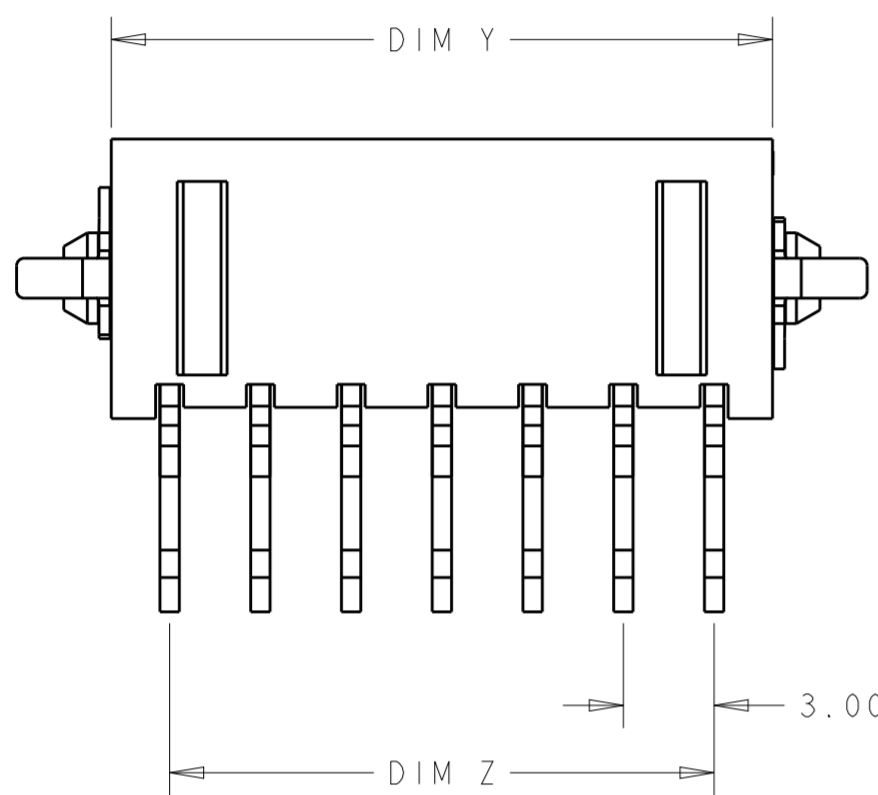
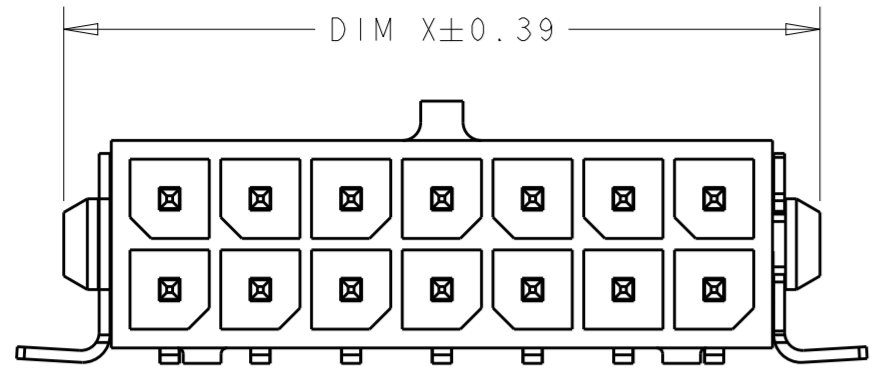
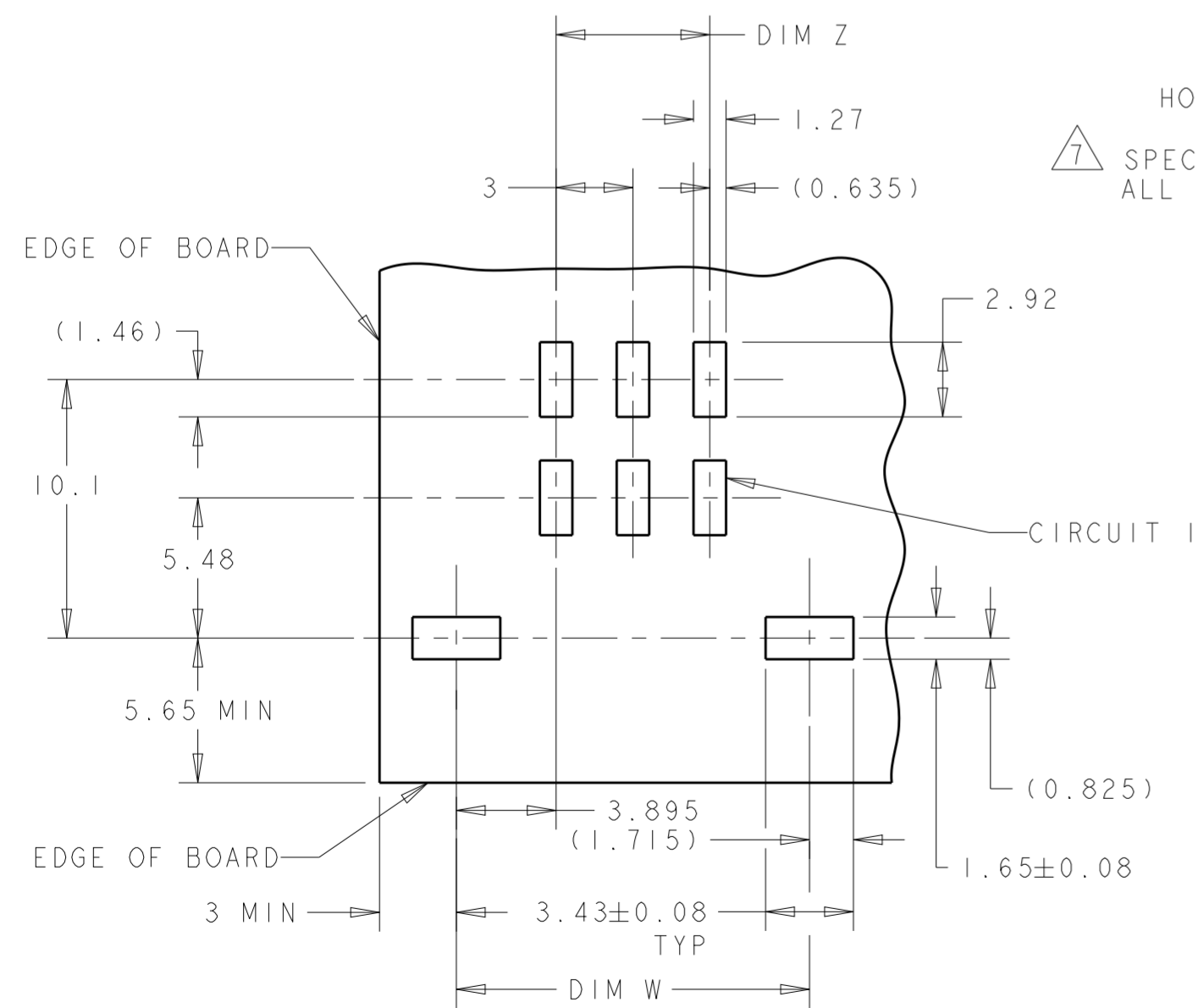


THIS DRAWING IS UNPUBLISHED. RELEASED FOR PUBLICATION 20
 © COPYRIGHT 20 BY - ALL RIGHTS RESERVED.

REVISIONS					
P	LTR	DESCRIPTION	DATE	DWN	APVD
H1		REVISED PER ECR-16-011494	22JUN2017	NK	CX
H2		ECO-19-006502	30APR2019	AP	WLS
H3		REVISED PER ECO-20-009852	14JUL2020	WLS	DZ
H4		REVISED PER ECN-20-100227	22JUL2020	WLS	SV



- 1 MATERIAL;
CONTACTS - BRASS.
HOUSING - UL 94V-0 RATED HIGH TEMP NYLON,
COLOR; BLACK.
HOLDDOWNS - PHOSPHOR BRONZE.
- 2 PLATING;
CONTACTS - 0.76µm MINIMUM GOLD OVER 2.54µm
MINIMUM NICKEL ON MATING AREA.
2.54µm TIN-LEAD MINIMUM OVER 2.54µm
NICKEL MINIMUM ON SOLDER TAIL.
HOLDDOWNS - 2.54µm TIN-LEAD.
- 3 DIMENSION APPLIES TO SOLDER TAIL SURFACES
AND STANDOFF SURFACES.
- 4 RECOMMENDED PC BOARD THICKNESS OF 1.57.
- 5 ALL SOLDER TAILS AND HOLDDOWNS.
- 6 PLATING;
CONTACTS - 0.76µm MINIMUM GOLD OVER 2.54µm
MINIMUM NICKEL ON MATING AREA.
2.54µm MATTE TIN MINIMUM OVER 2.54µm
NICKEL MINIMUM ON SOLDER TAIL.
HOLDDOWNS - 2.54µm MATTE TIN.
- 7 SPECIAL PACKAGING : 1 PLASTIC BAG PER REEL,
ALL REELS INTO THE BOX.



RECOMMENDED PCB LAYOUT (COMPONENT SIDE) 4

TAPED	6	18.86	22.79	15.00	22.00	12	7-794629-2
REVERSE TAPED	6	12.86	16.79	9.00	16.00	8	6-794629-8
REVERSE TAPED	6	6.86	10.79	3.00	10.00	4	6-794629-4
TAPED	6	36.86	40.79	33.00	40.00	24	5-794629-4
TAPED	6	33.86	37.79	30.00	37.00	22	5-794629-2
TAPED	6	30.86	34.79	27.00	34.00	20	5-794629-0
TAPED	6	27.86	31.79	24.00	31.00	18	4-794629-8
TAPED	6	24.86	28.79	21.00	28.00	16	4-794629-6
TAPED	6	21.86	25.79	18.00	25.00	14	4-794629-4
TAPED	6	18.86	22.79	15.00	22.00	12	4-794629-2
TAPED	6	15.86	19.79	12.00	19.00	10	4-794629-0
TAPED	6	12.86	16.79	9.00	16.00	8	3-794629-8
TAPED	6	9.86	13.79	6.00	13.00	6	3-794629-6
TAPED	6	6.86	10.79	3.00	10.00	4	3-794629-4
LOOSE PIECE	6	3.86	7.79	-	7.00	2	3-794629-2
SUPERSEDED BY 5-794629-4	2	36.86	40.79	33.00	40.00	24	2-794629-4
SUPERSEDED BY 5-794629-2	2	33.86	37.79	30.00	37.00	22	2-794629-2
SUPERSEDED BY 5-794629-0	2	30.86	34.79	27.00	34.00	20	2-794629-0
SUPERSEDED BY 4-794629-8	2	27.86	31.79	24.00	31.00	18	1-794629-8
SUPERSEDED BY 4-794629-6	2	24.86	28.79	21.00	28.00	16	1-794629-6
SUPERSEDED BY 4-794629-4	2	21.86	25.79	18.00	25.00	14	1-794629-4
SUPERSEDED BY 4-794629-2	2	18.86	22.79	15.00	22.00	12	1-794629-2
SUPERSEDED BY 4-794629-0	2	15.86	19.79	12.00	19.00	10	1-794629-0
SUPERSEDED BY 3-794629-8	2	12.86	16.79	9.00	16.00	8	794629-8
SUPERSEDED BY 3-794629-6	2	9.86	13.79	6.00	13.00	6	794629-6
SUPERSEDED BY 3-794629-4	2	6.86	10.79	3.00	10.00	4	794629-4
SUPERSEDED BY 3-794629-2	2	3.86	7.79	-	7.00	2	794629-2
PACKAGING	FINISH	DIM Y	DIM W	DIM Z	DIM X	NO. OF POSN.	PART NUMBER

SUPERSEDED BY 5-794629-4	TAPED	2	36.86	40.79	33.00	40.00	24	2-794629-4
SUPERSEDED BY 5-794629-2	TAPED	2	33.86	37.79	30.00	37.00	22	2-794629-2
SUPERSEDED BY 5-794629-0	TAPED	2	30.86	34.79	27.00	34.00	20	2-794629-0
SUPERSEDED BY 4-794629-8	TAPED	2	27.86	31.79	24.00	31.00	18	1-794629-8
SUPERSEDED BY 4-794629-6	TAPED	2	24.86	28.79	21.00	28.00	16	1-794629-6
SUPERSEDED BY 4-794629-4	TAPED	2	21.86	25.79	18.00	25.00	14	1-794629-4
SUPERSEDED BY 4-794629-2	TAPED	2	18.86	22.79	15.00	22.00	12	1-794629-2
SUPERSEDED BY 4-794629-0	TAPED	2	15.86	19.79	12.00	19.00	10	1-794629-0
SUPERSEDED BY 3-794629-8	TAPED	2	12.86	16.79	9.00	16.00	8	794629-8
SUPERSEDED BY 3-794629-6	TAPED	2	9.86	13.79	6.00	13.00	6	794629-6
SUPERSEDED BY 3-794629-4	TAPED	2	6.86	10.79	3.00	10.00	4	794629-4
SUPERSEDED BY 3-794629-2	LOOSE PIECE	2	3.86	7.79	-	7.00	2	794629-2

THIS DRAWING IS A CONTROLLED DOCUMENT.

DWN: K. WHITAKER 19MAR2003
 CHK: C. JONES 19MAR2003
 APVD: C. JONES 19MAR2003

STC TE Connectivity

NAME: SURFACE MOUNT, RIGHT ANGLE, SURFACE MOUNT HOLDDOWN, ASSEMBLY, 30 GOLD HEADER, DUAL ROW, MICRO MATE-N-LOK™

PRODUCT SPEC: 108-1836
 APPLICATION SPEC: 114-13000

SIZE: A2 CAGE CODE: 0779 DRAWING NO: C-794629

MATERIAL: SEE TABLE

SCALE: 4:1 SHEET: 1 OF 1 REV: H4

X-ON Electronics

Largest Supplier of Electrical and Electronic Components

Click to view similar products for [Pin & Socket Connectors](#) category:

Click to view products by [TE Connectivity](#) manufacturer:

Other Similar products are found below :

[6450822-1](#) [770392-1](#) [794042-1](#) [796885-1](#) [8-794535-1](#) [881459-2](#) [R929993003](#) [1-350779-3](#) [1403611-1](#) [1-480349-5](#) [1586092-1](#) [1586129-1](#)
[1586487-1](#) [1586681-4](#) [1586700-1](#) [1586065-1](#) [1586077-1](#) [1586368-1](#) [1586380-1](#) [1586680-5](#) [1586681-2](#) [1604996-1](#) [16-06-0038](#) [164164-5](#) [1-](#)
[6609930-1](#) [172296-1](#) [1-794714-6](#) [19-09-2035](#) [1969804-1](#) [200503-1](#) [200788-2](#) [201046-7](#) [202648-4](#) [2029076-2](#) [2029090-4](#) [2029095-4](#) [2-](#)
[66102-6](#) [925061-7](#) [926681-1](#) [293734-4](#) [293737-2](#) [1-765362-4](#) [1-794606-3](#) [1871534-1](#) [1969795-1](#) [1969798-1](#) [1969800-1](#) [200833-4](#)
[2008625-2](#) [2029027-2](#)