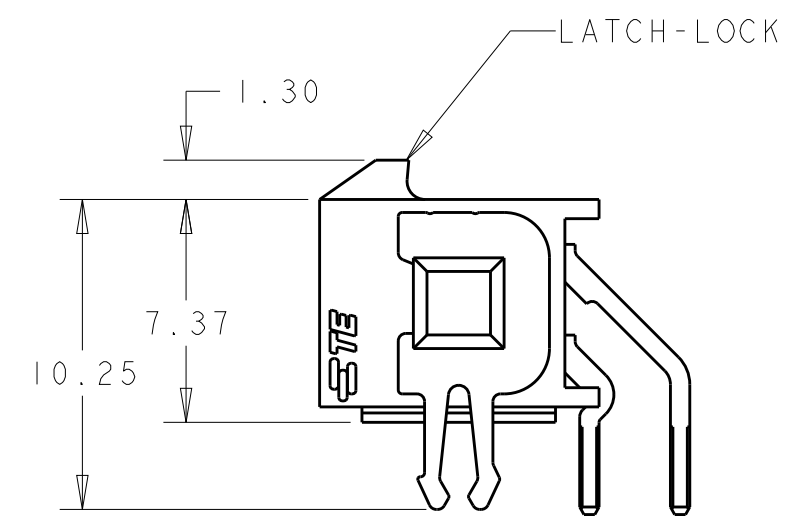
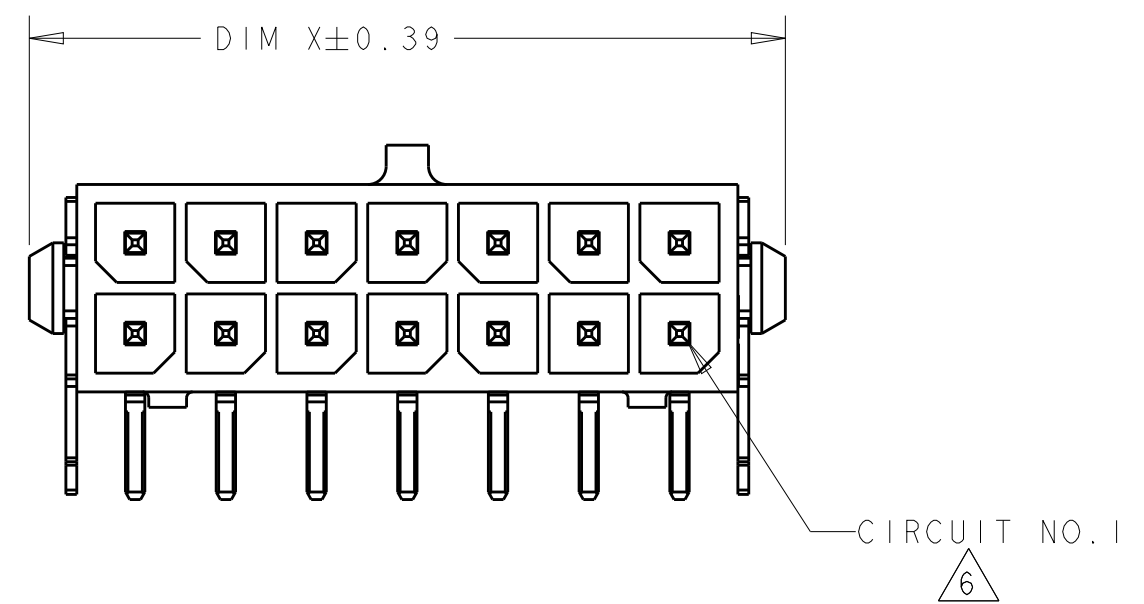
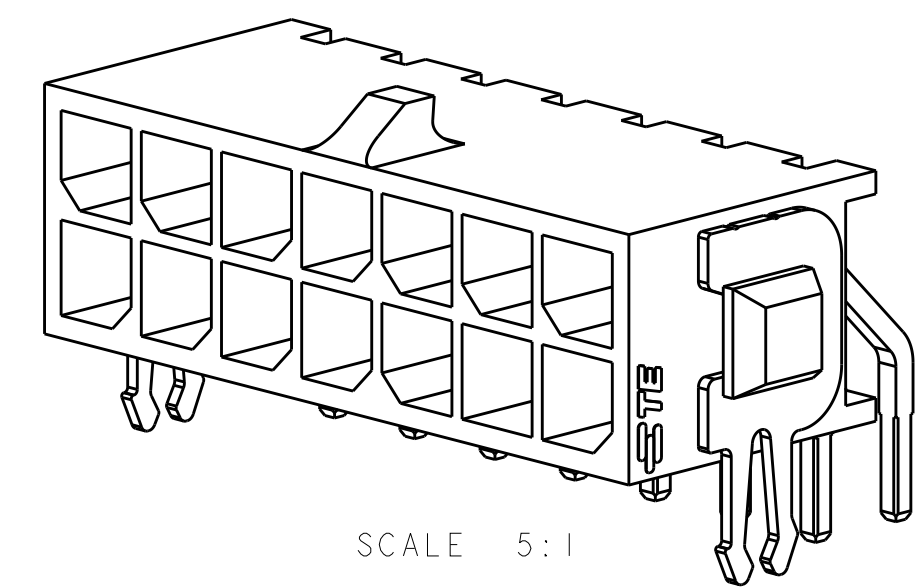
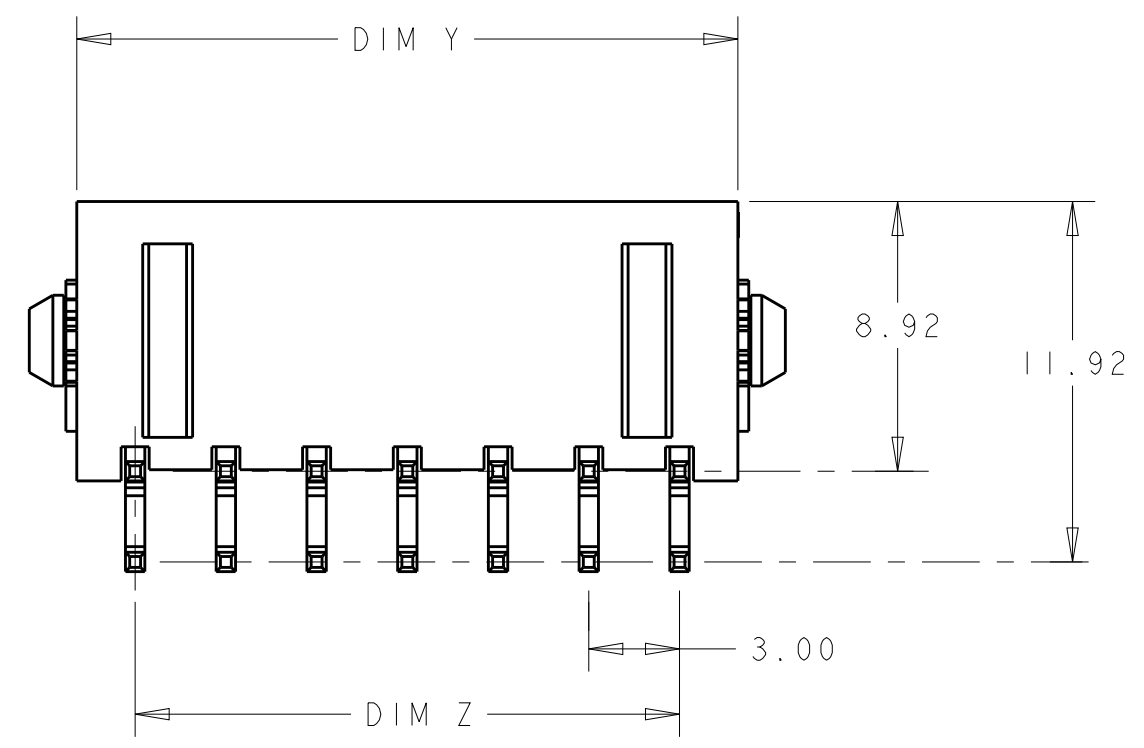


THIS DRAWING IS UNPUBLISHED. RELEASED FOR PUBLICATION 20
 © COPYRIGHT 20 BY - ALL RIGHTS RESERVED.

REVISIONS					
P	LTR	DESCRIPTION	DATE	DWN	APVD
G1		REVISED PER ECR-16-011494	22JUN2017	NK	CX
G2		ECO-19-006502	30APR2019	AP	WS

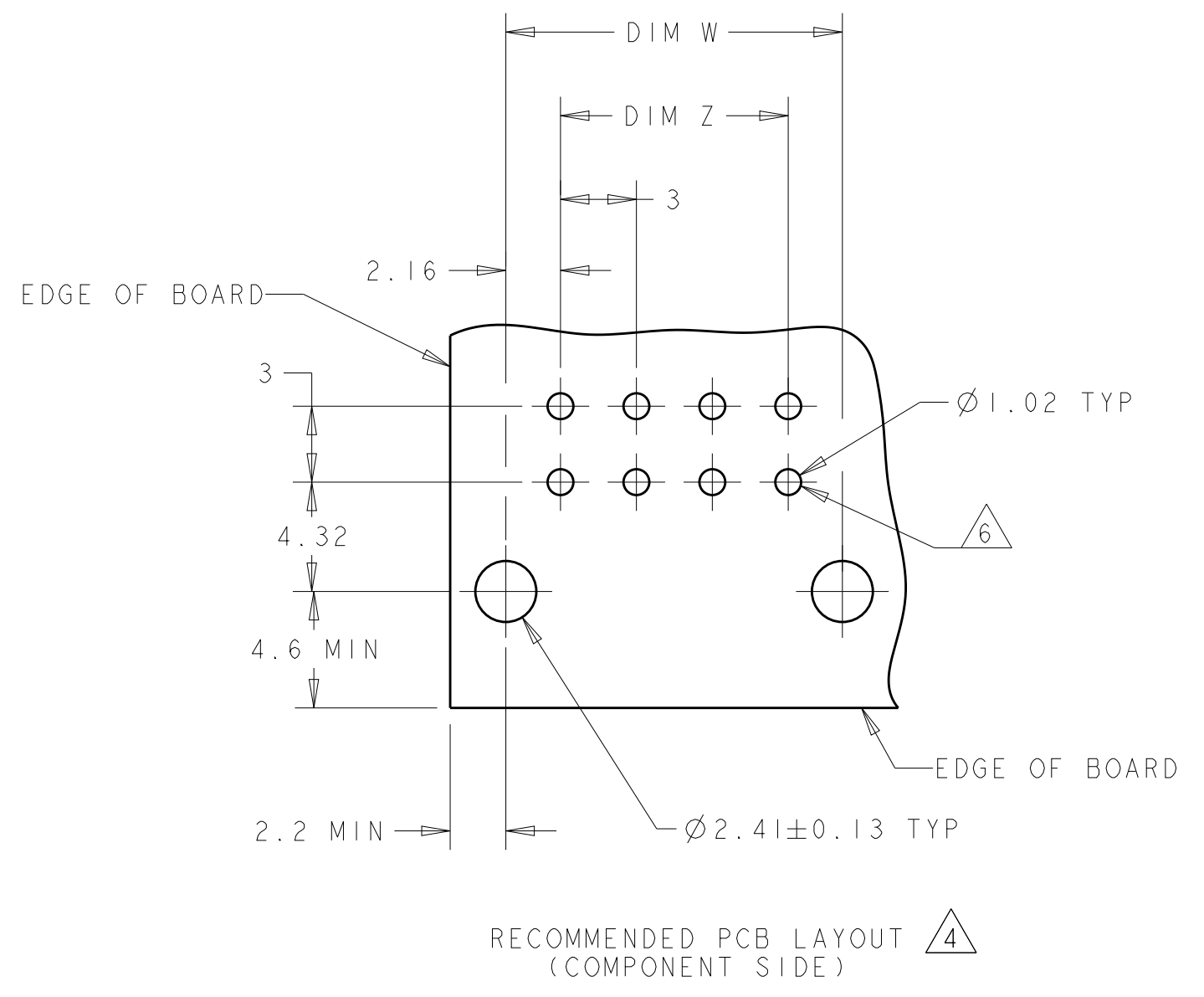


- 1 MATERIAL;
CONTACTS - BRASS.
HOUSING - UL 94V-0 RATED HIGH TEMP NYLON, COLOR; BLACK.
- 2 PLATING;
CONTACTS - 0.76µm MINIMUM GOLD OVER 2.54µm MINIMUM NICKEL ON MATING AREA. 2.54µm TIN-LEAD MINIMUM OVER 2.54µm NICKEL MINIMUM ON SOLDER TAILS.
HOLDDOWNS - 2.54µm TIN-LEAD.
- 4 RECOMMENDED PC BOARD THICKNESS OF 1.57.
- 5 PLATING;
CONTACTS - 0.76µm MINIMUM GOLD OVER 2.54µm MINIMUM NICKEL ON MATING AREA. 2.54µm MATTE TIN MINIMUM OVER 2.54µm NICKEL MINIMUM ON SOLDER TAILS.
HOLDDOWNS - 2.54µm MATTE TIN.
- 6 CIRCUIT NUMBER 1 IS LOCATED AT THE BOTTOM RIGHT WITH THE LATCH-LOCK ON TOP LOOKING INTO THE CAVITIES



5	36.86	37.30	33.00	40.00	24	5-794679-4
5	33.86	34.30	30.00	37.00	22	5-794679-2
5	30.86	31.30	27.00	34.00	20	5-794679-0
5	27.86	28.30	24.00	31.00	18	4-794679-8
5	24.86	25.30	21.00	28.00	16	4-794679-6
5	21.86	22.30	18.00	25.00	14	4-794679-4
5	18.86	19.30	15.00	22.00	12	4-794679-2
5	15.86	16.30	12.00	19.00	10	4-794679-0
5	12.86	13.30	9.00	16.00	8	3-794679-8
5	9.86	10.30	6.00	13.00	6	3-794679-6
5	6.86	7.30	3.00	10.00	4	3-794679-4
5	3.86	4.30	-	7.00	2	3-794679-2

SUPERSEDED BY 5-794679-4	2	36.86	37.30	33.00	40.00	24	2-794679-4
SUPERSEDED BY 5-794679-2	2	33.86	34.30	30.00	37.00	22	2-794679-2
SUPERSEDED BY 5-794679-0	2	30.86	31.30	27.00	34.00	20	2-794679-0
SUPERSEDED BY 4-794679-8	2	27.86	28.30	24.00	31.00	18	+794679-8
SUPERSEDED BY 4-794679-6	2	24.86	25.30	21.00	28.00	16	+794679-6
SUPERSEDED BY 4-794679-4	2	21.86	22.30	18.00	25.00	14	+794679-4
SUPERSEDED BY 4-794679-2	2	18.86	19.30	15.00	22.00	12	+794679-2
SUPERSEDED BY 4-794679-0	2	15.86	16.30	12.00	19.00	10	+794679-0
SUPERSEDED BY 3-794679-8	2	12.86	13.30	9.00	16.00	8	794679-8
SUPERSEDED BY 3-794679-6	2	9.86	10.30	6.00	13.00	6	794679-6
SUPERSEDED BY 3-794679-4	2	6.86	7.30	3.00	10.00	4	794679-4
SUPERSEDED BY 3-794679-2	2	3.86	4.30	-	7.00	2	794679-2



FINISH	DIM Y	DIM W	DIM Z	DIM X	NO. OF POSN.	PART NUMBER
SEE TABLE						

THIS DRAWING IS A CONTROLLED DOCUMENT.		DWN B. HAYMAKER 12AUG99	STE TE Connectivity
DIMENSIONS: mm		CHK K. COBLE 12AUG99	
TOLERANCES UNLESS OTHERWISE SPECIFIED:		APVD K. COBLE 12AUG99	
0 PLC ± 1 PLC ± 2 PLC ±0.13 3 PLC ± 4 PLC ± ANGLES ± FINISH SEE TABLE		PRODUCT SPEC 108-1836 APPLICATION SPEC 114-13000 WEIGHT - CUSTOMER DRAWING	
MATERIAL 1		NAME THRU-HOLE, RIGHT ANGLE, 30 GOLD HEADER, MECHANICAL BOARDLOCK, DUAL ROW, MICRO MATE-N-LOK™	RESTRICTED TO
		SIZE A20779	DRAWING NO. G-794679
		SCALE 4:1	SHEET OF REV G2

X-ON Electronics

Largest Supplier of Electrical and Electronic Components

Click to view similar products for te connectivity manufacturer:

Other Similar products are found below :

[570416-000](#) [CLTEQ-M81CE-SSRELAY-4-20V](#) [4-1633138-8](#) [1-2217206-1](#) [D38999/24FJ4AN](#) [358838-000](#) [4-1195131-0](#) [650069-000](#)
[SMD100-2](#) [CB-1022B-78](#) [RM707012](#) [RP410012](#) [MMS42](#) [1-640426-8](#) [2EDL4CM](#) [DTS20W19-11PD-3028](#) [DTS20W19-11PD-3028-LC](#)
[DTS20W19-32SD-3028-LC](#) [DTS20W19-32SD-3028](#) [RM202615](#) [NC6-P104-06](#) [TXR64AB90-3616AI](#) [MSPS103B](#) [DTS26F21-41HE](#)
[DTS26F21-41AE](#) [DTS26F21-41PE-LC](#) [DTS26F21-11SE-3028-LC](#) [1932144-1](#) [293545-4](#) [LVR125S](#) [MS27466T25F4PB](#) [CKB-38-78010](#)
[1206SFF150F/63-2](#) [5-2027513-8](#) [D38999/20JB35HA](#) [D38999/24WJ20PA](#) [1754138-1](#) [TE1500A2R2J](#) [DTS24F25-29PC-3028-LC](#) [164-8033-](#)
[08](#) [D38999/24WG11HA](#) [D38999/24WG11HN](#) [MS27467T21F11H](#) [DJT16E21-11HA](#) [1206SFH150F/24-2](#) [1-532955-3](#) [DTS20W19-32SA-](#)
[3028-LC](#) [DTS24F19-11SC-3028-LC](#) [DTS24F19-11SC-3028](#) [D38999/20WC8BB](#)