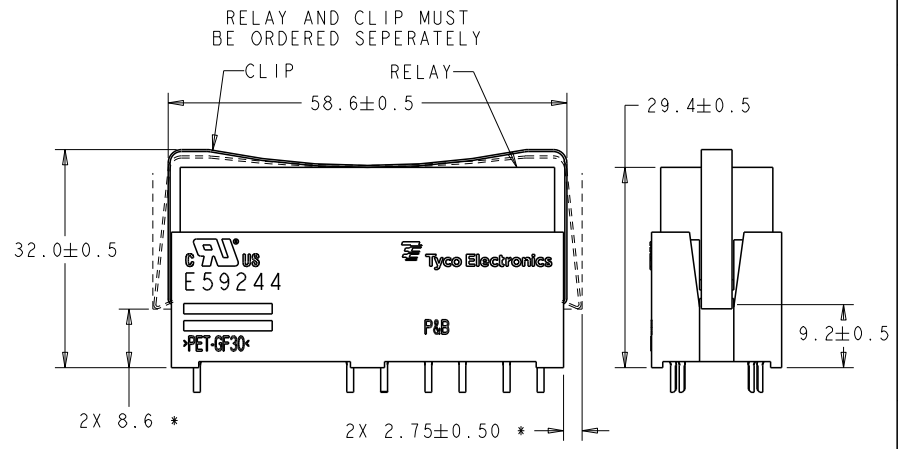
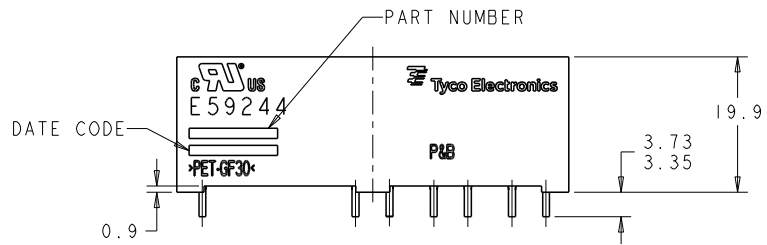
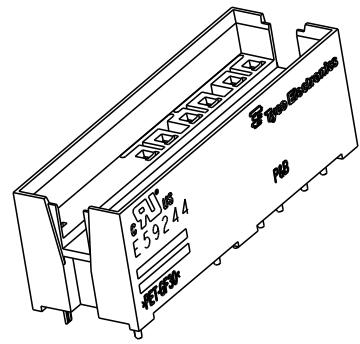
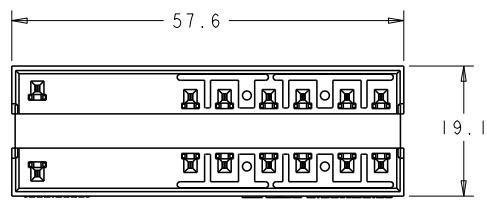


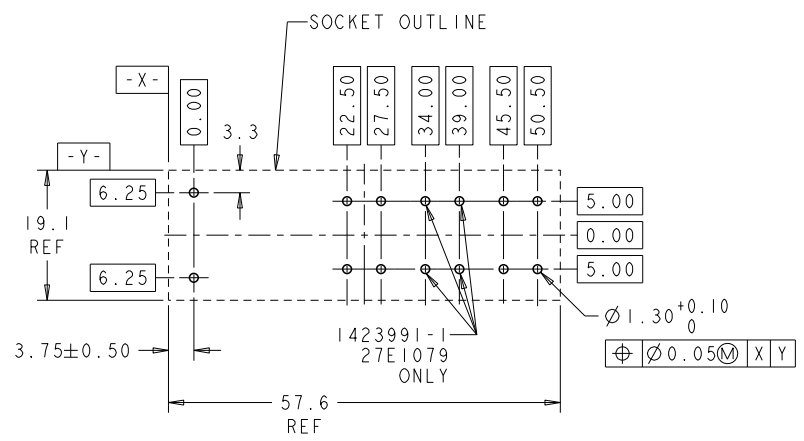
THIS DRAWING IS UNPUBLISHED. RELEASED FOR PUBLICATION 20
 © COPYRIGHT 20 BY TYCO ELECTRONICS CORPORATION. ALL RIGHTS RESERVED.

LOC	DISP	REVISIONS			
P	LTR	DESCRIPTION	DATE	DRN	APVD
0		RELEASED PER GPRO4-062	23JUL2004	TCS	HL
A		ECR-05-000005	5JAN2005	TCS	HL
B		ECR-10-023228	02DEC2010	JS	WW
-	-	-	-	-	-



RELAY AND CLIP MUST BE ORDERED SEPARATELY

CLIP CLEARANCE INFORMATION ONLY
 * = CLEARANCE NEEDED TO INSTALL/REMOVE CLIP



SUGGESTED PCB LAYOUT (BOTTOM VIEW)

- NOTES:
 1. MATERIAL: CONTACTS - COPPER ALLOY HOUSING - FR-PET, 30% GLASS, COLOR - BLACK
 2. PLATING: CONTACTS - HALT-TIN DIPPED

27E1080	1423991-2	10
27E1079	1423991-1	14
P&B PART NUMBER	TYCO ELECTRONICS PART NUMBER	NUMBER OF POSITIONS

DIMENSIONS:		TOLERANCES UNLESS OTHERWISE SPECIFIED:		DRN	DATE	Tyco Electronics	
mm		0 PLC	±0.5	J. C. YOSLER	26 JAN 2004	Tyco Electronics Harrisburg, PA 17105-3608	
		1 PLC	±0.5	W. J. RUDY	28 JAN 2004		
		2 PLC	±0.13				
		3 PLC	±0.013				
		4 PLC	±0.0081				
MATERIAL	FINISH	ANGLES	±0.0081	PRODUCT SPEC			
				APPLICATION SPEC			
				SIZE	CAGE CODE	DRAWING NO	RESTRICTED TO
				A2	00779	C=1423991	
				CUSTOMER DRAWING	SCALE	SHEET	OF
					2:1	1	1
							REV
							B

X-ON Electronics

Largest Supplier of Electrical and Electronic Components

Click to view similar products for [Relay Sockets & Fixings](#) category:

Click to view products by [TE Connectivity](#) manufacturer:

Other Similar products are found below :

[00008258500](#) [00111976502](#) [0000-825-81-00](#) [60SY4S05](#) [M41G](#) [670-0125](#) [670-0127](#) [6700152](#) [670-0153](#) [6700156](#) [D258-2TS00](#) [70-309](#) [7-1393143-3](#) [7-1616360-5](#) [8000-DG2-5](#) [911361](#) [9-1616339-5](#) [PJF11N](#) [GDA12HA](#) [GDA12HD](#) [GDA12SA](#) [GDA12SD](#) [GDA16HD](#) [GDA22HA](#) [GDA95A](#) [GDA95D](#) [GFX20](#) [PT08QN](#) [PT 1/8 D = 3.2](#) [GUA1](#) [GUA2-11](#) [GUA4-04](#) [GUA4-31](#) [GUM5R](#) [GUR-120](#) [GUR-24](#) [GUR-240](#) [GUR-277](#) [GURX-277](#) [GUW12](#) [GUW95](#) [GUZ63L](#) [R99-11 FOR MY\(NAMEPLATE\)](#) [D52PR2T](#) [RES100K](#) [1310H-HDC](#) [1390H-1ST](#) [1393824-3](#) [1390H-2PC](#) [1410-2SM](#)