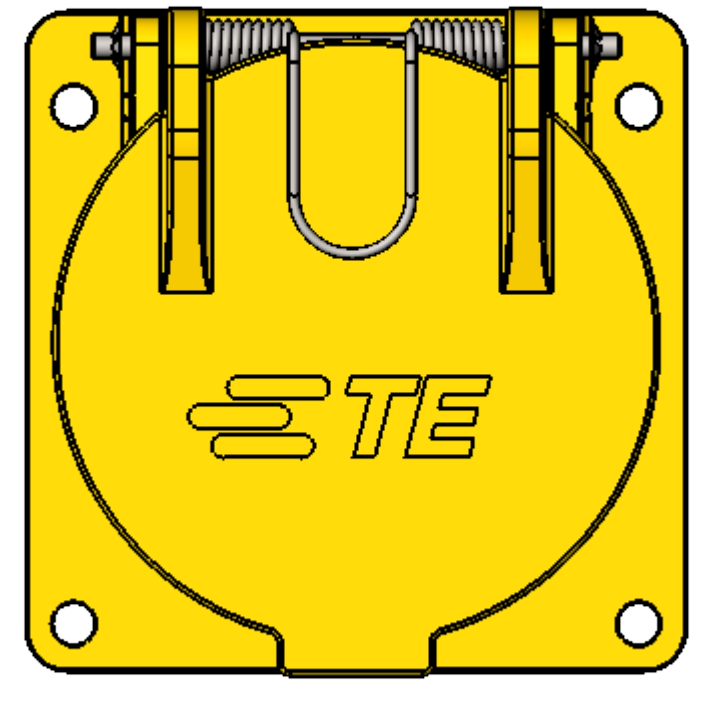
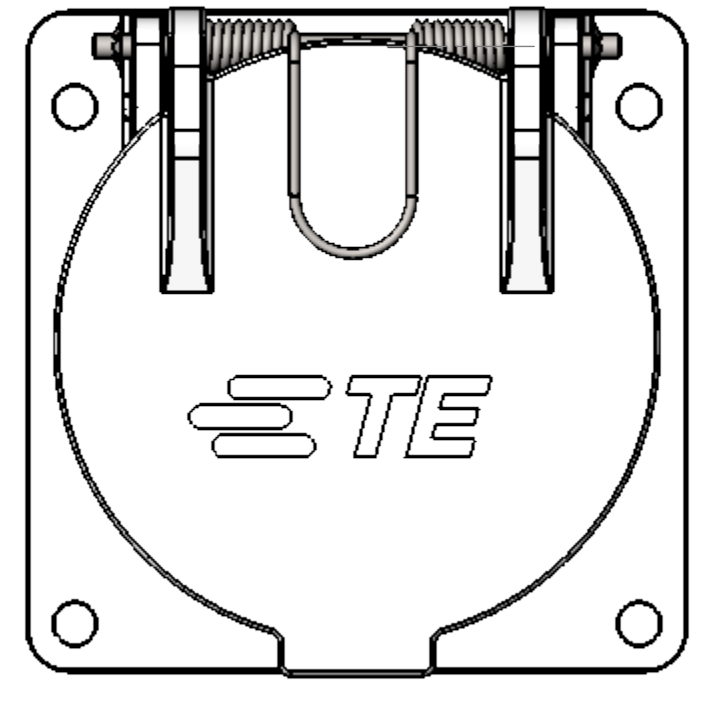


Project NR		REVISIONS			
P	LTW	DESCRIPTION	DATE	BY	APPD
D		Add item 9, 10 and 11 = Add mats 9 (refusion 23162)	10SEP2016	MB	MV
E		Add mats 10 + update product spec & production spec = 1023162	10SEP2016	EL	MV
F		Change Ref box Item 8 (Ass 0054-0054) (1018-09)	10DEC2018	TP	MV

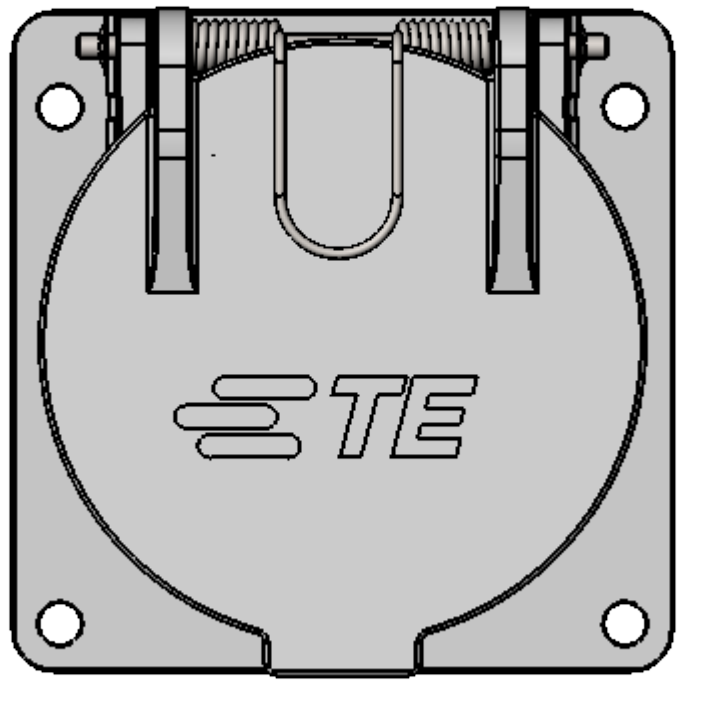
Référence commerciale / Commercial reference  
27P-DUM-Y (color yellow)



Référence commerciale / Commercial reference  
27P-DUM-W (color white)

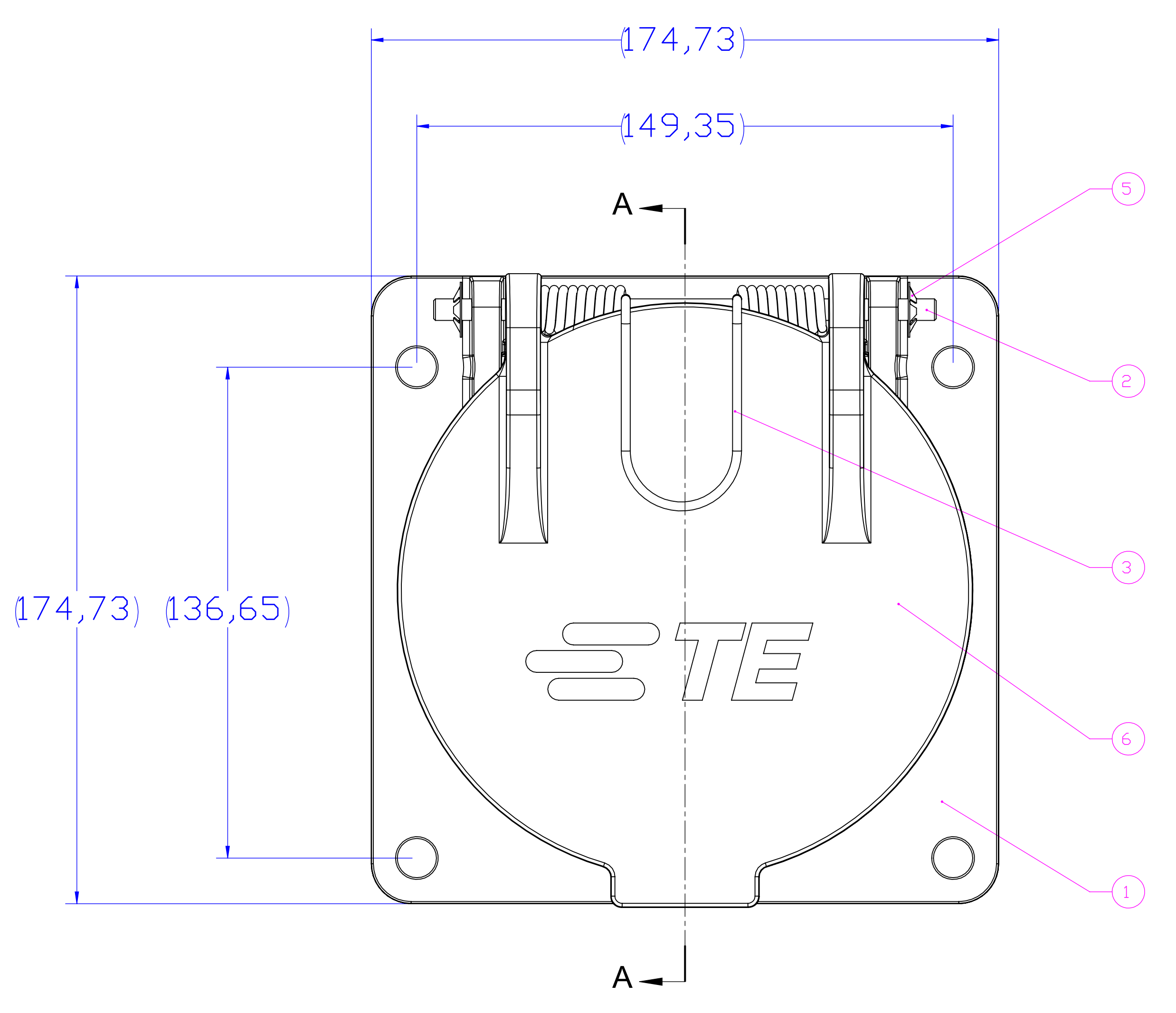
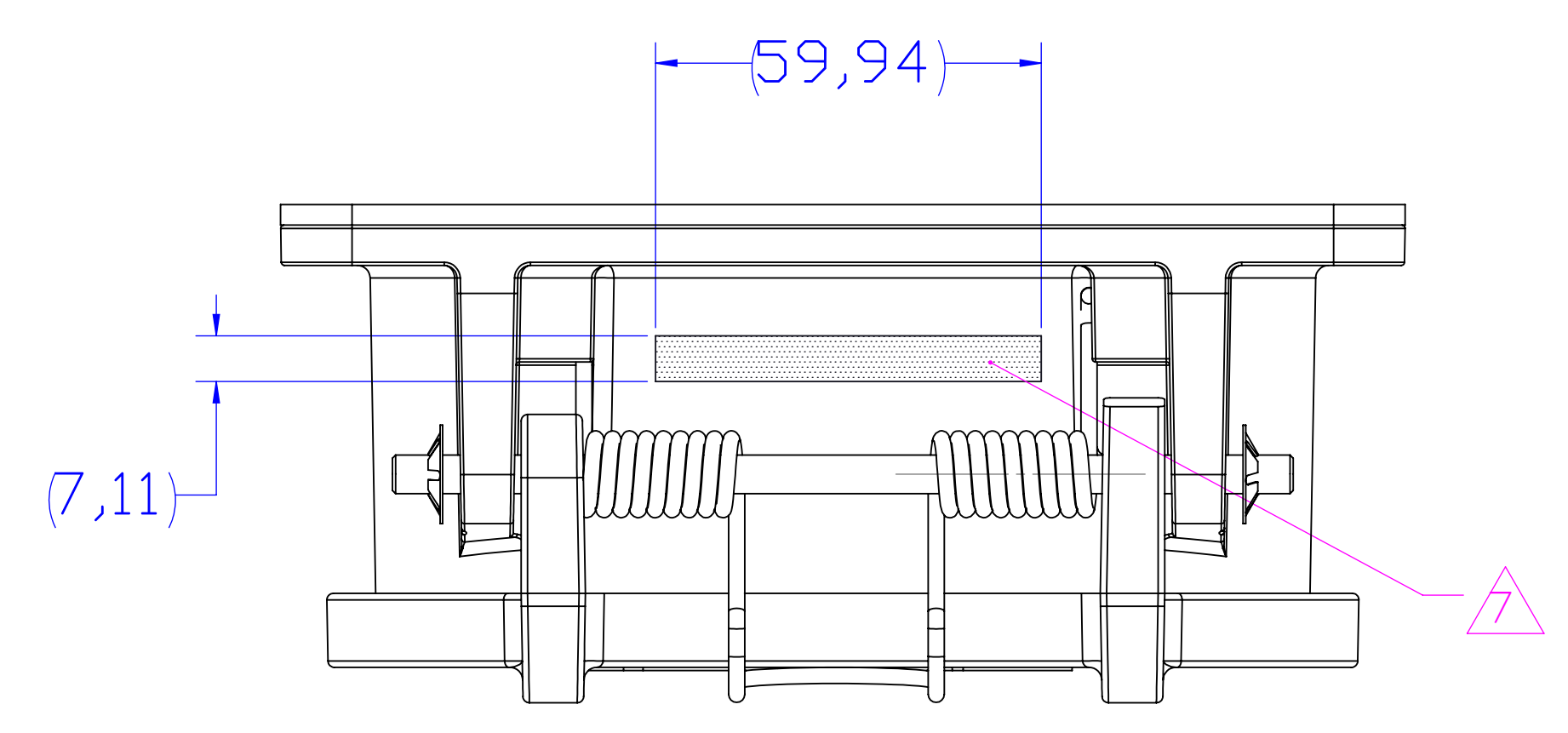


Référence commerciale / Commercial reference  
27P-DUM-0-01 (without color)

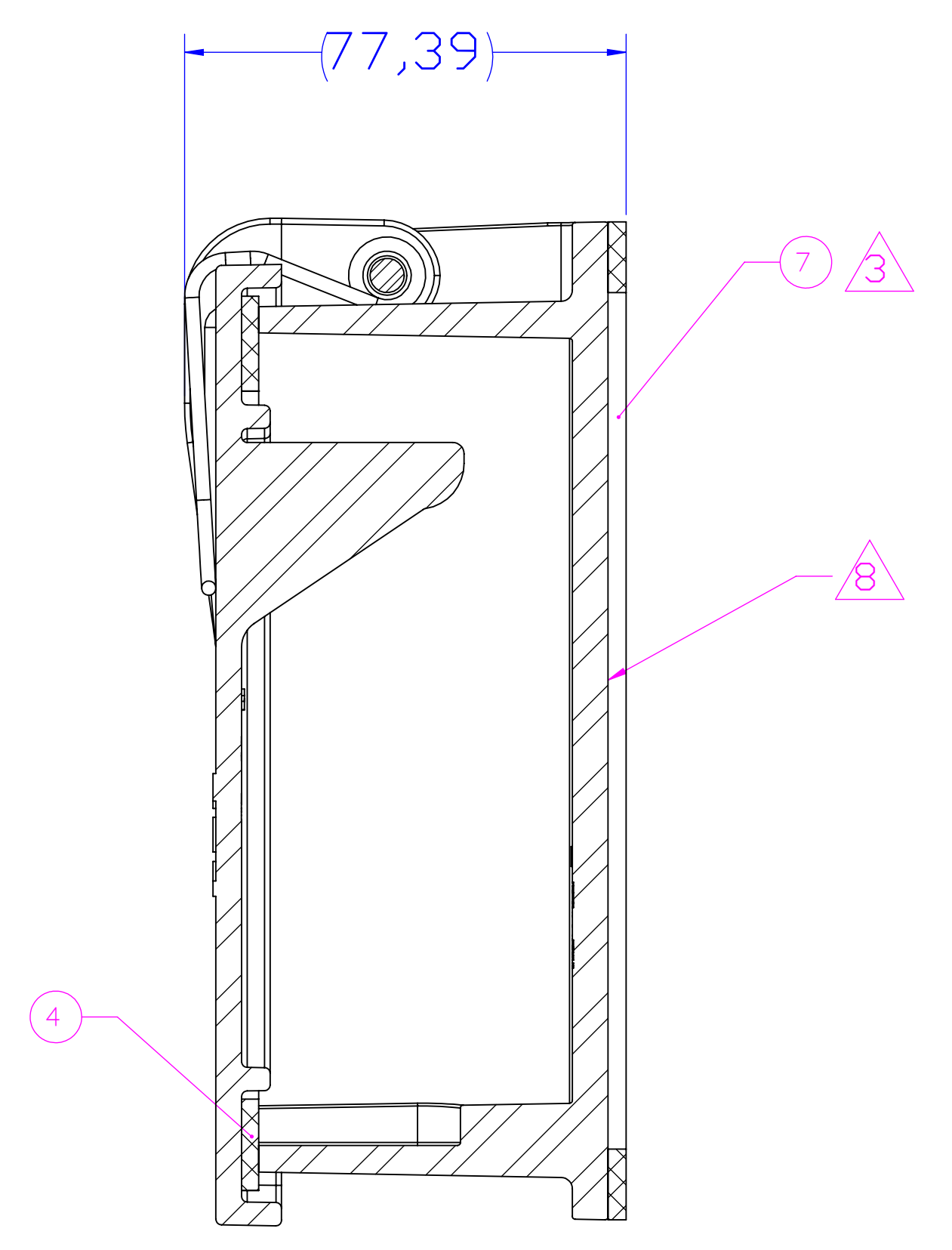


- ( ) : cotes pour information / dimensions for information  
( ) : cotes de controle / inspection dimensions
- Instructions de mise en oeuvre à appliquer par le client  
Customer instructions to be applied by the customer

- ⚠ Receptacle gasket is sold tied on the receptacle
- ⚠ Yellow paint
- ⚠ White paint
- 6 Work instruction according to 118-157000-3
- ⚠ Laser marking :  
TE + Commercial reference + Year-Week
- ⚠ Dummy receptacle completely enclosed
- ⚠ A label with the commercial reference and the complete BOM is glued on the cardboard
- 10 Standards :  
AAR 5-51E, APTA RP-E-019-99
- 11 Packaging Specification 107-157003



A-A VIEW



Reference BE Engineering reference		Commercial reference														
VE-UC-211944A-0000	VE-UC-211944B-0000	27P-DUM-0-01	27P-DUM-W	27P-DUM-Y												
X	X	X					Paper	5,00	1	YSPEC-408-157000-3	Mounting instruction	11				
X	X	X						1,50	1	0206-0329AS	Dehydrating bag	10				
X	X	X					Plastic	0,50	2	0158-0001-X	Collar	9				
X	X	X					Carton									
X	X	X						30,00	1	Y00000-0206-0105AS	Box	8				
X	X	X					FMEL 31015				Neoprene	52,30	1	YA-UC-211297A-VN00	Gasket	7
		X					FMME 4010	Cr3 conversion	Aluminium	376,80	1	YG-UC-211287A-JG08	Cover	6		
		X					FMME 4010	Cr3 conversion	Aluminium	376,80	1	YG-UC-211287A-JG07	Cover	6		
X							FMME 4010	Cr3 conversion	Aluminium	376,80	1	YG-UC-211287A-JG8E	Cover	6		
X	X	X									Stainless steel	0,17	2	Y0000000-7105-06-I	Self locking ring	5
X	X	X					FMEL 31016				Neoprene	14,29	1	1504-0019A4	Gasket	4
X	X	X					FMME 3034				Stainless steel	3,56	1	1504-0005A4	Spring	3
X	X	X					FMME 3017				Stainless steel	3,95	1	1504-0018A4	Axis	2
		X					FMME 4010	Cr3 conversion	Aluminium	965,15	1	YG-UC-211317A-JG08	Dummy receptacle	1		
		X					FMME 4010	Cr3 conversion	Aluminium	965,15	1	YG-UC-211317A-JG07	Dummy receptacle	1		
X							FMME 4010	Cr3 conversion	Aluminium	965,15	1	YG-UC-211317A-JG8E	Dummy receptacle	1		
							Remarks	Data sheet	Plating	Material	Weight (g)	Qty	Part number	Designation	Item	

Référence commerciale / Commercial reference : see table

THIS DRAWING IS A CONTROLLED DOCUMENT.

DESIGNED BY: R. BONNIN	DATE: 27.JUL.2015	APPROVED BY: J.F. GALIPAUD	DATE: 27.JUL.2015
DRAWING NO: 408-157000-3	PRODUCT SPEC: 108-157001	APPLICATION SPEC: 408-157000-3	WEIGHT: 1504.32 g

Customer Drawing

Scale: 1:1

Sheet: 1 of 1

REV: F

STE Connectivity

Boîte de repos  
Dummy receptacle

Part No: E1894-211944

## X-ON Electronics

Largest Supplier of Electrical and Electronic Components

*Click to view similar products for [Standard Circular Connector](#) category:*

*Click to view products by [TE Connectivity](#) manufacturer:*

Other Similar products are found below :

[5M2530B10P](#) [600259N006](#) [600273N007](#) [6134-336-13149](#) [6134-337-11149](#) [6134-337-2390](#) [6134-341-17149](#) [6280-4SG-516](#) [6280-7SG-3DC](#)  
[6290](#) [6291A](#) [66200A-10](#) [680-SMG](#) [681-PMG](#) [CXS3102A14S2P](#) [CXS3102A181S](#) [7251-5SG-300](#) [7271-6SG-300](#) [7282-3PG-300-CH3](#) [75-](#)  
[474618-01S](#) [75-474618-04P](#) [75-474618-04S](#) [799539-000](#) [MI8-SE](#) [805-005-07NF11-19PC](#) [805-005-07NF15-7PA](#) [8280-4PG-516](#) [8280-7PG-](#)  
[519](#) [8282-5PG-519](#) [836783-1](#) [MP-4102-25P-C](#) [862256-1](#) [864019-2](#) [866857-1](#) [867865-1](#) [PT01SP-14-18P](#) [PT08P-14-5S](#) [PTSF06SE-14-12S](#)  
[120-1833-000](#) [QCM019PC2DC012B](#) [1-2069279-1](#) [121583-0217](#) [121667-0020](#) [129591AU](#) [1000B BULK](#) [RD10A16-19-P6CS051/1](#)  
[RD10A20-31-P8CS051/1](#) [RD16A14-12-S6CS051/2](#) [1301240290](#) [1301240347](#) [1301860202](#)