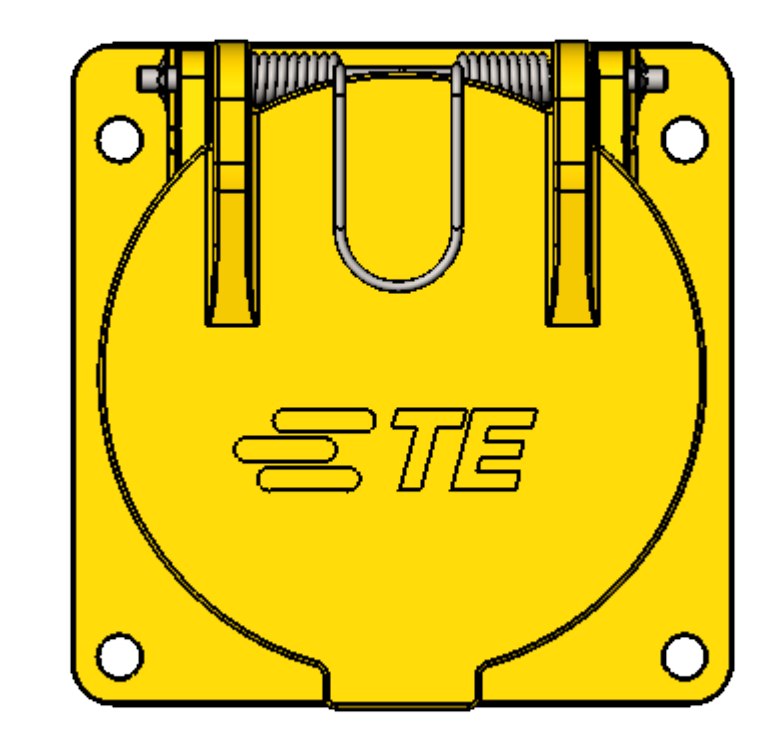
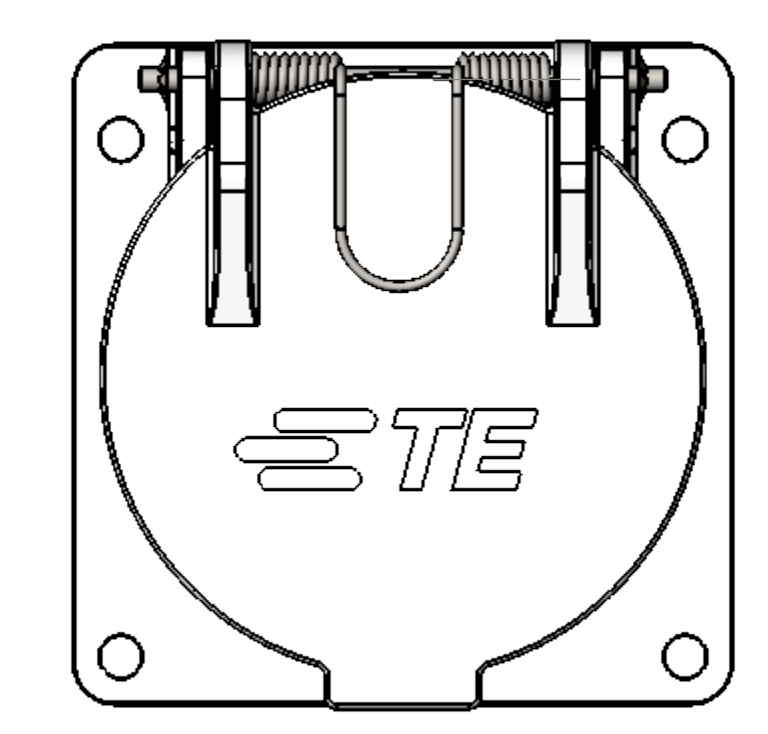


Project NR		REVISIONS			
P	LTW	DESCRIPTION	DATE	BY	APPD
D		Add item 9, 10 and 11 = Add mats 9 (refusion 23162)	10APR2016	MB	MV
E		Add mats 10 + update product spec & production spec - 10757000-3114	20SEP2016	EL	MV
F		Change Ref box Item 8 (Ass 0054-0054) (106-19)	13DEC2018	TP	MV

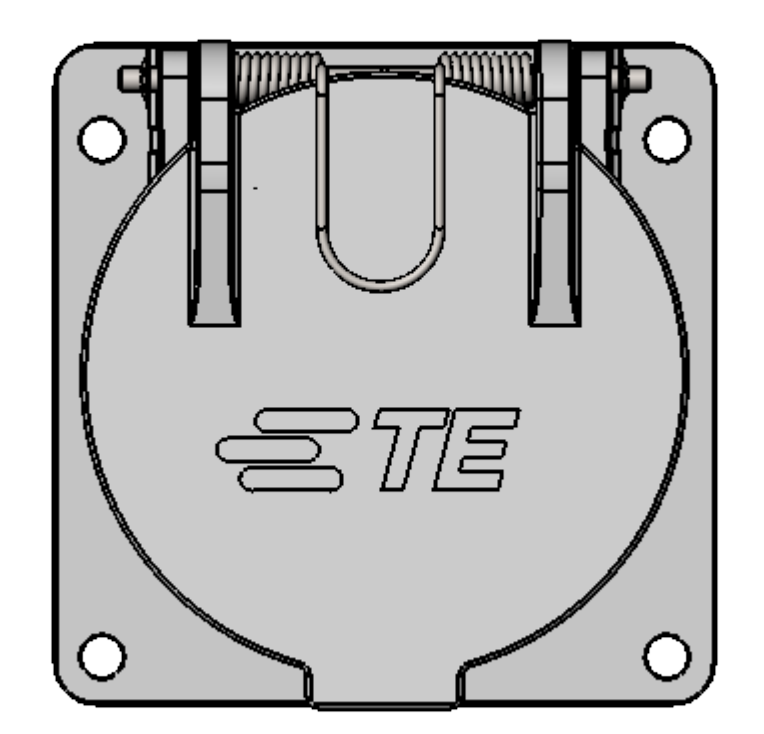
Référence commerciale / Commercial reference
27P-DUM-Y (color yellow)



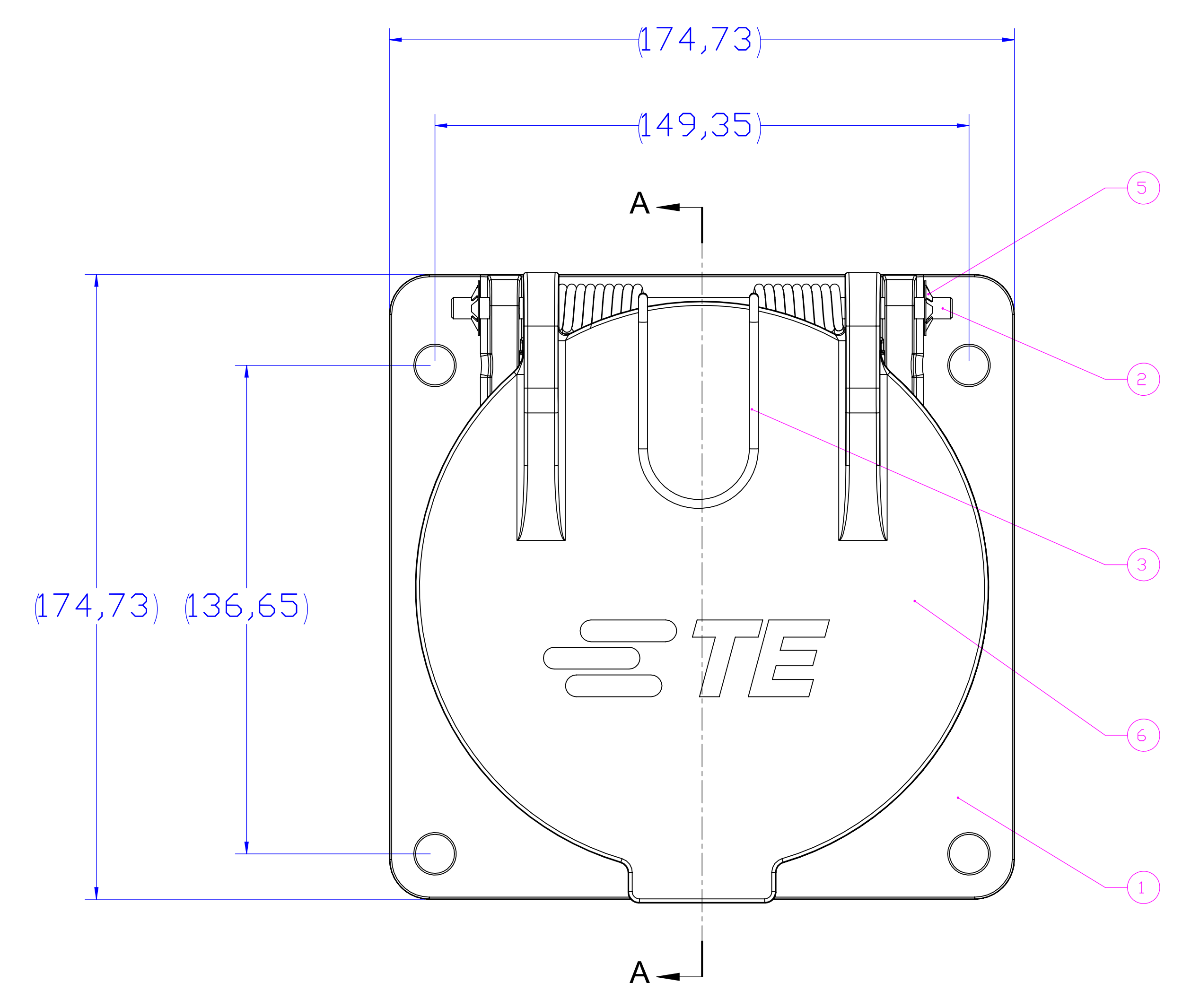
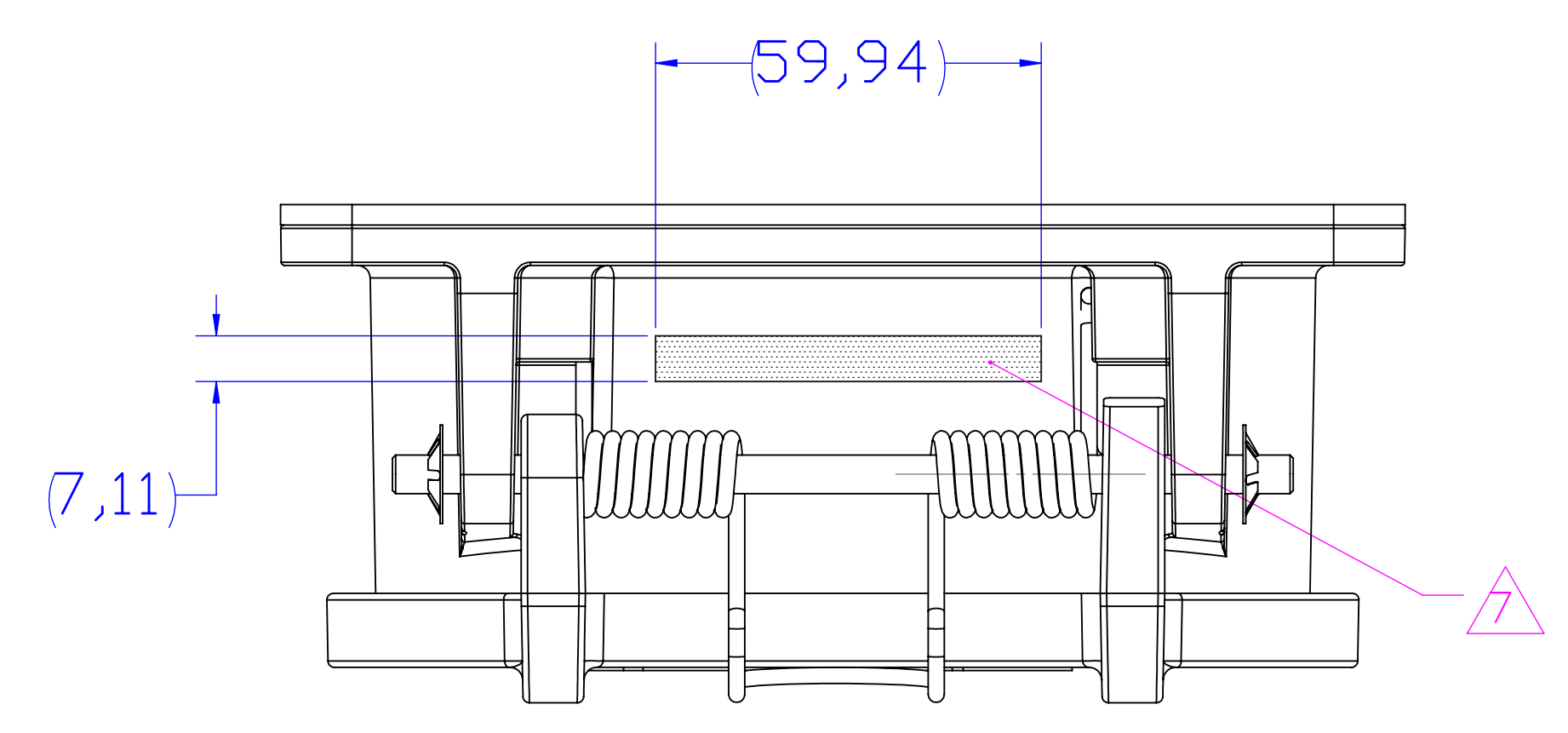
Référence commerciale / Commercial reference
27P-DUM-W (color white)



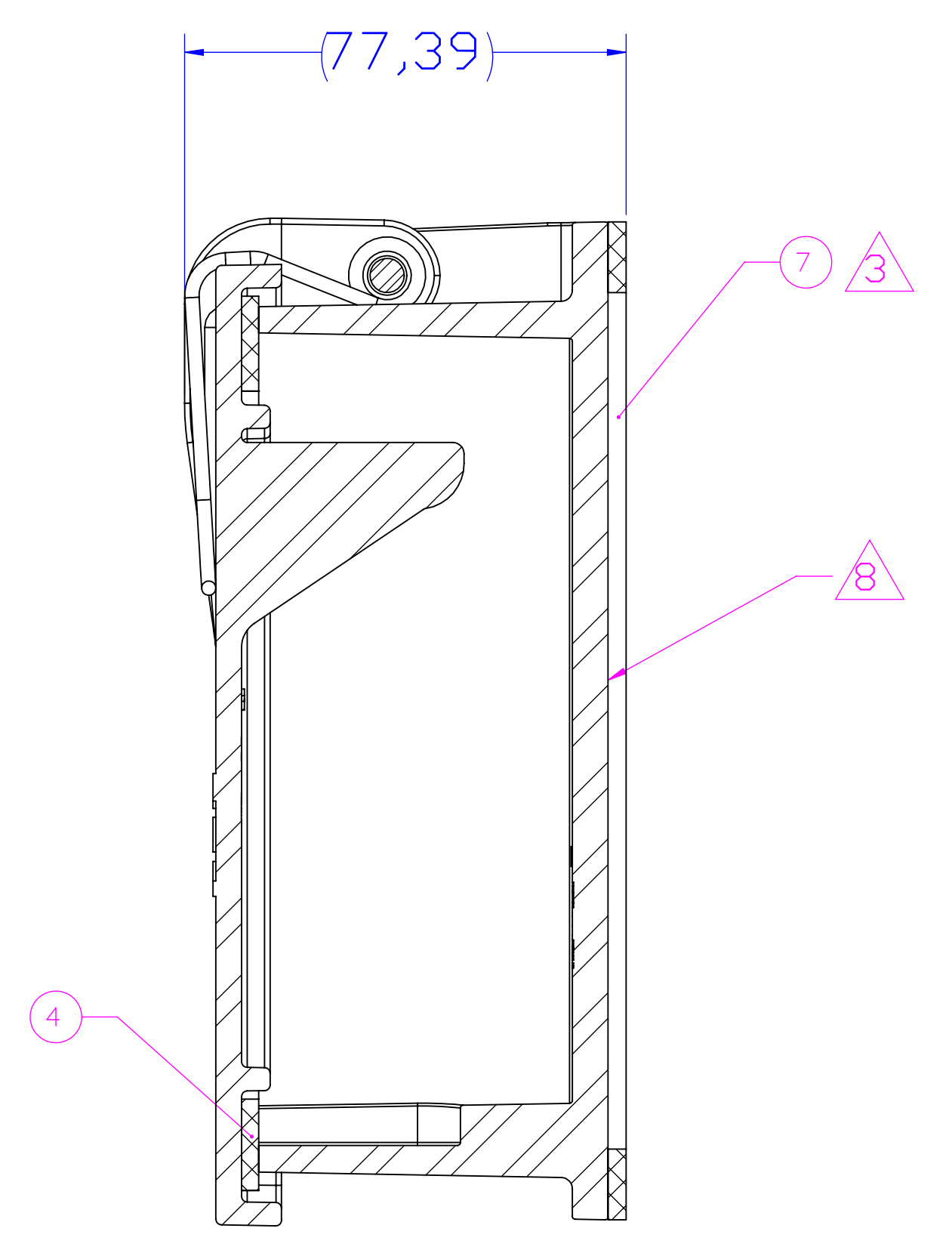
Référence commerciale / Commercial reference
27P-DUM-0-01 (without color)



- () : cotes pour information / dimensions for information
() : cotes de controle / inspection dimensions
- Instructions de mise en oeuvre à appliquer par le client
Customer instructions to be applied by the customer
- Receptacle gasket is sold tied on the receptacle
- Yellow paint
- White paint
- Work instruction according to 118-157000-3
- Laser marking :
TE + Commercial reference + Year-Week
- Dummy receptacle completely enclosed
- A label with the commercial reference and the complete BOM is glued on the cardboard
- Standards :
AAR 5-51E, APTA RP-E-019-99
- Packaging Specification 107-157003



A-A VIEW



Reference BE Engineering reference		Commercial reference		Material		Weight (g)	Qty	Part number	Designation	Item			
VE-UC-211944A-0000	VE-UC-211944B-0000	27P-DUM-0-01	27P-DUM-W	27P-DUM-Y									
X	X	X			Paper	5,00	1	YSPEC-408-157000-3	Mounting instruction	11			
X	X	X				1,50	1	0206-0329AS	Dehydrating bag	10			
X	X	X			Plastic	0,50	2	0158-0001-X	Collar	9			
X	X	X			Carton	30,00	1	Y00000-0206-0105AS	Box	8			
X	X	X			FMEL 31015	52,30	1	YA-UC-211297A-VN00	Gasket	7			
		X			FMME 4010 Cr3 conversion	376,80	1	YG-UC-211287A-JG08	Cover	6			
		X			FMME 4010 Cr3 conversion	376,80	1	YG-UC-211287A-JG07	Cover	6			
X					FMME 4010 Cr3 conversion	376,80	1	YG-UC-211287A-JG8E	Cover	6			
X	X	X				0,17	2	Y0000000-7105-06-I	Self locking ring	5			
X	X	X			FMEL 31016	14,29	1	1504-0019A4	Gasket	4			
X	X	X			FMME 3034	3,56	1	1504-0005A4	Spring	3			
X	X	X			FMME 3017	3,95	1	1504-0018A4	Axis	2			
		X			FMME 4010 Cr3 conversion	965,15	1	YG-UC-211317A-JG08	Dummy receptacle	1			
		X			FMME 4010 Cr3 conversion	965,15	1	YG-UC-211317A-JG07	Dummy receptacle	1			
X					FMME 4010 Cr3 conversion	965,15	1	YG-UC-211317A-JG8E	Dummy receptacle	1			
					Remarks	Data sheet	Plating	Material	Weight (g)	Qty	Part number	Designation	Item

Référence commerciale / Commercial reference : see table

THIS DRAWING IS A CONTROLLED DOCUMENT.

DESIGNED BY: R. BONNIN	DATE: 27.JUL.2015	APPROVED BY: J.F. GALIPAUD	DATE: 27.JUL.2015
DRAWING NO: 408-157000-3	PRODUCT SPEC: 108-157001	APPLICATION SPEC: 408-157000-3	WEIGHT: 1504.32 g

Customer Drawing

Scale: 1:1

Sheet: 1 of 1

REV: F

STE TE Connectivity

Boîte de repos
Dummy receptacle

Part No: E1894-211944

X-ON Electronics

Largest Supplier of Electrical and Electronic Components

Click to view similar products for [Standard Circular Connector](#) category:

Click to view products by [TE Connectivity](#) manufacturer:

Other Similar products are found below :

[5M2530B10P](#) [600259N006](#) [600273N007](#) [6134-336-13149](#) [6134-337-11149](#) [6134-337-2390](#) [6134-341-17149](#) [6280-4SG-516](#) [6280-7SG-3DC](#)
[6290](#) [6291A](#) [66200A-10](#) [680-SMG](#) [681-PMG](#) [CXS3102A14S2P](#) [CXS3102A181S](#) [7251-5SG-300](#) [7271-6SG-300](#) [7282-3PG-300-CH3](#) [75-](#)
[474618-01S](#) [75-474618-04P](#) [75-474618-04S](#) [799539-000](#) [MI8-SE](#) [805-005-07NF11-19PC](#) [805-005-07NF15-7PA](#) [8280-4PG-516](#) [8280-7PG-](#)
[519](#) [8282-5PG-519](#) [836783-1](#) [MP-4102-25P-C](#) [862256-1](#) [864019-2](#) [866857-1](#) [867865-1](#) [PT01SP-14-18P](#) [PT08P-14-5S](#) [PTSF06SE-14-12S](#)
[120-1833-000](#) [QCM019PC2DC012B](#) [1-2069279-1](#) [121583-0217](#) [121667-0020](#) [129591AU](#) [1000B BULK](#) [RD10A16-19-P6CS051/1](#)
[RD10A20-31-P8CS051/1](#) [RD16A14-12-S6CS051/2](#) [1301240290](#) [1301240347](#) [1301860202](#)