

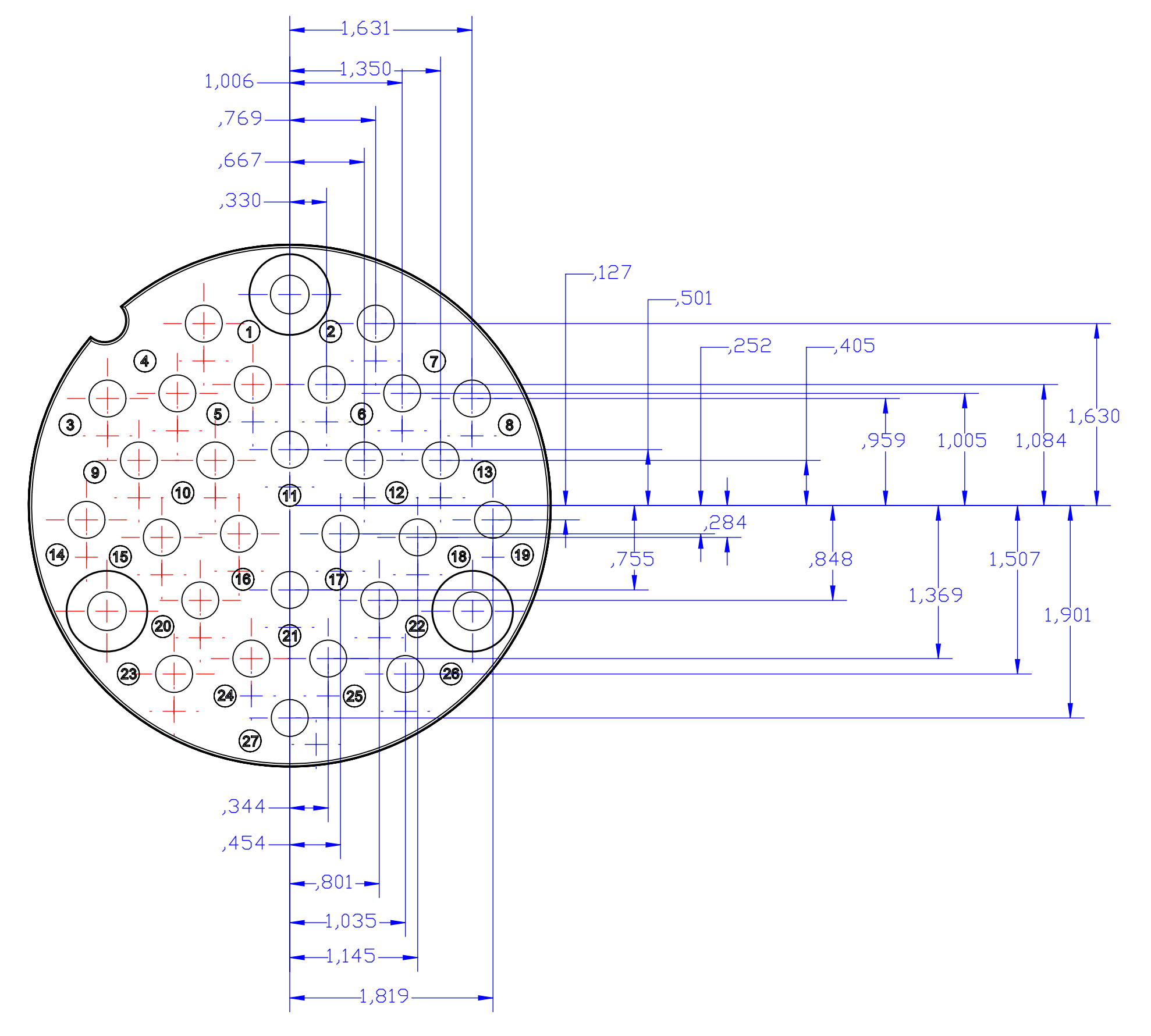
Vue isométrique - Echelle 1:2
Isometric view - Scale 1:2



Vue isométrique - Echelle 1:2
Isometric view - Scale 1:2

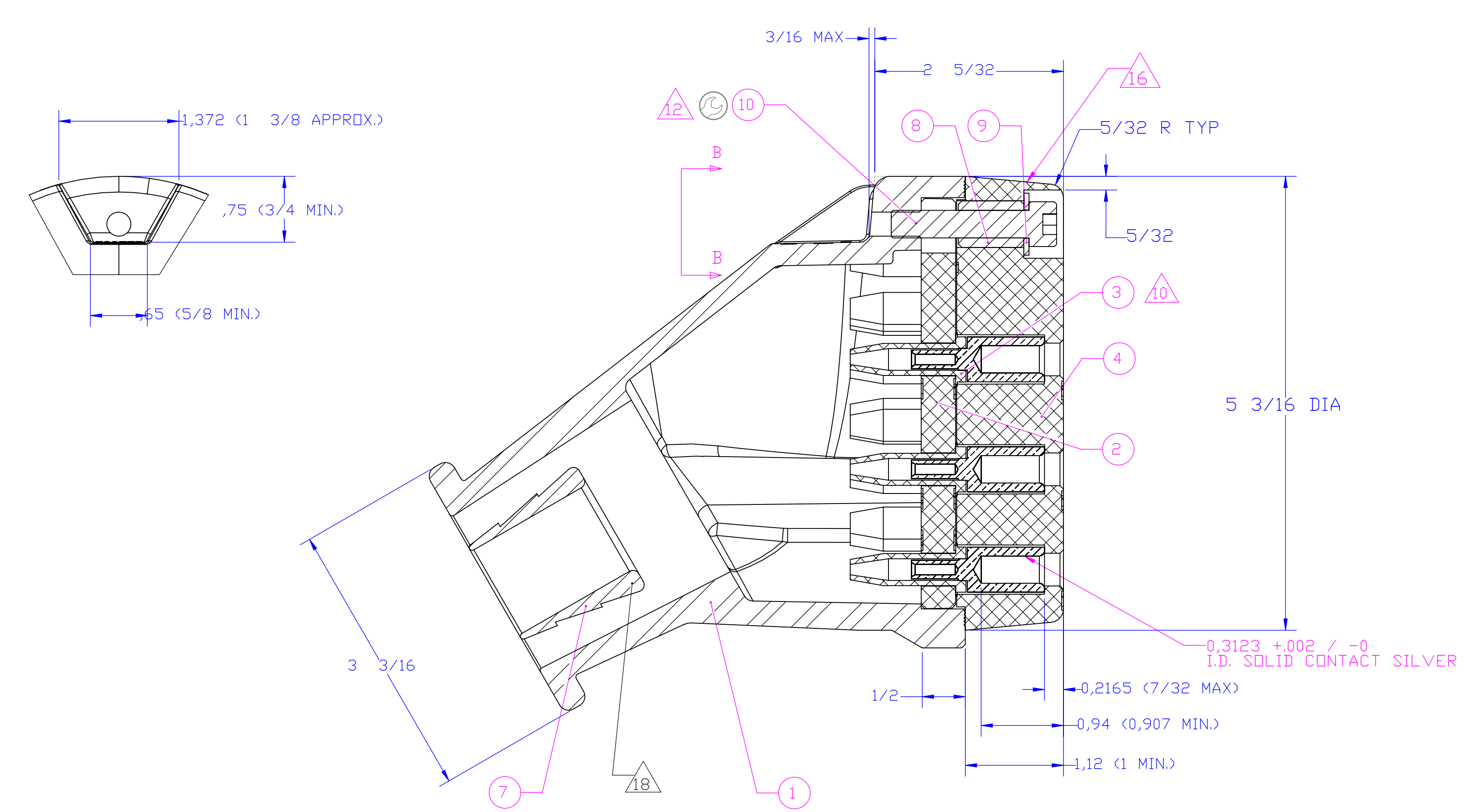


INSULATOR VIEW
SCALE 1:1

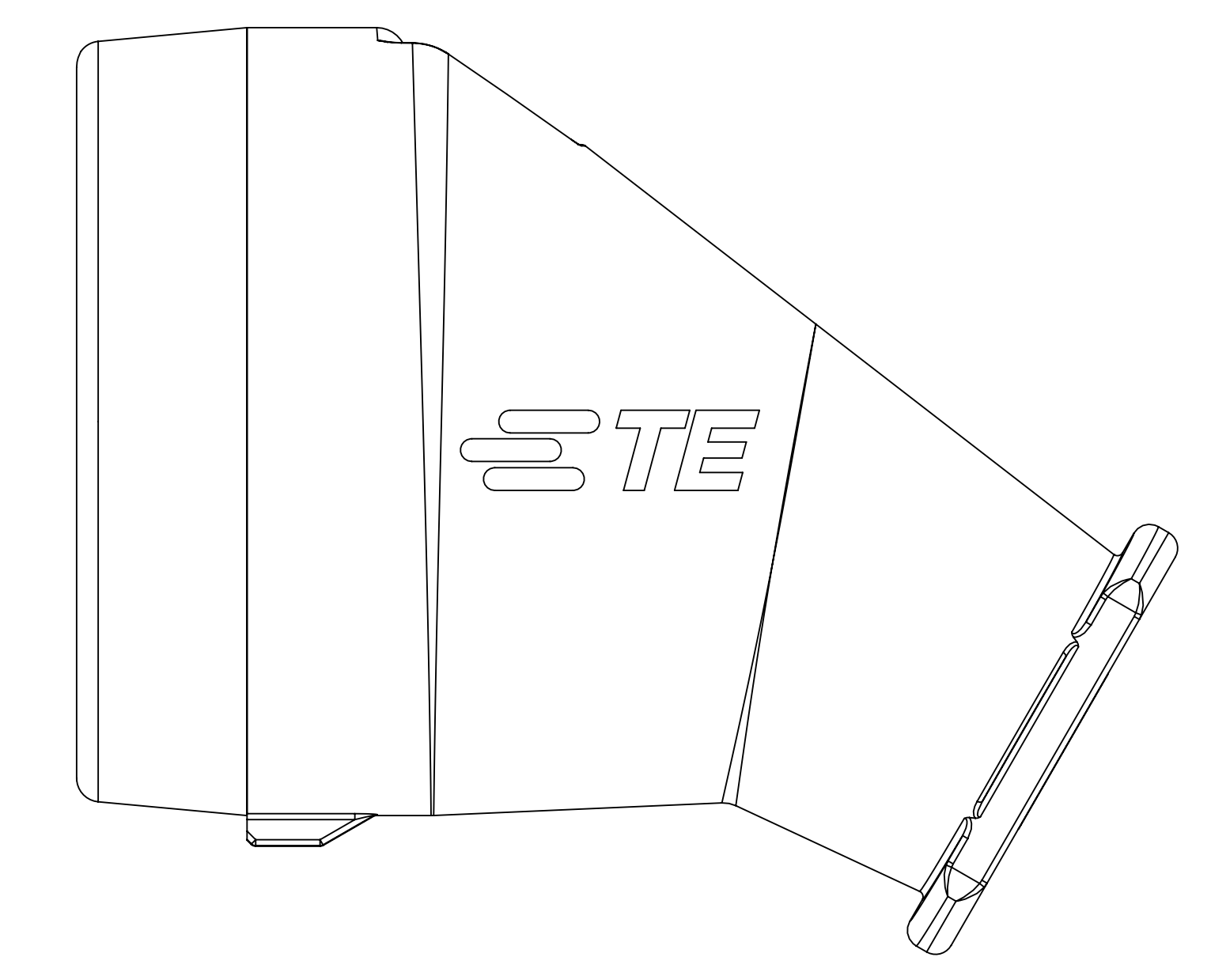
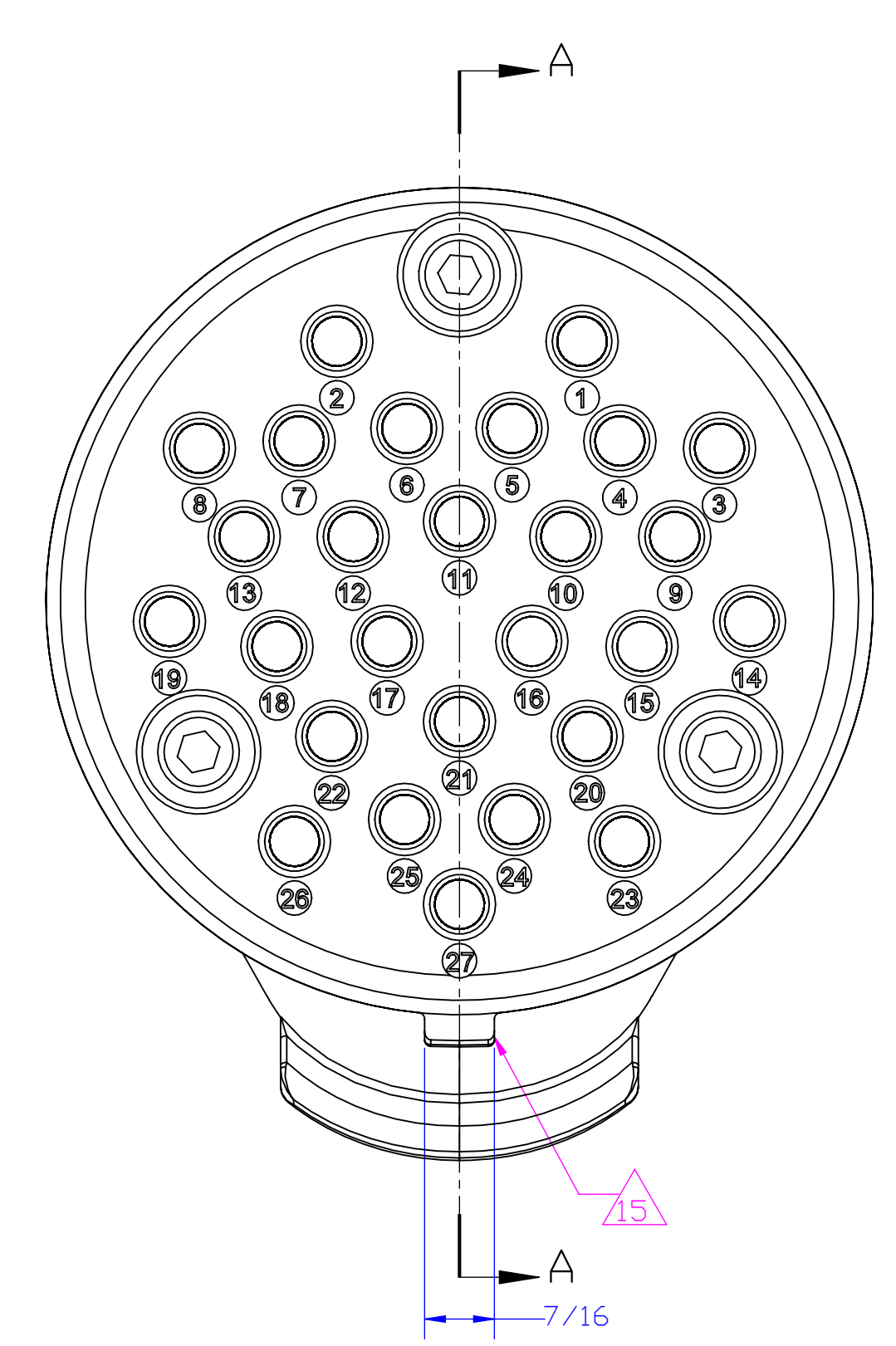
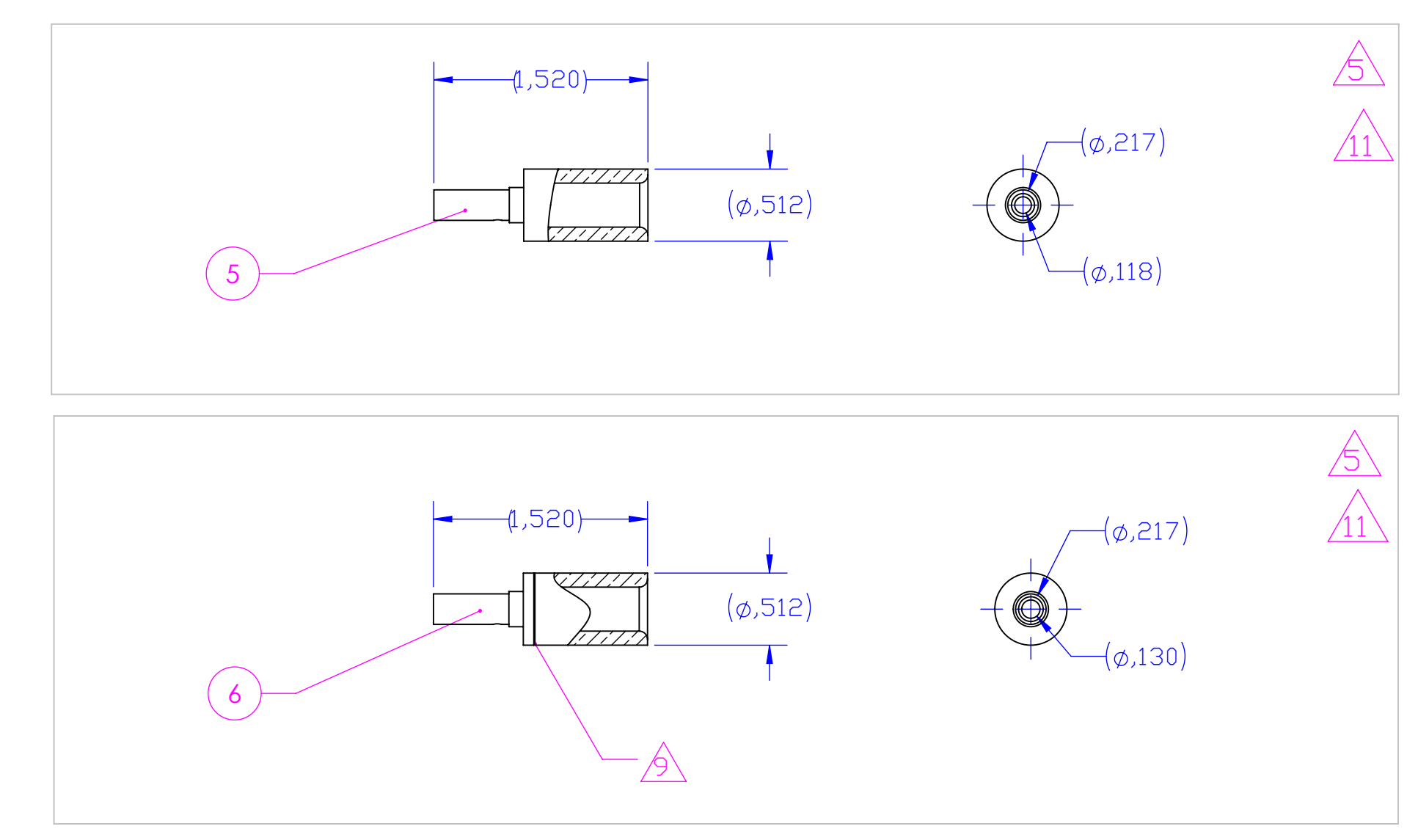
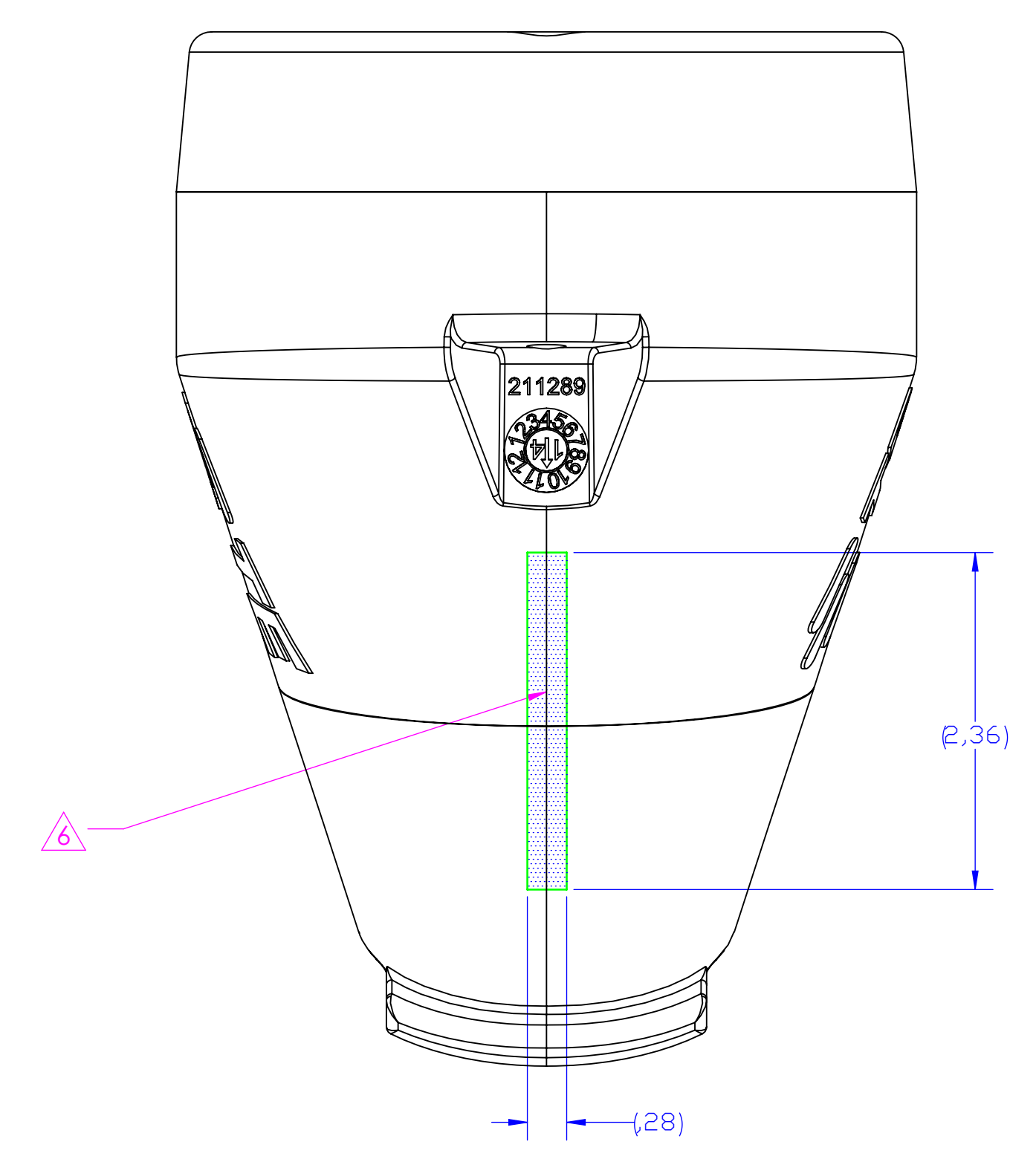


A-A VIEW

B-B VIEW



Item	Material	Weight (g)	Qty	Part number	Designation	Item		
	Paper	5	1	YSPEC-408-157000-2	Mounting instruction	12		
		1,5	1	0206-0329AS	Dehydrating bag	12		
	Carton	60	1	Y00000-0206-0217AS	Carton box	11		
	Stainless steel	23,2	3	CHCM08x40-1	Screw CHC	10		
	Stainless steel	2,56	3	MU-08-1	Plain washer	9		
	FMME 3017	Stainless steel	1,72	1504-0030U4	Spacer	8		
	FMME 4016	Aluminium	15,26	YA-UC-212590A-JQ00	Clamping cone	7		
	Silver plating	FMME 1001	Brass	58,74	1	YS-UC-212601A-AA1A	KIT with 3 female contacts 10 AWG	6
	Silver plating	FMME 1001	Brass	473,57	1	YS-UC-212602A-AA1A	KIT with 24 female contacts 12 and 14 AWG	5
	FMEL 31017	Neoprene	258,63	1	YK-UC-211288A-YU00	Female insert	4	
	FMEL 31016	Neoprene	1,4	27	1504-0008A4	Sleeve	3	
	FTMP 651	Polycarbonate	124,8	1	YK-UC-211276A-QK00	Mixed insulator	2	
	Cr-3 conversion	FMME 4010	Aluminium	1037,57	1	YF-UC-211290A-JG7A	Plug body - position 0	1
Remarks	Plating	Data sheet	Material	Weight (g)	Qty	Part number	Designation	Item



Project NR	REVISIONS	DATE	BY	APPV
PRJ-14-00003352	B Diffusion N°331170	28.JUL.2015	MB	MV
	C	10.APR.2016	MB	MV
	D	01.SEP.2016	EL	MV

- 1 () : cotes pour information / dimensions for information
- 1 cotes de controle / inspection dimensions
- 2 () Instructions de mise en oeuvre à appliquer par le client
Customer instructions to be applied by the customer
- ⚠ Ref. YS-UC-212601A-AA1A is a KIT with 3 contacts AWG10
- ⚠ Ref. YS-UC-212602A-AA1A is a KIT with 24 contacts AWG12/14
- ⚠ Laser marking :
TE + Commercial reference + Year-Week
- ⚠ Black paint
- 8 Work instruction according to 118-157000-2
- ⚠ Groove made to differentiate contacts
- ⚠ Sleeves packaging separately and identified
- ⚠ Daniels manual crimping tool :
- Hand crimper HX4
- Die Y543
- ⚠ Daniels pneumatic crimping tool :
- Pneumatic pump HX23
- Die Y543
- ⚠ Tightening torque = 10Nm
- ⚠ A label with the commercial reference and the complete BDM is glued on the cardbox
- Standards :
14 AAR 5-512, APTA RP-E-019-99
- ⚠ Key
- ⚠ DRAFT ANGLE
- 17 Packaging Specification 107-157003
- ⚠ Clamping cone Rep 7 suitable with hose acc. to APTA RP-E-RP-019-99 and AAR 5512 definition: 1 1/4inch in i.D. and 1 23/32 in O.D. (eg. PARKER ref. GST II BLACK 15 BAR 32x45)

Référence commerciale / Commercial reference : 27P-PLU-1-01

THIS DRAWING IS A CONTROLLED DOCUMENT.

DESIGNED BY	R. BOUIN	28 JUL 2015
CHECKED BY	J.F. GALIPAUD	28 JUL 2015
APPROVED BY	M. VIMARD	28 JUL 2015

PRODUCT SPEC: 108-157000

APPLICATION SPEC: 408-157000-2

WEIGHT: 4.480 pound

CUSTOMER DRAWING

SCALE: 1:1

SHEET: 1 OF 1

REV: 0

STE TE Connectivity

MU PLUG CONTROL

AC

©E1894-212075

X-ON Electronics

Largest Supplier of Electrical and Electronic Components

Click to view similar products for [Standard Circular Connector](#) category:

Click to view products by [TE Connectivity](#) manufacturer:

Other Similar products are found below :

[5M2530B10P](#) [600259N006](#) [600273N007](#) [6134-336-13149](#) [6134-337-11149](#) [6134-337-2390](#) [6134-341-17149](#) [6280-4SG-516](#) [6280-7SG-3DC](#)
[6290](#) [6291A](#) [66200A-10](#) [680-SMG](#) [681-PMG](#) [CXS3102A14S2P](#) [CXS3102A181S](#) [7251-5SG-300](#) [7271-6SG-300](#) [7282-3PG-300-CH3](#) [75-](#)
[474618-01S](#) [75-474618-04P](#) [75-474618-04S](#) [799539-000](#) [MI8-SE](#) [805-005-07NF11-19PC](#) [805-005-07NF15-7PA](#) [8280-4PG-516](#) [8280-7PG-](#)
[519](#) [8282-5PG-519](#) [836783-1](#) [MP-4102-25P-C](#) [862256-1](#) [864019-2](#) [866857-1](#) [867865-1](#) [PT01SP-14-18P](#) [PT08P-14-5S](#) [PTSF06SE-14-12S](#)
[120-1833-000](#) [QCM019PC2DC012B](#) [1-2069279-1](#) [121583-0217](#) [121667-0020](#) [129591AU](#) [1000B BULK](#) [RD10A16-19-P6CS051/1](#)
[RD10A20-31-P8CS051/1](#) [RD16A14-12-S6CS051/2](#) [1301240290](#) [1301240347](#) [1301860202](#)