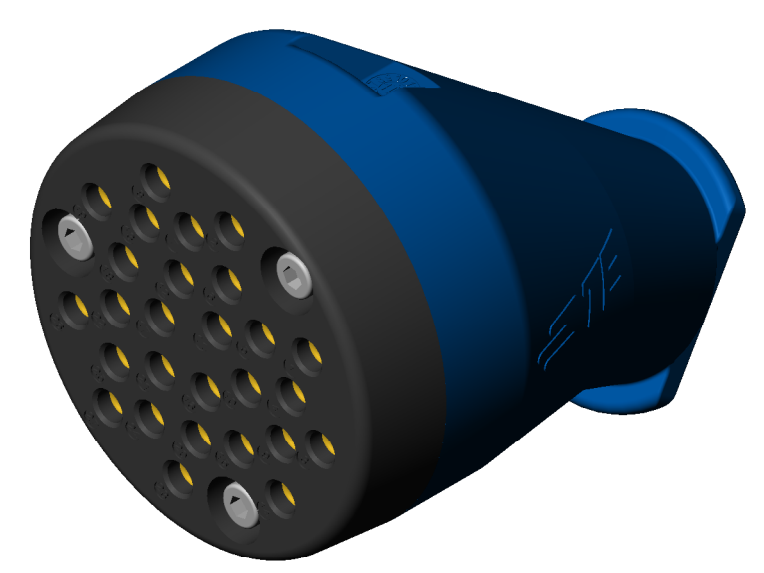


| Project NR | | REVISIONS | | | |
|------------|-----|---|-------------|-----|------|
| P | LTW | DESCRIPTION | DATE | SON | APPV |
| B | | Diffusion N°331170 | 28.JUL.2015 | MB | MV |
| C | | Add item 12 and 13 - Add note 13 | 10.APR.2016 | MB | MV |
| D | | Change reference item 5, 6 and 7 to update product spec & application note - 3074909_331170 | 01.FEB.2016 | EL | MV |

- 1 () : cotes pour information / dimensions for information
() : cotes de controle / inspection dimensions
- 2 () Instructions de mise en oeuvre à appliquer par le client
Customer instructions to be applied by the customer
- 3 Ref. YS-UC-212601A-AA1A is a KIT with 3 contacts AWG10
Ref. YS-UC-212602A-AA1A is a KIT with 24 contacts AWG12/14
- 4 Laser marking :
TE + Commercial reference + Year-Week
- 5 Blue paint
- 8 Work instruction according to 118-157000-2
- 9 Groove made to differentiate contacts
- 10 Sleeves packaging separately and identified
- 11 Daniels manual crimping tool :
- Hand crimper HX4
- Die Y543
Daniels pneumatic crimping tool :
- Pneumatic pump HX23
- Die Y543
- 12 Tightening torque = 10Nm
- 13 A label with the commercial reference and the complete BOM is glued on the cardboard
- 14 Standards :
AAR 3-512, APTA RP-E-019-99
- 15 Key
- 16 DRAFT ANGLE
- 17 Packaging Specification 107-157003
- 18 Clamping cone Rep 7 suitable with hose acc. to APTA PR-E-RP-019-99 and AAR 3512 definition, 1/4inch in I.D. and 1/23/32 in O.D. (e.g. PARKER ref. GST 11 BLACK 15 BAR 32x45)

| | | Papier | 5 | 1 | YSPEC-408-157000-2 | Instruction de montage | | | 13 |
|--------------|------------|---------------|----------|------------|--------------------|------------------------------------|-------------|--|------|
| | | Papier | 5 | 1 | 0206-0329AS | Sachet déshydratant | | | 12 |
| | | Carton | 60 | 1 | Y00000-0206-0217AS | Boîte en carton | | | 11 |
| | | Inox | 23,2 | 3 | CHCM08x40-I | Vis CHC | | | 10 |
| | | Inox | 2,56 | 3 | MU-08-I | Rondelle plate | | | 9 |
| | | Inox | 1,72 | 3 | 1504-0030U4 | Entretoise | | | 8 |
| | | Aluminium | 15,26 | 1 | YA-UC-212590A-J000 | Cône de serrage | | | 7 |
| | | Argenture | 58,74 | 1 | YS-UC-212601A-AA1A | KIT de 3 contacts femelle AWG 10 | | | 6 |
| | | Argenture | 473,57 | 1 | YS-UC-212602A-AA1A | KIT with 24 female contacts 10 AWG | | | 5 |
| | | Neoprène | 258,63 | 1 | YK-UC-211288A-YU00 | Isolant femelle | | | 4 |
| | | Neoprène | 1,4 | 27 | 1504-0008A4 | Manchon | | | 3 |
| | | Polycarbonate | 124,8 | 1 | YK-UC-211276A-QK00 | Isolant mixte | | | 2 |
| | | Aluminium | 1025,53 | 1 | YF-UC-211324A-JG05 | Corps de fiche - position 42 | | | 1 |
| Observations | Protection | Fiche matière | Matière | Masse (g) | Nbr | Codification | Désignation | | REP |
| Remarks | Plating | Data sheet | Material | Weight (g) | Qty | Part number | Designation | | Item |

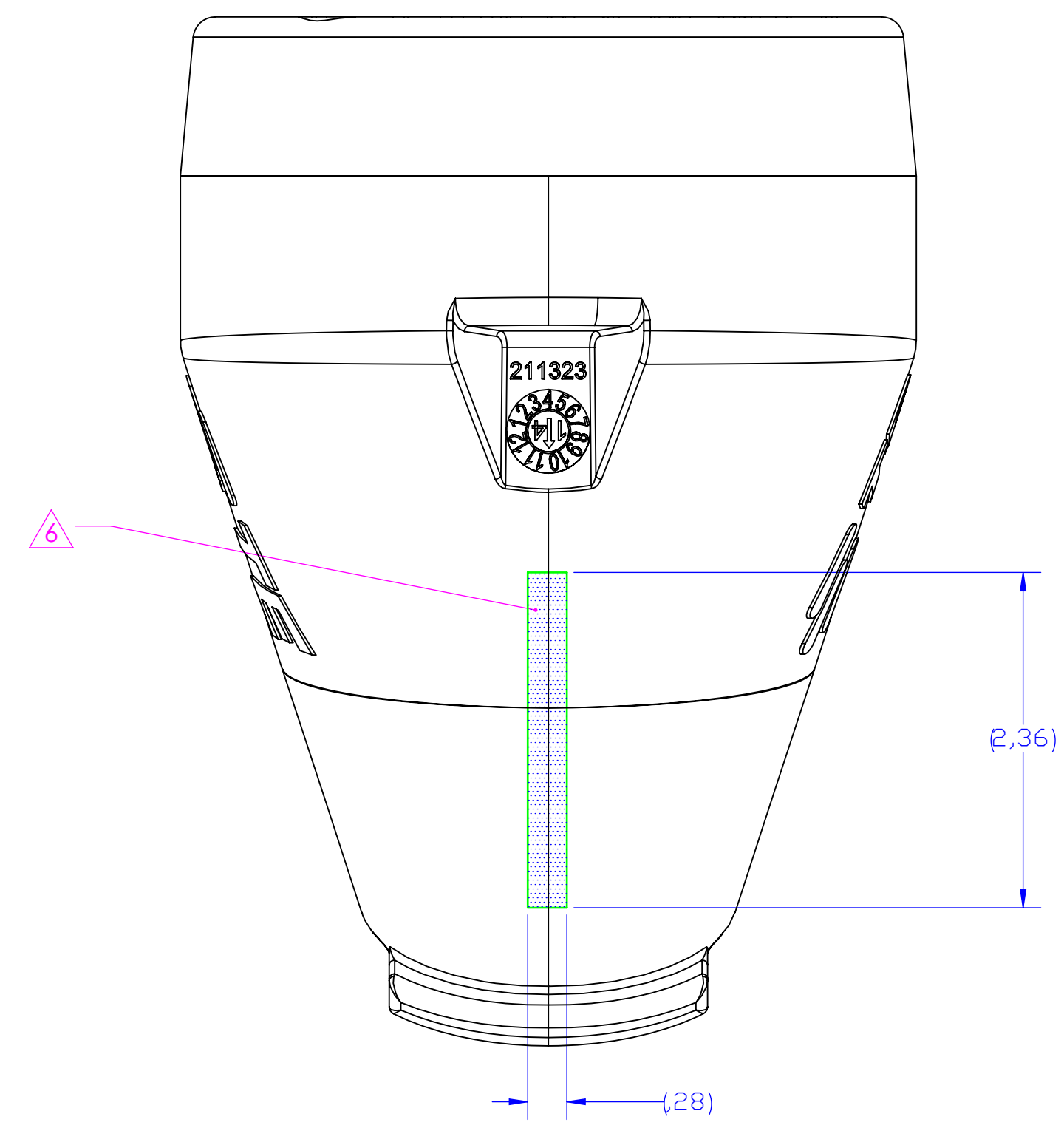
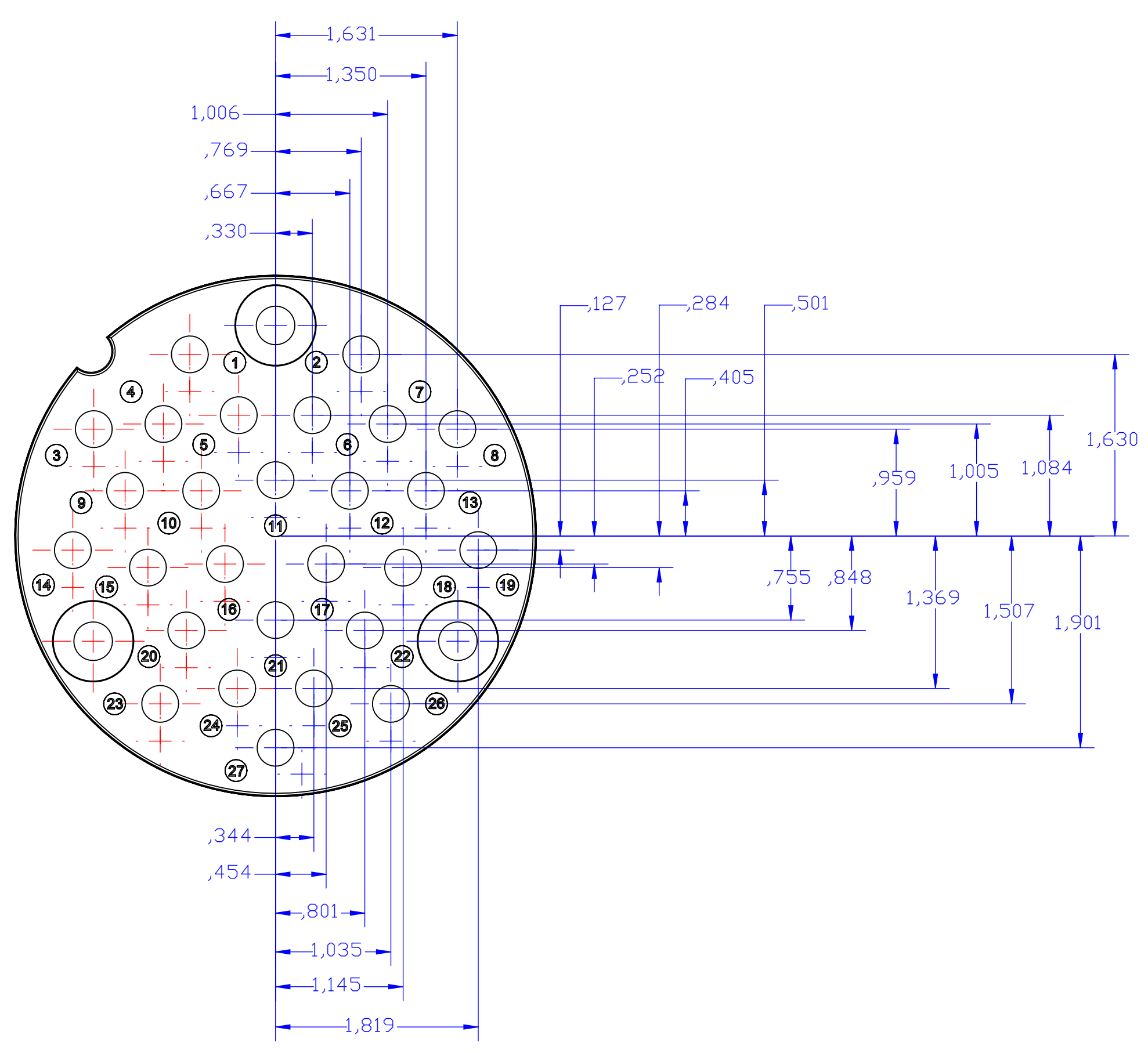
Vue isométrique - Echelle 1:2
Isometric view - Scale 1:2



Vue isométrique - Echelle 1:2
Isometric view - Scale 1:2

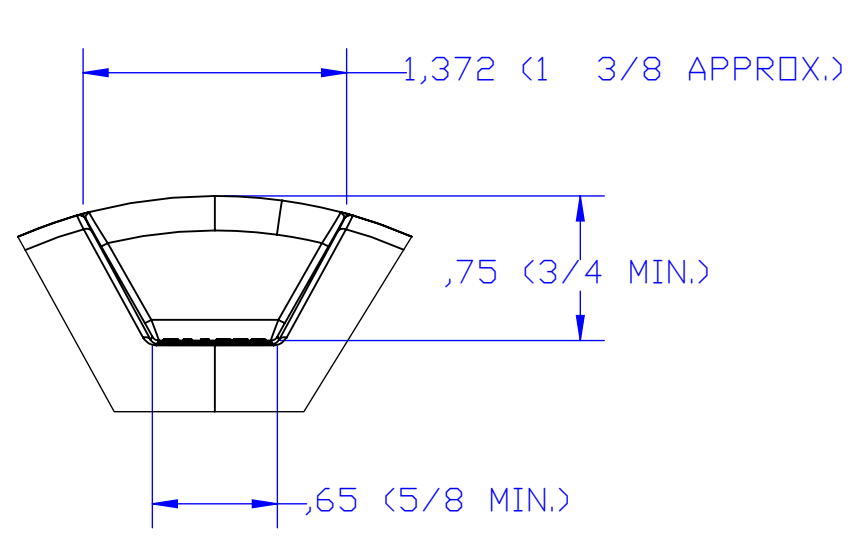


INSULATOR VIEW
SCALE 1:1

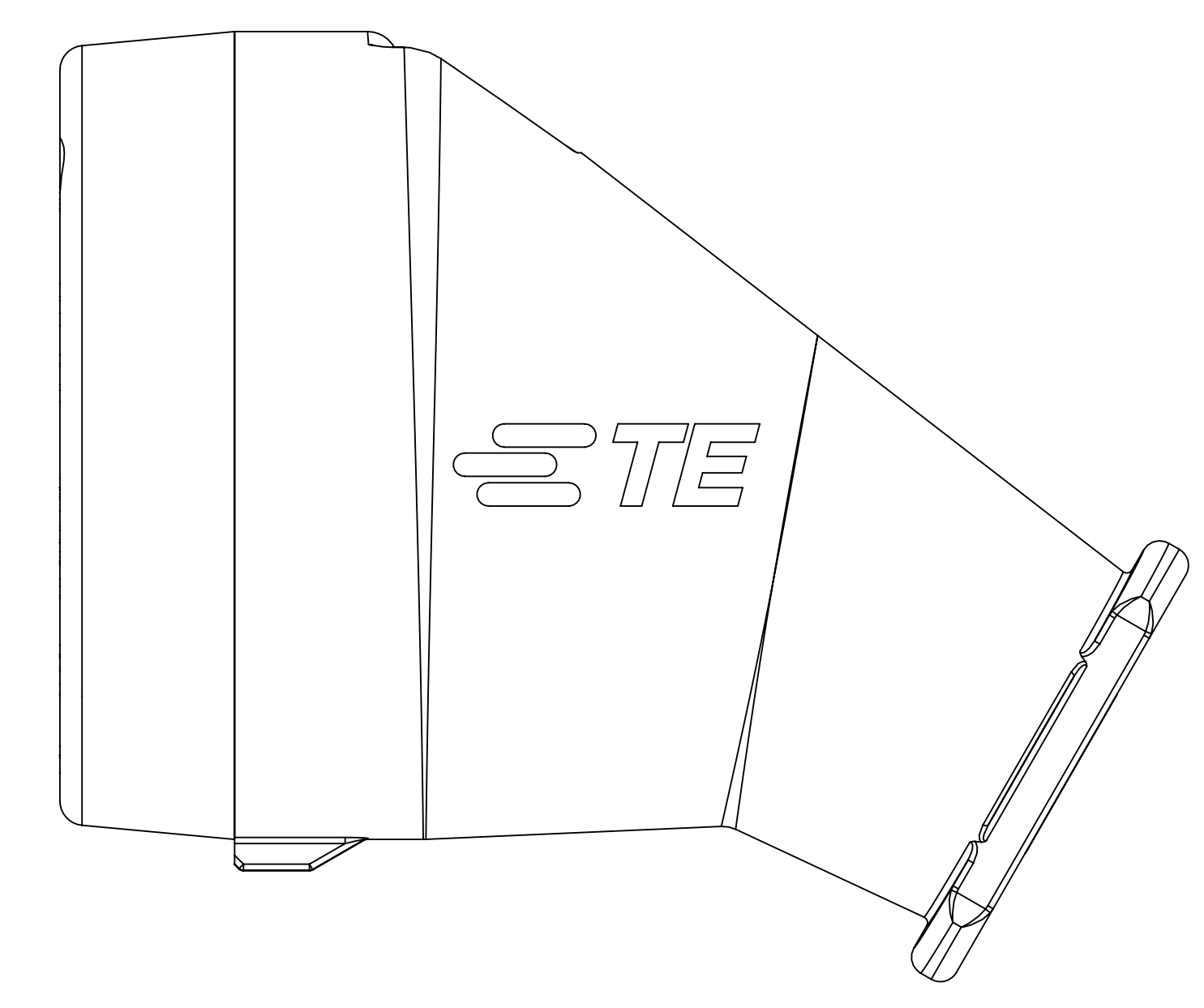
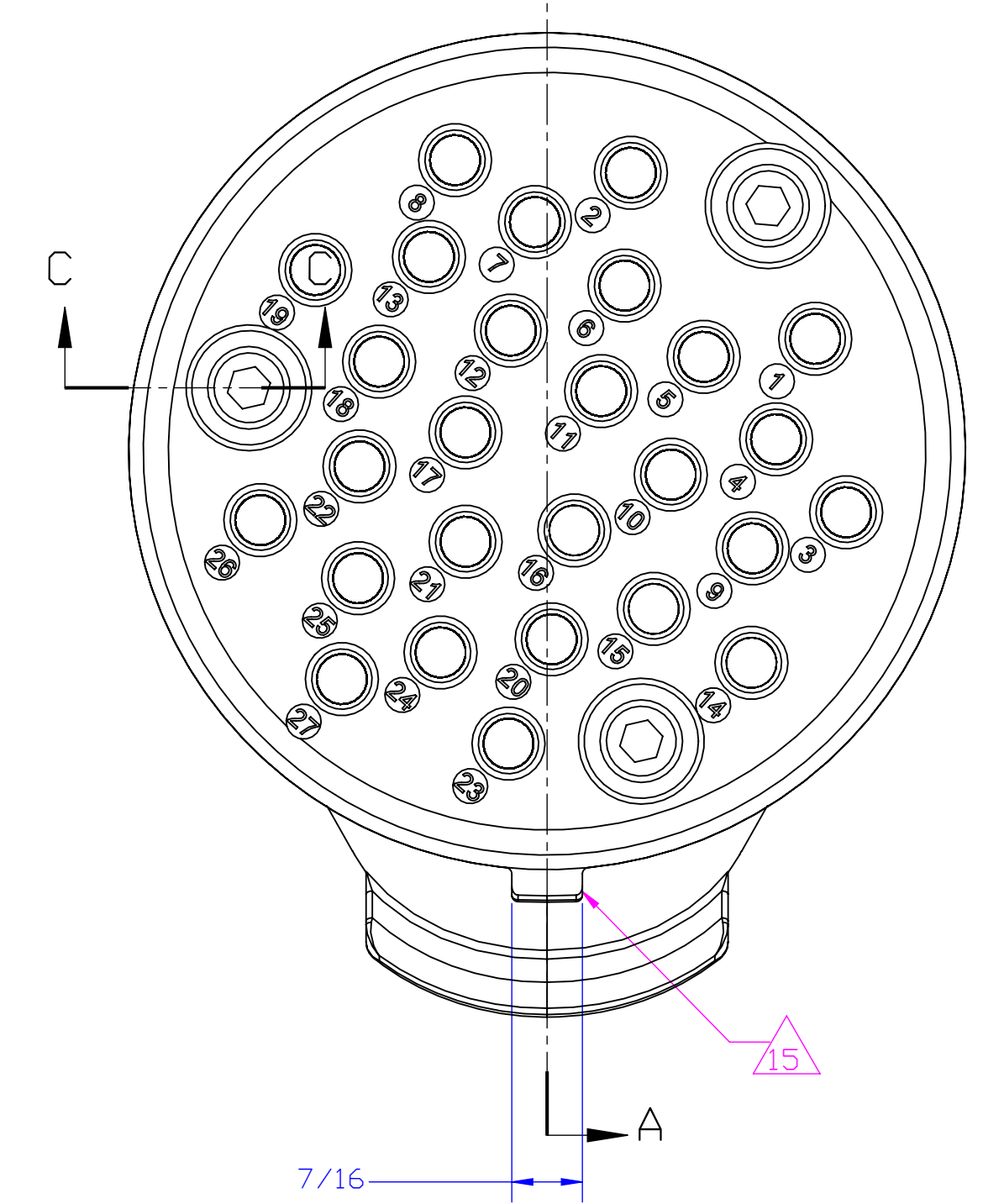
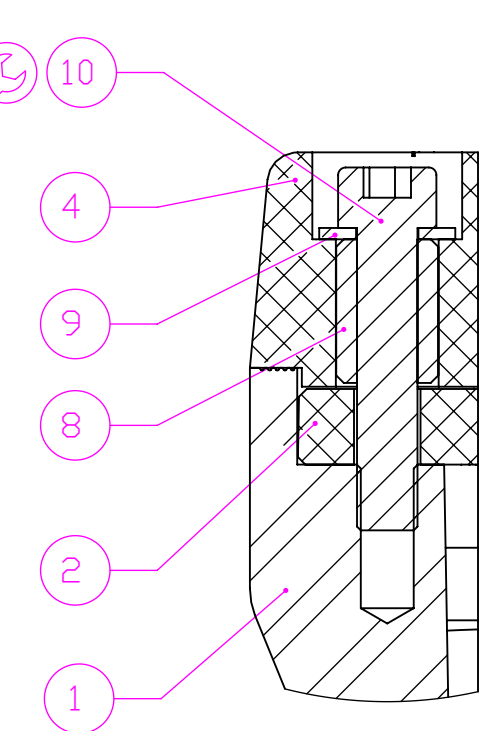
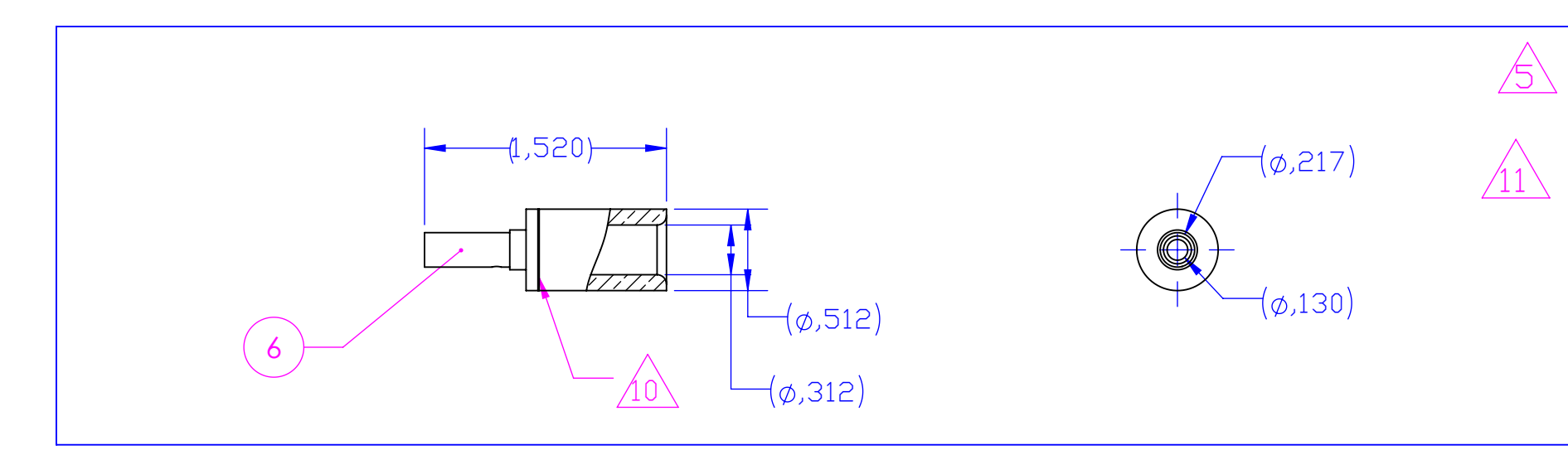
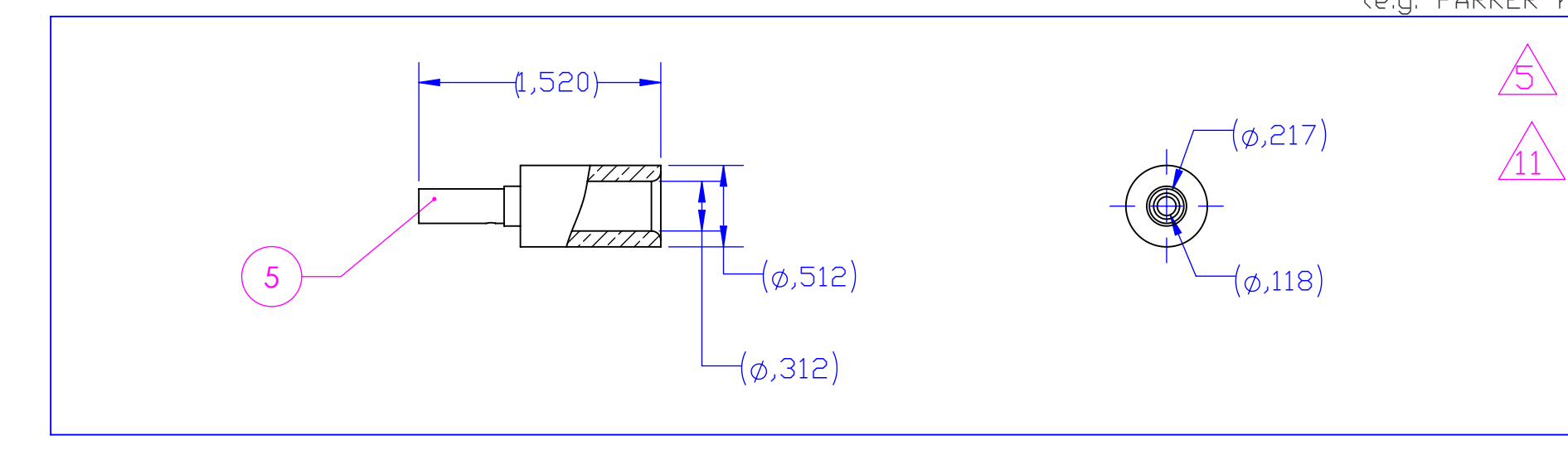
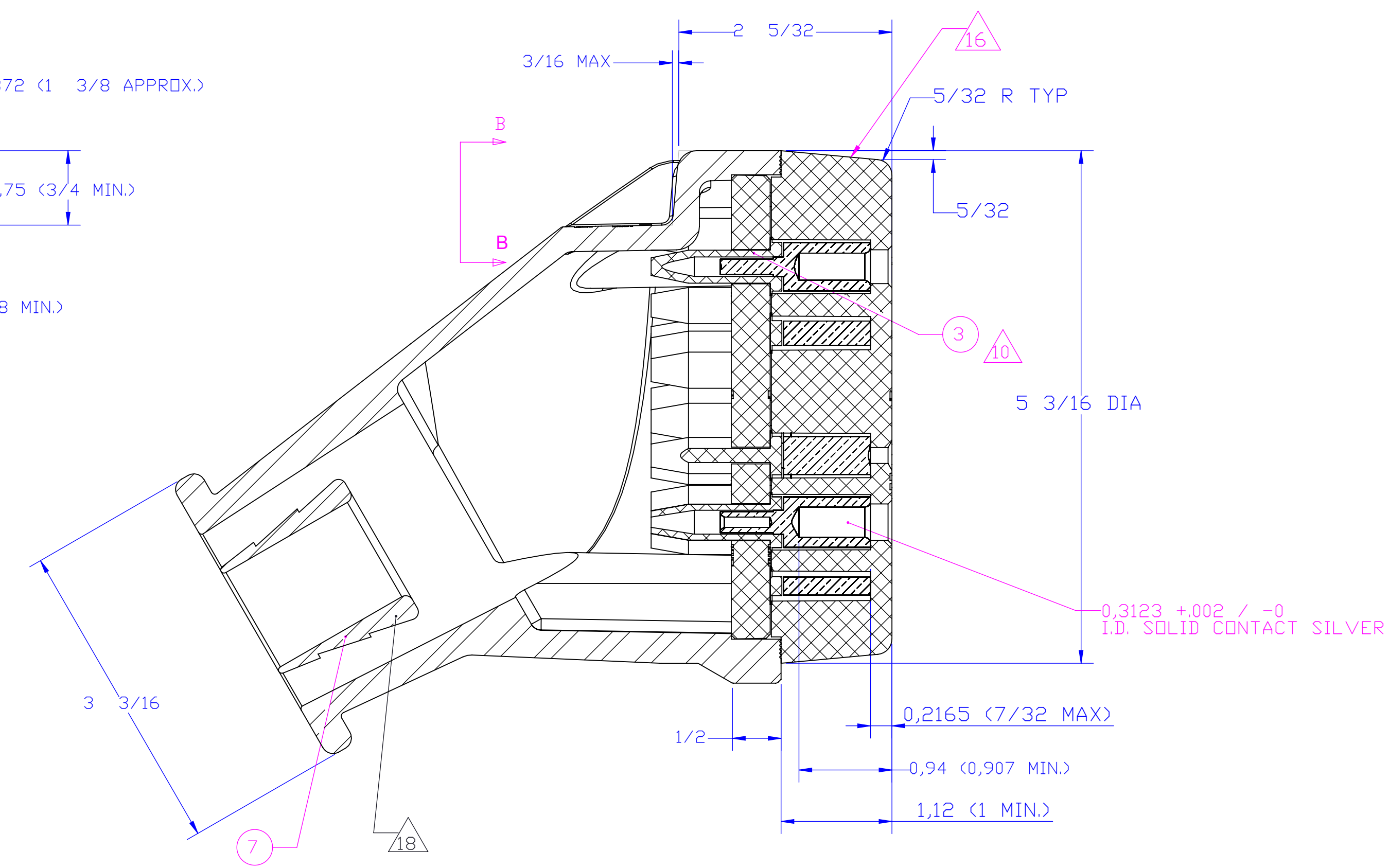


C-C VIEW

VIEW B-B



A-A VIEW



Référence commerciale / Commercial reference : 27P-PLU-2-01

THIS DRAWING IS A CONTROLLED DOCUMENT.

| | | |
|-------------|---------------|-------------|
| DESIGNED BY | M. BONNIN | 28.JUL.2015 |
| CHECKED BY | J.F. GALBRAUX | 28.JUL.2015 |
| APPROVED BY | M. VIMARD | 28.JUL.2015 |

PROJECT NAME: PLUG COMMUNICATION

PROJECT SPEC: 108-157001

APPLICATION SPEC: 408-157000-2

WEIGHT: 4.480 pound

CUSTOMER DRAWING

SCALE: 1:1

SHEET: 1 OF 1

REV: 0

REF: 685 BE (M) 9

X-ON Electronics

Largest Supplier of Electrical and Electronic Components

Click to view similar products for [Standard Circular Connector](#) category:

Click to view products by [TE Connectivity](#) manufacturer:

Other Similar products are found below :

[5M2530B10P](#) [600259N006](#) [600273N007](#) [6134-336-13149](#) [6134-337-11149](#) [6134-337-2390](#) [6134-341-17149](#) [6280-4SG-516](#) [6280-7SG-3DC](#)
[6290](#) [6291A](#) [66200A-10](#) [680-SMG](#) [681-PMG](#) [CXS3102A14S2P](#) [CXS3102A181S](#) [7271-6SG-300](#) [7282-3PG-300-CH3](#) [75-474014-05S](#) [75-](#)
[474618-01S](#) [75-474618-04P](#) [75-474618-04S](#) [799539-000](#) [MI8-SE](#) [805-005-07NF11-19PC](#) [805-005-07NF15-7PA](#) [8280-4PG-516](#) [8280-7PG-](#)
[519](#) [8282-5PG-519](#) [836783-1](#) [MP-4102-25P-C](#) [862256-1](#) [864019-2](#) [866857-1](#) [867865-1](#) [PT01SP-14-18P](#) [PT08P-14-5S](#) [120-1833-000](#)
[QCM019PC2DC012B](#) [1-2069279-1](#) [121583-0217](#) [121667-0020](#) [129591AU](#) [1000B BULK](#) [RD10A16-19-P6CS051/1](#) [RD10A20-31-](#)
[P8CS051/1](#) [RD16A14-12-S6CS051/2](#) [1301240290](#) [1301240347](#) [1301860202](#) [1301240268](#)