

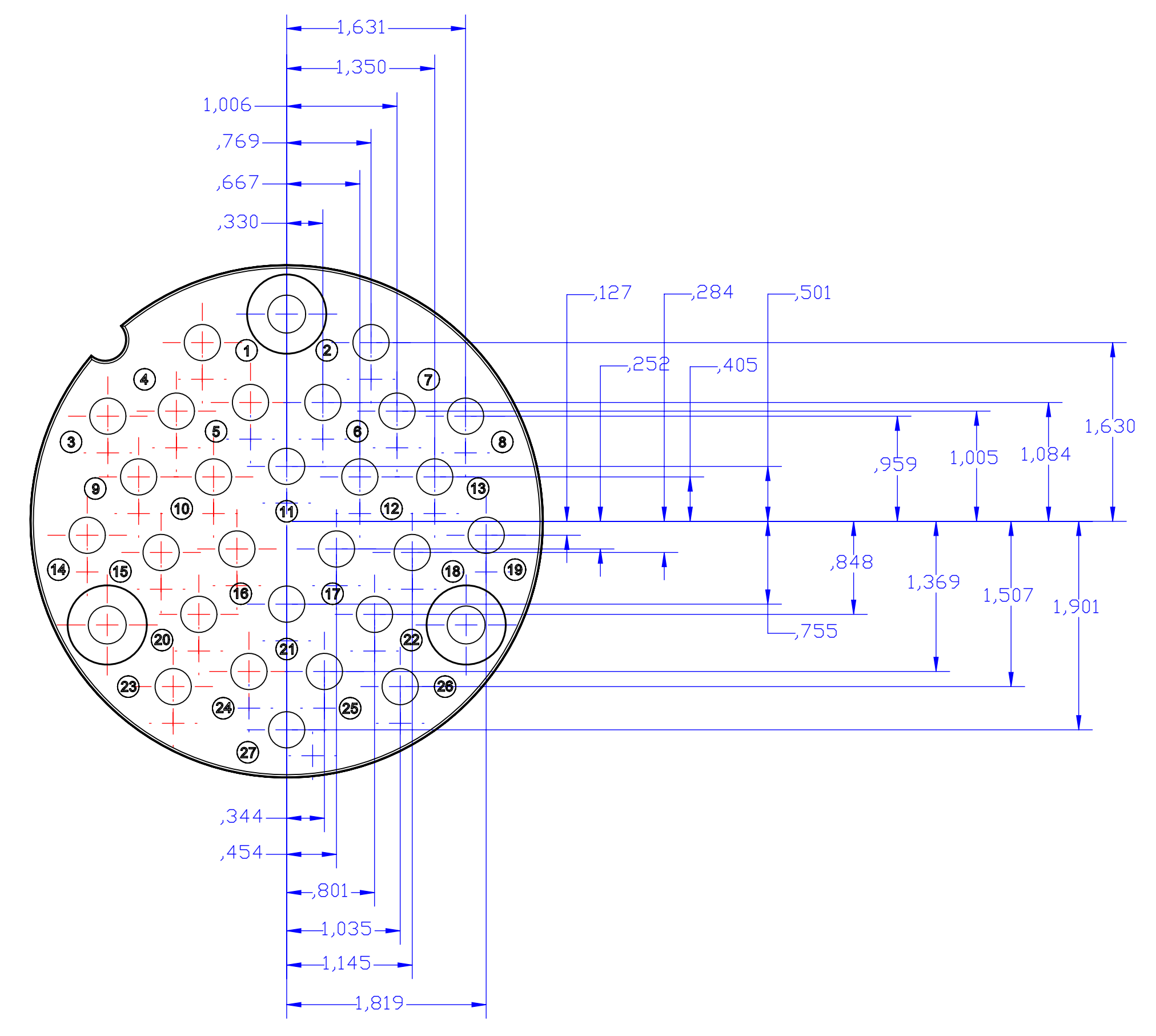
Vue isométrique - Echelle 1:2
Isometric view - Scale 1:2



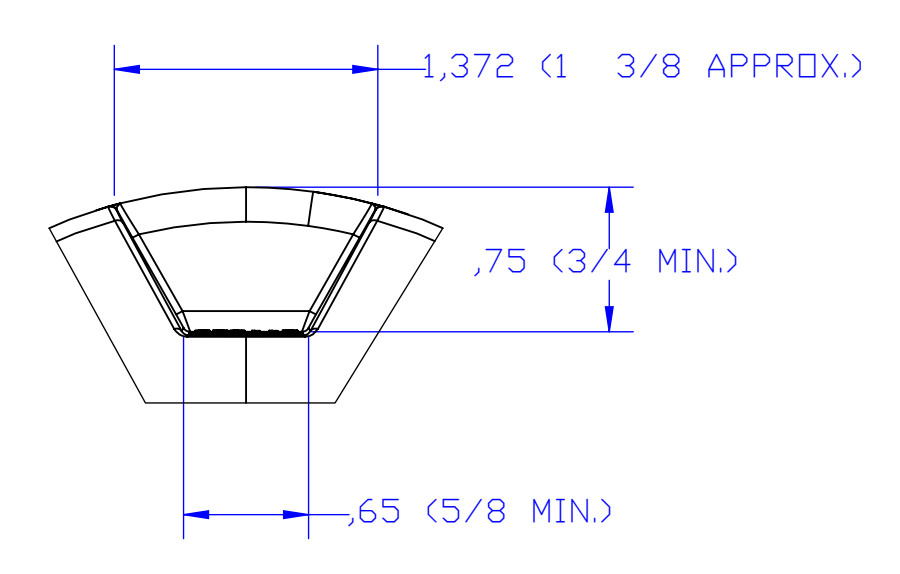
Vue isométrique - Echelle 1:2
Isometric view - Scale 1:2



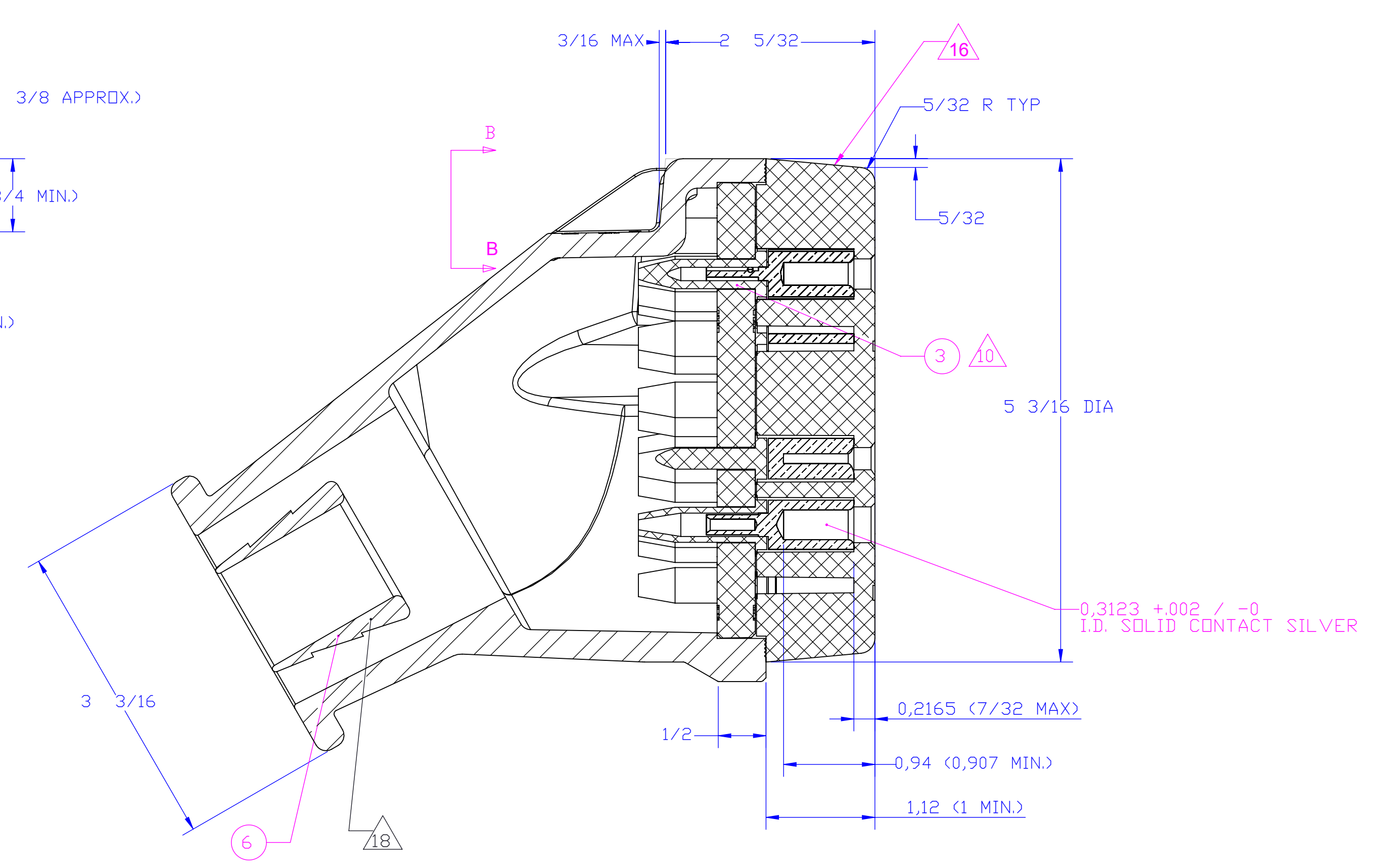
INSULATOR VIEW
SCALE 1:1



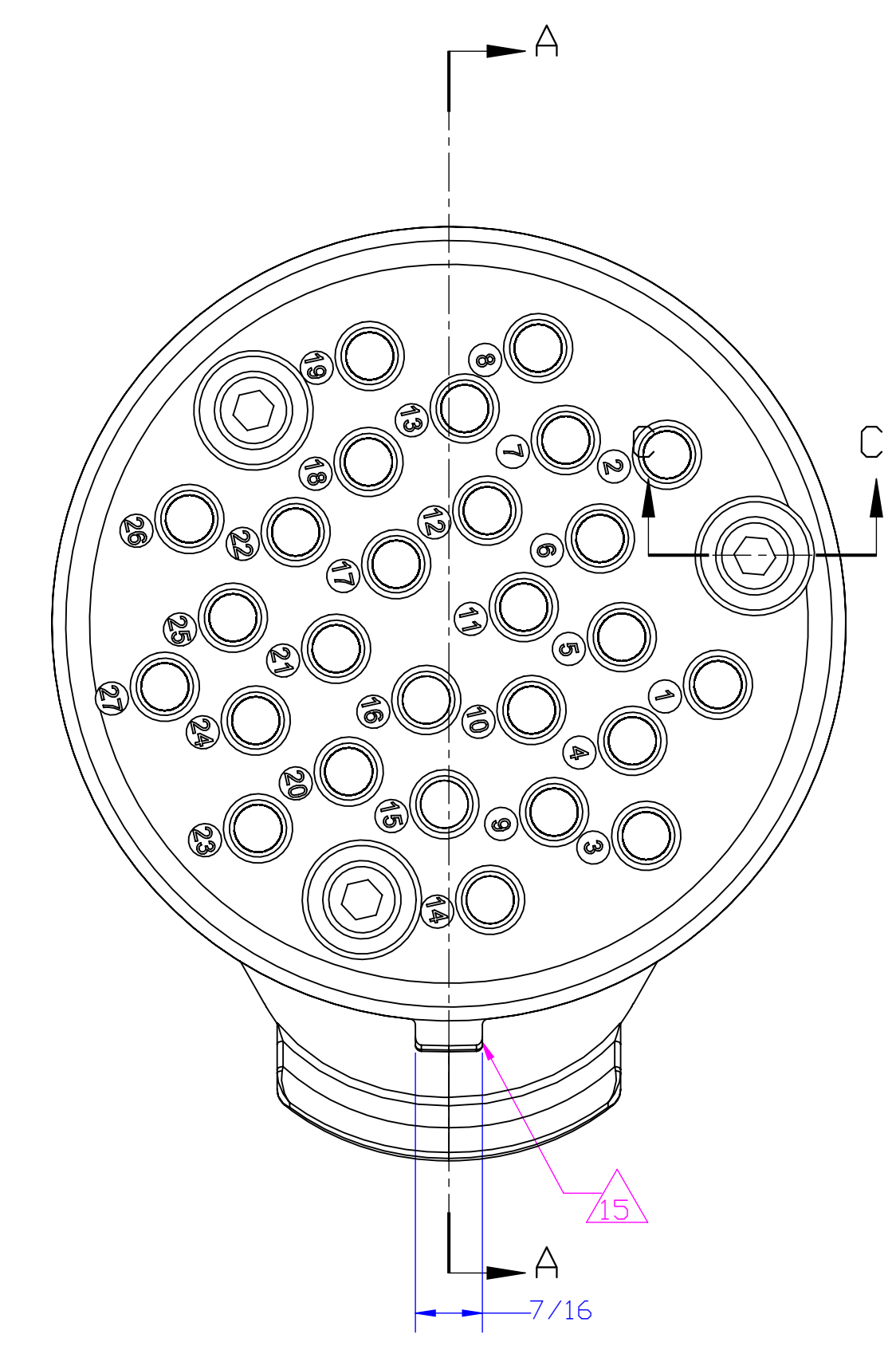
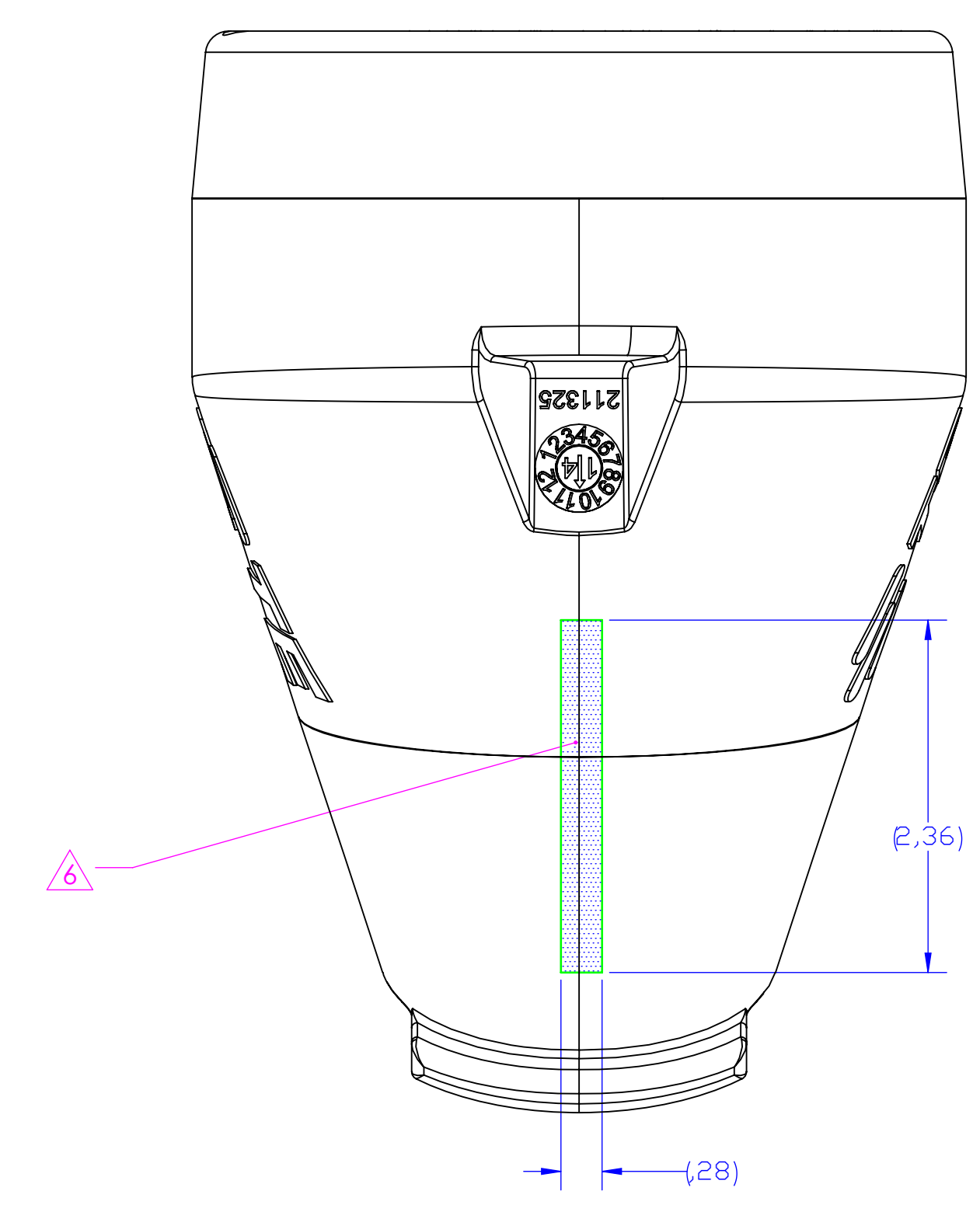
VIEW B-B



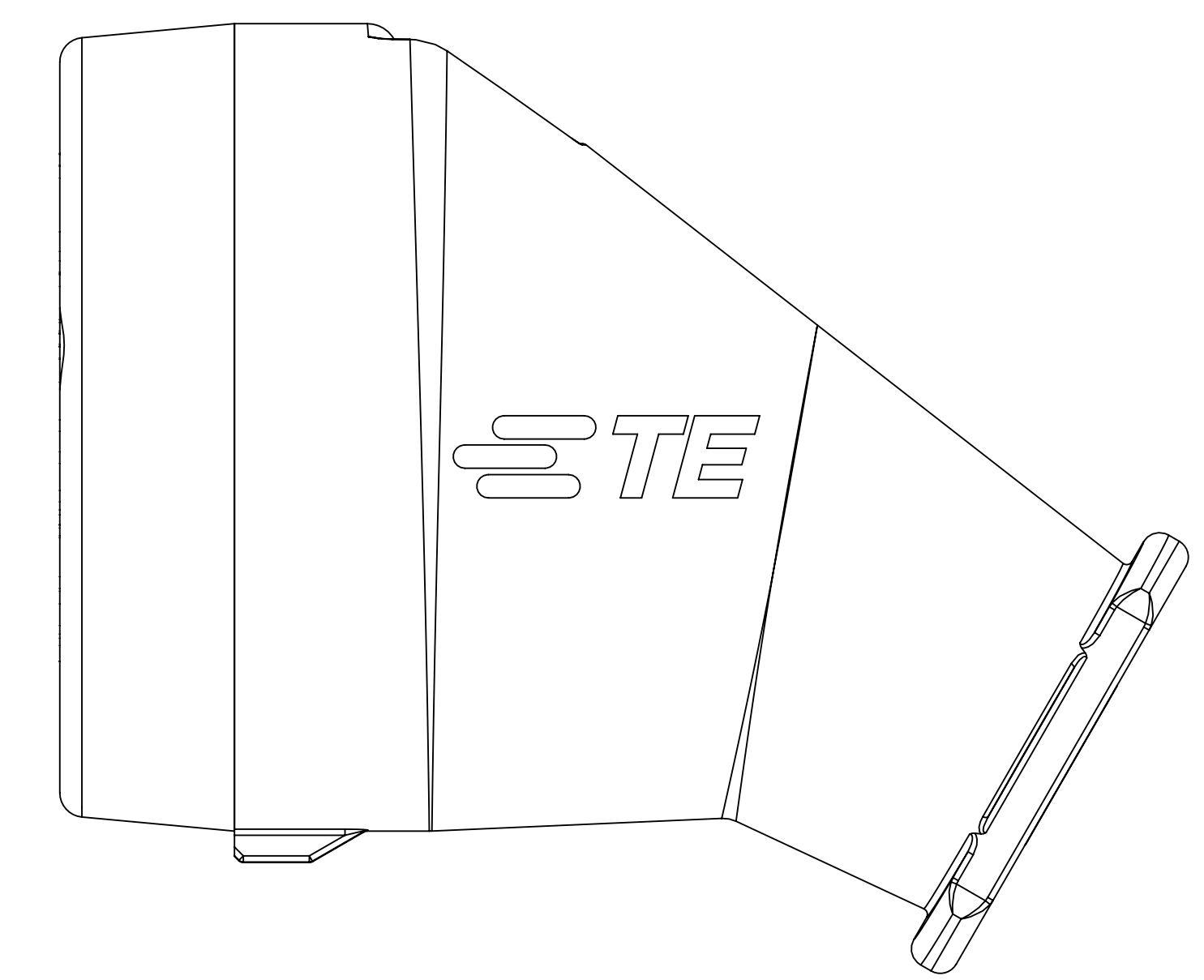
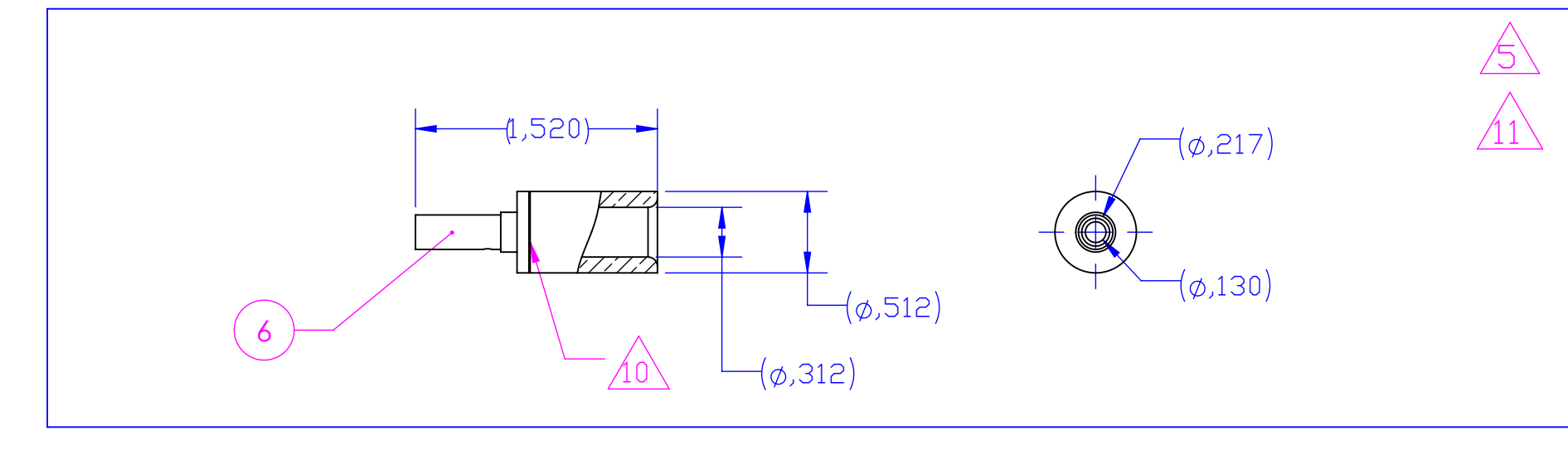
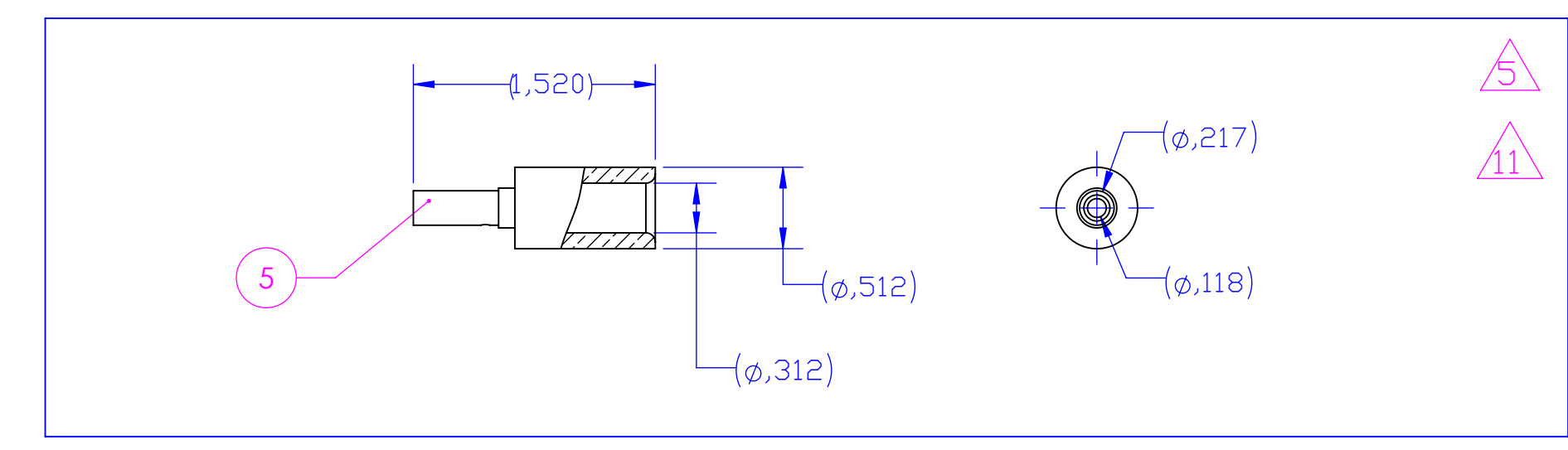
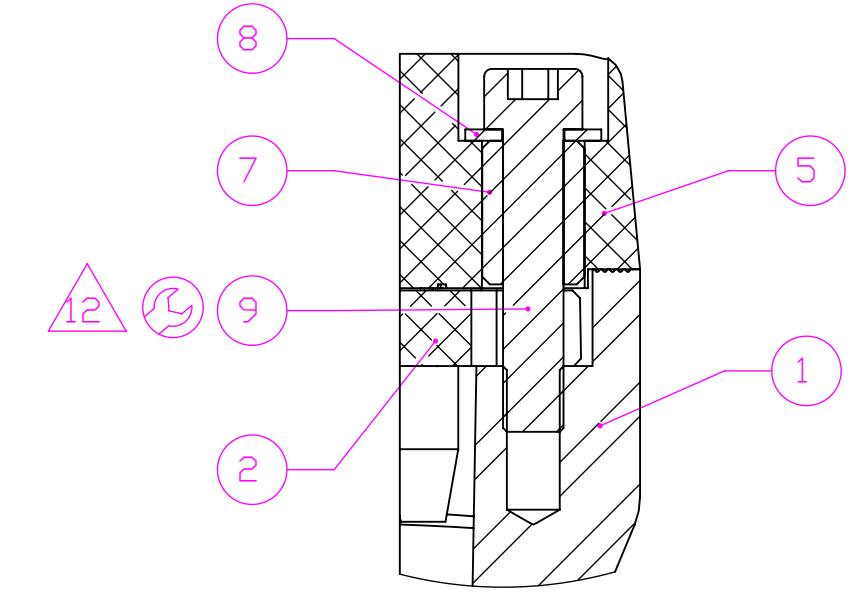
A-A VIEW



QTY	DESCRIPTION	UNIT	REF	REVISION	DATE	BY	APP
1	Instruction de montage / Mounting instruction		YSPEC-408-157000-2				
1	Sachet déshydratant / Drying bag		0206-0329AS				
1	Boîte en carton / Carton box		Y00000-0206-0217AS				
3	Vis CHC / Screw CHC		CHCM08x40-1				
3	Rondelle plate / Plain washer		MU-08-1				
3	Entretroise / Spacer		I504-0030U4				
1	Cône de serrage / Clamping cone		YA-UC-212590A-JQ00				
1	KIT de 3 contacts femelle AWG 10 / KIT with 3 female contacts 10 AWG		YS-UC-212601A-AA1A				
1	KIT de 24 contacts femelle AWG 12 et 14 / KIT with 24 female contacts 12 and 14 AWG		YS-UC-212602A-AA1A				
1	Isolant femelle / Female insert		YK-UC-211288A-YU00				
27	Manchon / Sleeve		I504-0008A4				
1	Isolant mixte / Mixed insulator		YK-UC-211276A-QK00				
1	Corps de fiche - position 77,5 / Plug body - position 77,5		YF-UC-211326A-JG07				
1	Protection / Protection		FMME 4010				
1	Fiche matière / Data sheet						
1	Matière / Material						
1	Masse (g) / Weight (g)						
1	Nbr / Qty						
1	Codification / Part number						
1	Désignation / Designation						
1	REP / Item						



C-C VIEW



REV	DESCRIPTION	DATE	BY	APP
B	Diffusion N°331170	28.JUL.2015	MB	MV
C	App Item 12 and 13 - Add note 13	10.AUG.2015	MB	MV
D	Change reference Item 2, 6 and 7 - Update product spec & application spec - Diffusion 331170	10.AUG.2015	EL	MV

- 1 () : cotes pour information / dimensions for information / cotes de controle / inspection dimensions
- 2 () Instructions de mise en oeuvre à appliquer par le client / Customer instructions to be applied by the customer
- 3 () Ref. YS-UC-212601A-AA1A is a KIT with 3 contacts AWG10 / Ref. YS-UC-212602A-AA1A is a KIT with 24 contacts AWG12/14
- 4 () Laser marking : TE + Commercial reference + Year-Week
- 5 () White paint
- 6 () Work instruction according to 118-157000-2
- 7 () Groove made to differentiate contacts
- 8 () Sleeves packaging separately and identified
- 9 () Daniels manual crimping tool : - Hand crimper HX4 - Die Y543 / Daniels pneumatic crimping tool : - Pneumatic pump HX23 - Die Y543
- 10 () Tightening torque = 10Nm
- 11 () A label with the commercial reference and the complete BOM is glued on the cardboard
- 12 () Standards : AAR 5-512, APTA RP-E-019-99
- 13 () Key
- 14 () DRAFT ANGLE
- 15 () Spécification de conditionnement 107-157003 / Packaging Specification 107-157003
- 16 () Clamping cone Rep 7 suitable with hose acc. to APTA PR-E-RP-019-99 and AAR 5512 definition, 1 1/4 inch in I.D. and 1 23/32 in O.D. (e.g. PARKER ref. GST II BLACK 15 BAR 32x45)

Référence commerciale / Commercial reference : 27P-PLU-3-01

YE-UC-212094A-0000
PART NO

THIS DRAWING IS A CONTROLLED DOCUMENT.	DATE: 28 JUL 2015	BY: M BINNIN
CHANGED / MODIFIED SPECIFIED	DATE: 28 JUL 2015	BY: JF CALIBAU
DATE: 28 JUL 2015	BY: M VIMARD	NAME:

STE
TE Connectivity

TYPICAL AEM-7 PLUG

SIZE	408-157000-2	SCALE	1:1
WEIGHT	4.480 pound	SHEET	1 OF 1
CUSTOMER DRAWING		REV	0

4806 (3/13)
Solidworks DRAWING

X-ON Electronics

Largest Supplier of Electrical and Electronic Components

Click to view similar products for [Standard Circular Connector](#) category:

Click to view products by [TE Connectivity](#) manufacturer:

Other Similar products are found below :

[5M2530B10P](#) [600259N006](#) [600273N007](#) [6134-336-13149](#) [6134-337-11149](#) [6134-337-2390](#) [6134-341-17149](#) [6280-4SG-516](#) [6280-7SG-3DC](#)
[6290](#) [6291A](#) [66200A-10](#) [680-SMG](#) [681-PMG](#) [CXS3102A14S2P](#) [CXS3102A181S](#) [7271-6SG-300](#) [7282-3PG-300-CH3](#) [75-474014-05S](#) [75-](#)
[474618-01S](#) [75-474618-04P](#) [75-474618-04S](#) [799539-000](#) [MI8-SE](#) [805-005-07NF11-19PC](#) [805-005-07NF15-7PA](#) [8280-4PG-516](#) [8280-7PG-](#)
[519](#) [8282-5PG-519](#) [836783-1](#) [MP-4102-25P-C](#) [862256-1](#) [864019-2](#) [866857-1](#) [867865-1](#) [PT01SP-14-18P](#) [PT08P-14-5S](#) [120-1833-000](#)
[QCM019PC2DC012B](#) [1-2069279-1](#) [121583-0217](#) [121667-0020](#) [129591AU](#) [1000B BULK](#) [RD10A16-19-P6CS051/1](#) [RD10A20-31-](#)
[P8CS051/1](#) [RD16A14-12-S6CS051/2](#) [1301240290](#) [1301240347](#) [1301860202](#) [1301240268](#)