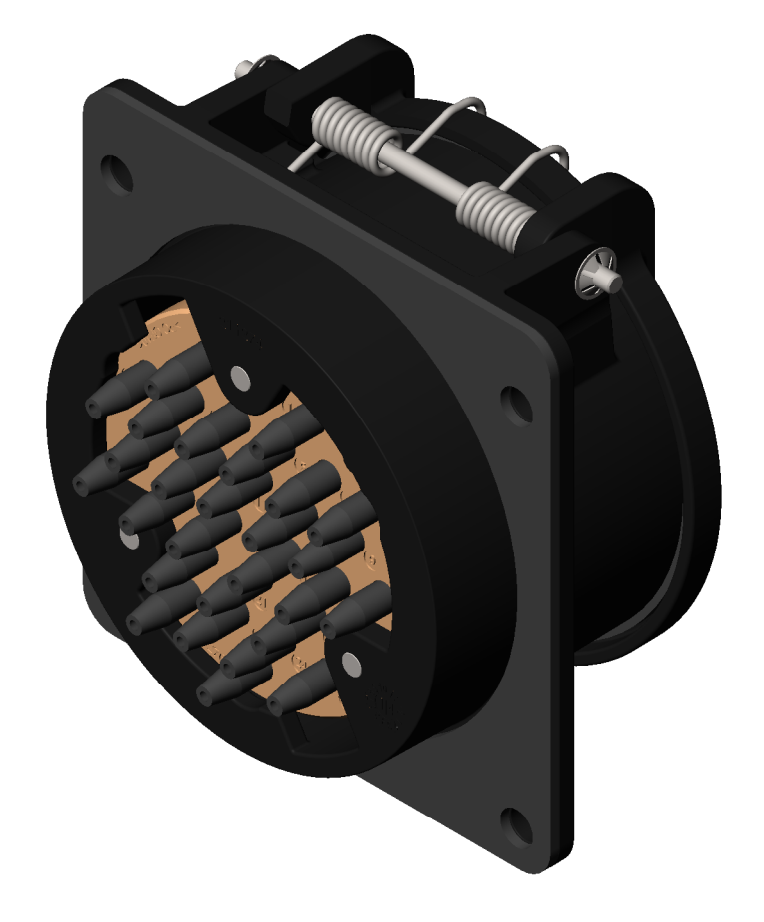


Project NR		REVISIONS			
P	LTV	DESCRIPTION	DATE	BY	APPV
C		Diffusion N°331170	07.JUL.2015	MB	MV
D		Change of material for AWG12 contacts	07.JUL.2015	MB	MV
E		Change of material for AWG12 contacts and application spec = Diffusion 331174	05EP2016	EL	MV

Isometric view - Scale 1/2



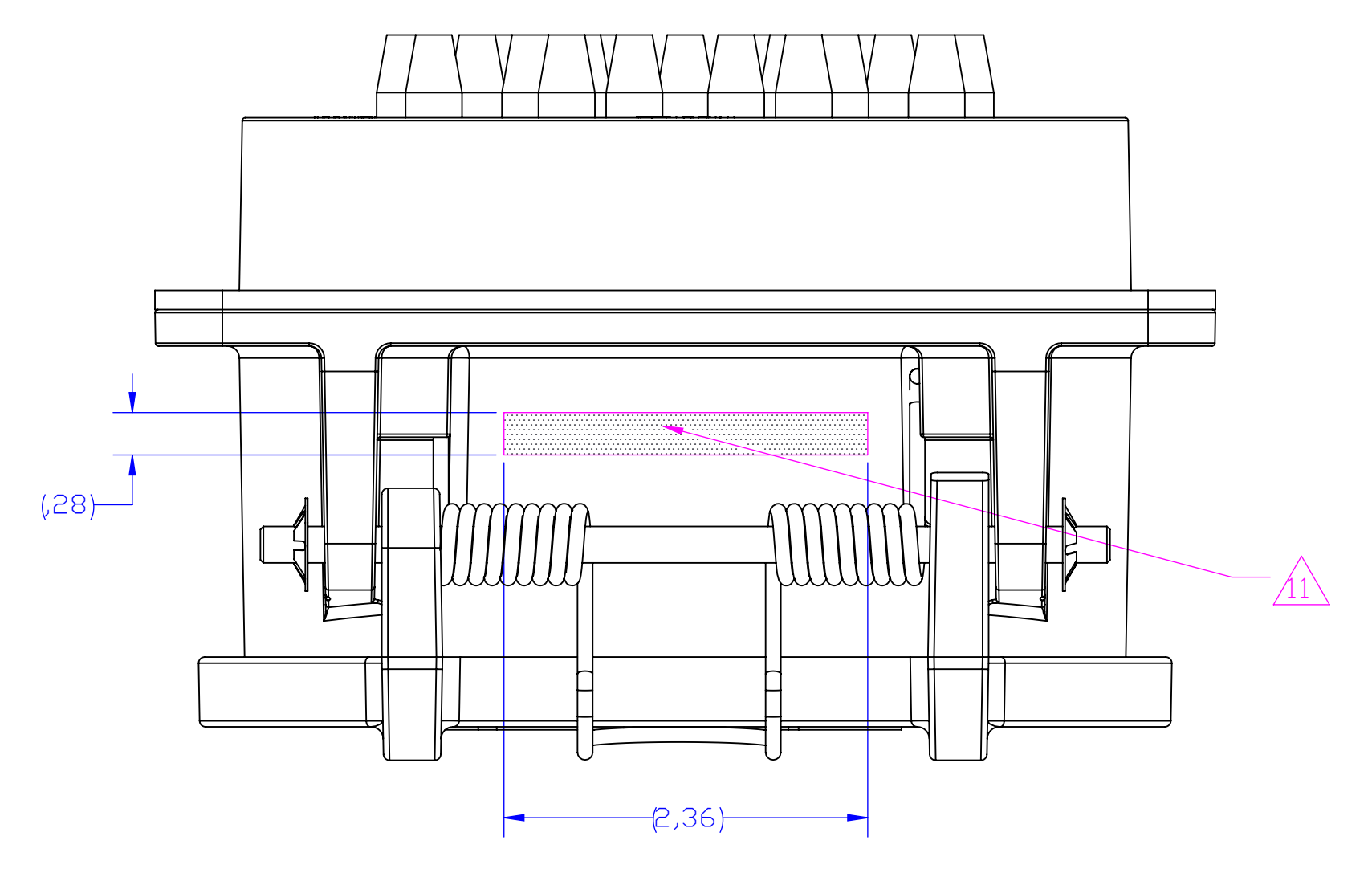
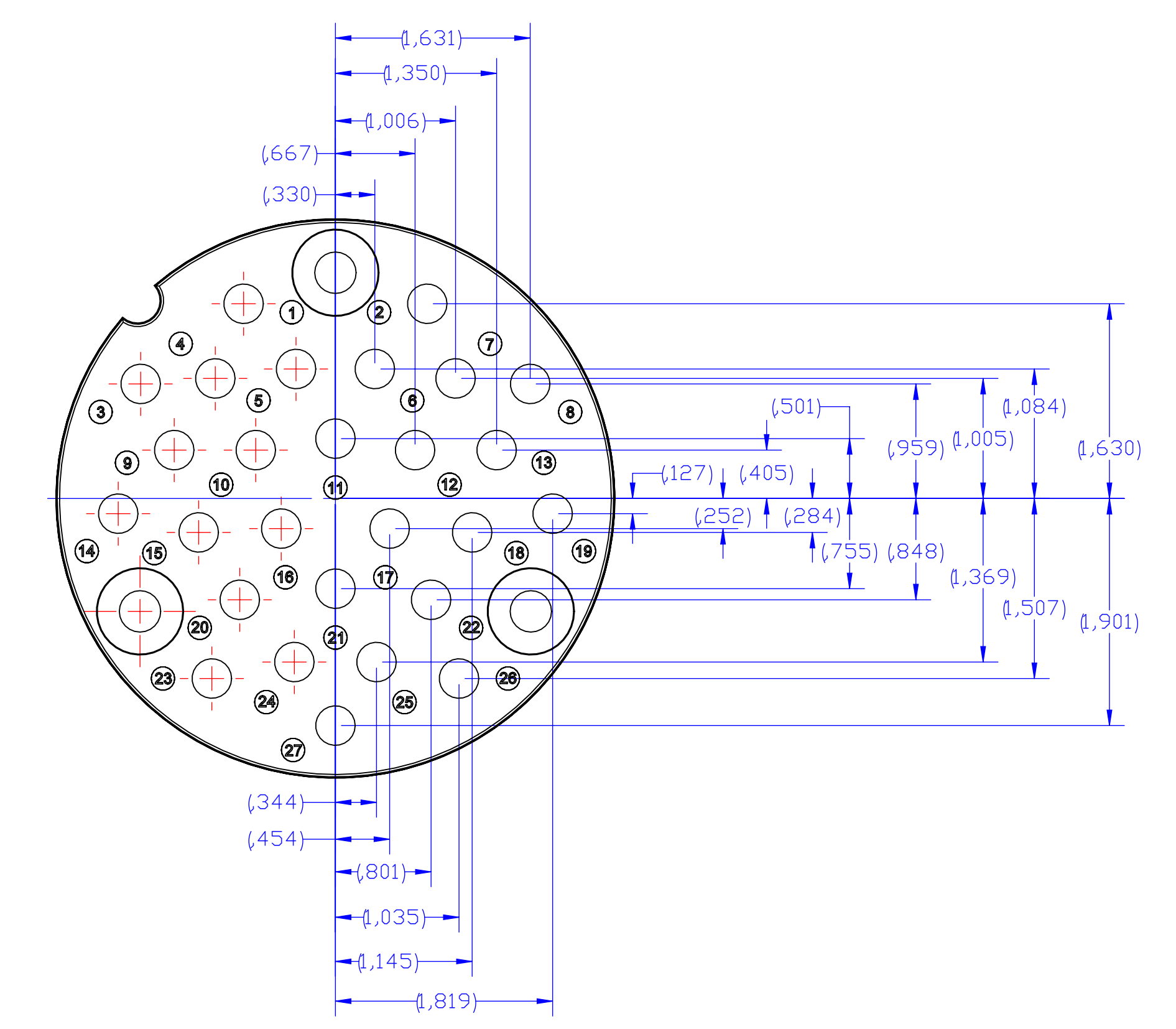
Isometric view - Scale 1/2



Item	Qty	Part number	Designation	Material	Weight (g)	Material	Weight (g)	Qty	Part number	Designation	Item
	5	1	YSPEC-408-157000-1	Paper				1	YSPEC-408-157000-1	Mounting instruction	18
	1.50	1	0206-0329AS					1	0206-0329AS	Dehydrating bag	17
	0.50	2	0158-0001-X	Plastic				2	0158-0001-X	Collar	16
	88.14	1	0206-0105AS	Carton				1	0206-0105AS	Box	15
	376.47	1	YG-UC-211287A-JG7A	Aluminium				1	YG-UC-211287A-JG7A	Cover	14
	1.15	3	W-08-1	Stainless steel				3	W-08-1	Washer	13
	17.24	3	CHCM08x25-1	Stainless steel				3	CHCM08x25-1	Screw CHC M8x25	12
	43.14	1	YS-UC-211946A-AA1A	Brass				1	YS-UC-211946A-AA1A	Kit with 3 Male contacts 10 AWG	11
	349.15	1	YS-UC-211945A-AA1A	Brass				1	YS-UC-211945A-AA1A	Kit with 24 Male contactst AWG 12 and 14	10
	162.78	1	YK-UC-211275A-QK00	Polycarbonate				1	YK-UC-211275A-QK00	Male insulator	9
	1.91	27	YK-UC-211315A-VP00	Neoprene				27	YK-UC-211315A-VP00	Sleeve	8
	124.80	1	YK-UC-211276A-QK00	Polycarbonate				1	YK-UC-211276A-QK00	Mixed insulator	7
	0.41	2	Y0000000-7105-06-I	Stainless Steel				2	Y0000000-7105-06-I	Self locking ring	6
	52.30	1	YA-UC-211297A-VN00	Neoprene				1	YA-UC-211297A-VN00	Gasket	5
	13.14	1	1504-0019A4	Neoprene				1	1504-0019A4	Gasket	4
	4.31	1	1504-0005A4	Stainless steel				1	1504-0005A4	Spring	3
	3.95	1	1504-0018A4	Stainless steel				1	1504-0018A4	Axis	2
	1070.45	1	YG-UC-211281A-JG7A	Aluminium				1	YG-UC-211281A-JG7A	Receptacle body - position 0	1
Remarks	Plating	Data sheet	Material	Weight (g)	Qty	Part number	Designation	Item			

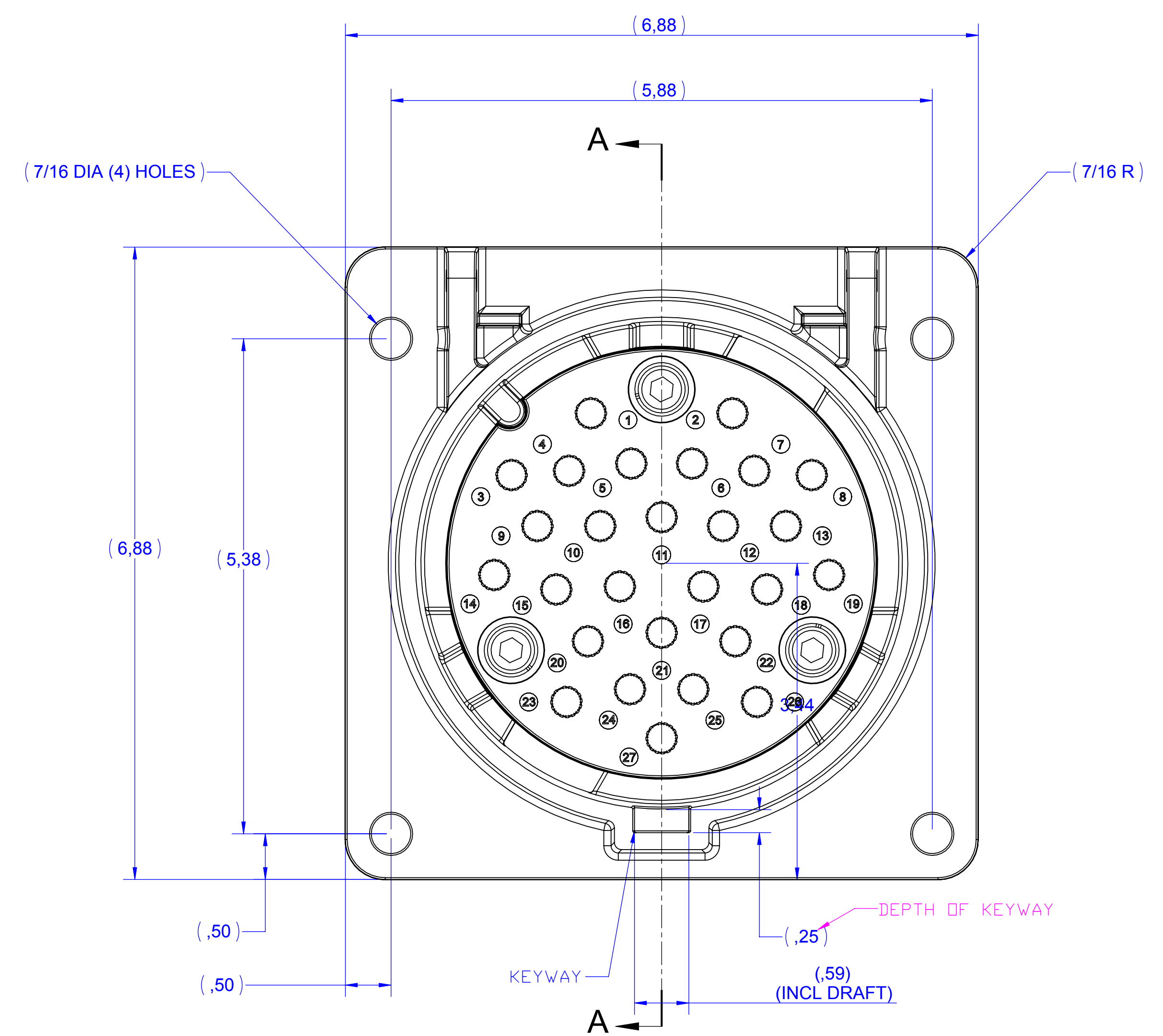
- 1 () : cotes pour information / dimensions for information
- 1 () : cotes de controle / inspection dimensions
- 2 Instructions de mise en oeuvre à appliquer par le client
Customer instructions to be applied by the customer
- Ref. YS-UC-211946A-AA1A is a KIT with 3 contacts AWG10
Ref. YS-UC-211945A-AA1A is a KIT with 24 contacts AWG12/14
- Receptacle gasket is sold tied on the receptacle
- Black point
- 8 Work instruction according to 118-157000-1
- Diameter of panel mounting hole : 5,86±0.005
- Tightening torque = 10Nm
- Lasering marking :
TE + Commercial reference + Year-Week
- Daniels manual crimping tool :
- Hand crimper HX4
- Die Y543
- Daniels pneumatic crimping tool :
- Pneumatic pump HX23
- Die Y543
- Groove made to differentiate contacts
- Sleeves packaging separately and identified
- A label with the commercial reference and the complete BOM is glued on the cardboard
- Standards :
AAR 5-S12, APTA RP-E-019-99
- 17 Packaging Specification 107-157003

INSULATOR VIEW
SCALE 1/4

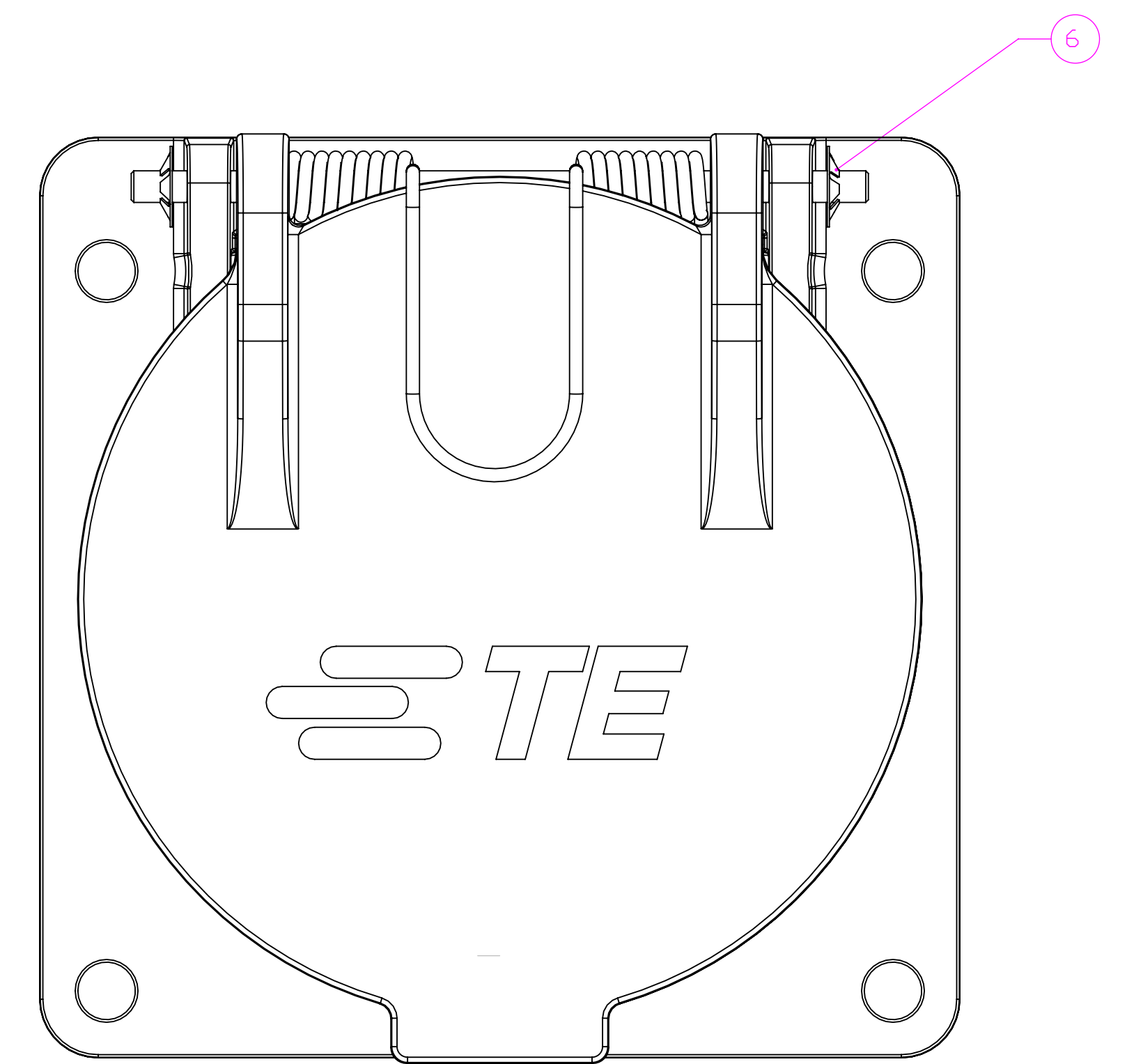
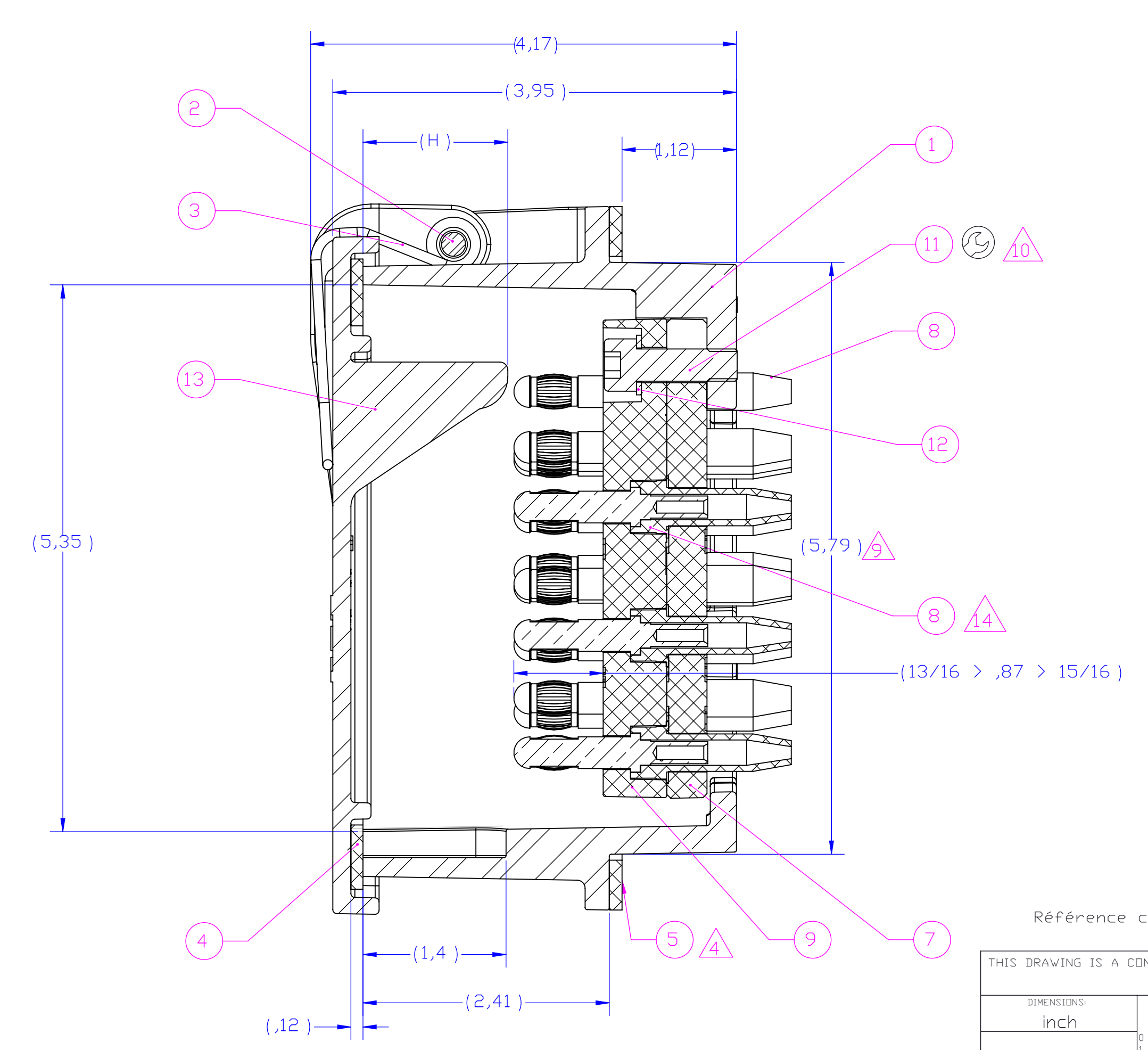


VIEW WITH COVER CLOSED

VIEW WITH COVER REMOVED



A-A VIEW



Référence commerciale / Commercial reference : 27P-REC-1-01

YE-UC-211942A-0000
PART NO

THIS DRAWING IS A CONTROLLED DOCUMENT. DATE: 07.JUL.2015
BY: M.BENIN
CHECKED: M.BENIN
DATE: 07.JUL.2015
APPROVED: M.BENIN
DATE: 07.JUL.2015

STE
TE Connectivity

MU RECEPTACLE CONTROL

PRODUCT SPEC: 108-157001
APPLICATION SPEC: 408-157000-1
WEIGHT: 5.057 pound
CUSTOMER DRAWING

SCALE: 1/1
SHEET: 1 OF 1
REV: E

X-ON Electronics

Largest Supplier of Electrical and Electronic Components

Click to view similar products for [Standard Circular Connector](#) category:

Click to view products by [TE Connectivity](#) manufacturer:

Other Similar products are found below :

[5M2530B10P](#) [600259N006](#) [600273N007](#) [6134-336-13149](#) [6134-337-11149](#) [6134-337-2390](#) [6134-341-17149](#) [6280-4SG-516](#) [6280-7SG-3DC](#)
[6290](#) [6291A](#) [66200A-10](#) [680-SMG](#) [681-PMG](#) [CXS3102A14S2P](#) [CXS3102A181S](#) [7251-5SG-300](#) [7271-6SG-300](#) [7282-3PG-300-CH3](#) [75-](#)
[474618-01S](#) [75-474618-04P](#) [75-474618-04S](#) [799539-000](#) [MI8-SE](#) [805-005-07NF11-19PC](#) [805-005-07NF15-7PA](#) [8280-4PG-516](#) [8280-7PG-](#)
[519](#) [8282-5PG-519](#) [836783-1](#) [MP-4102-25P-C](#) [862256-1](#) [864019-2](#) [866857-1](#) [867865-1](#) [PT01SP-14-18P](#) [PT08P-14-5S](#) [PTSF06SE-14-12S](#)
[120-1833-000](#) [QCM019PC2DC012B](#) [1-2069279-1](#) [121583-0217](#) [121667-0020](#) [129591AU](#) [1000B BULK](#) [RD10A16-19-P6CS051/1](#)
[RD10A20-31-P8CS051/1](#) [RD16A14-12-S6CS051/2](#) [1301240290](#) [1301240347](#) [1301860202](#)