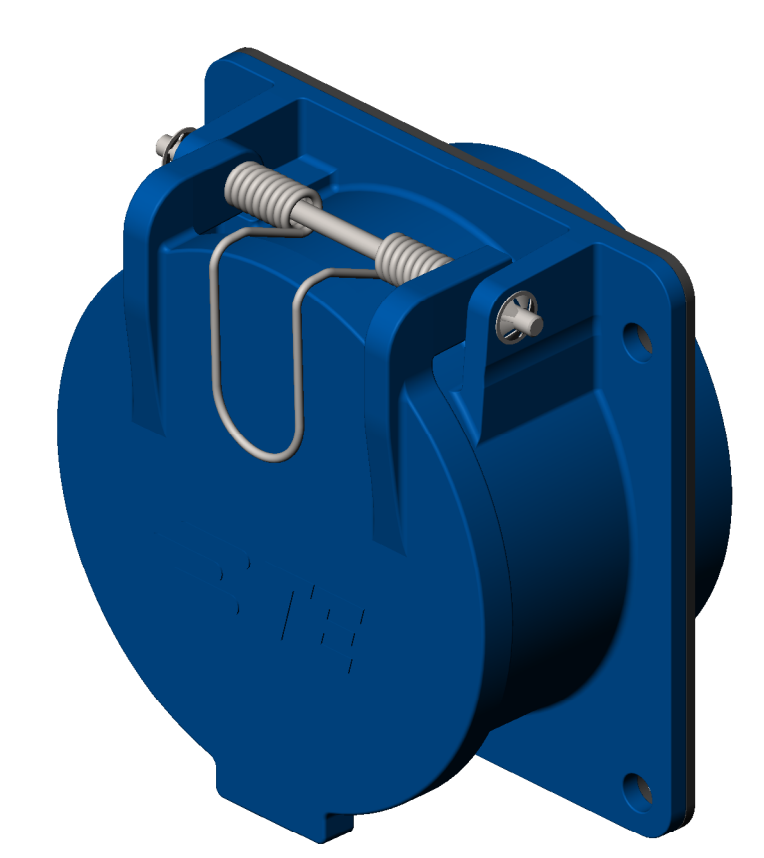
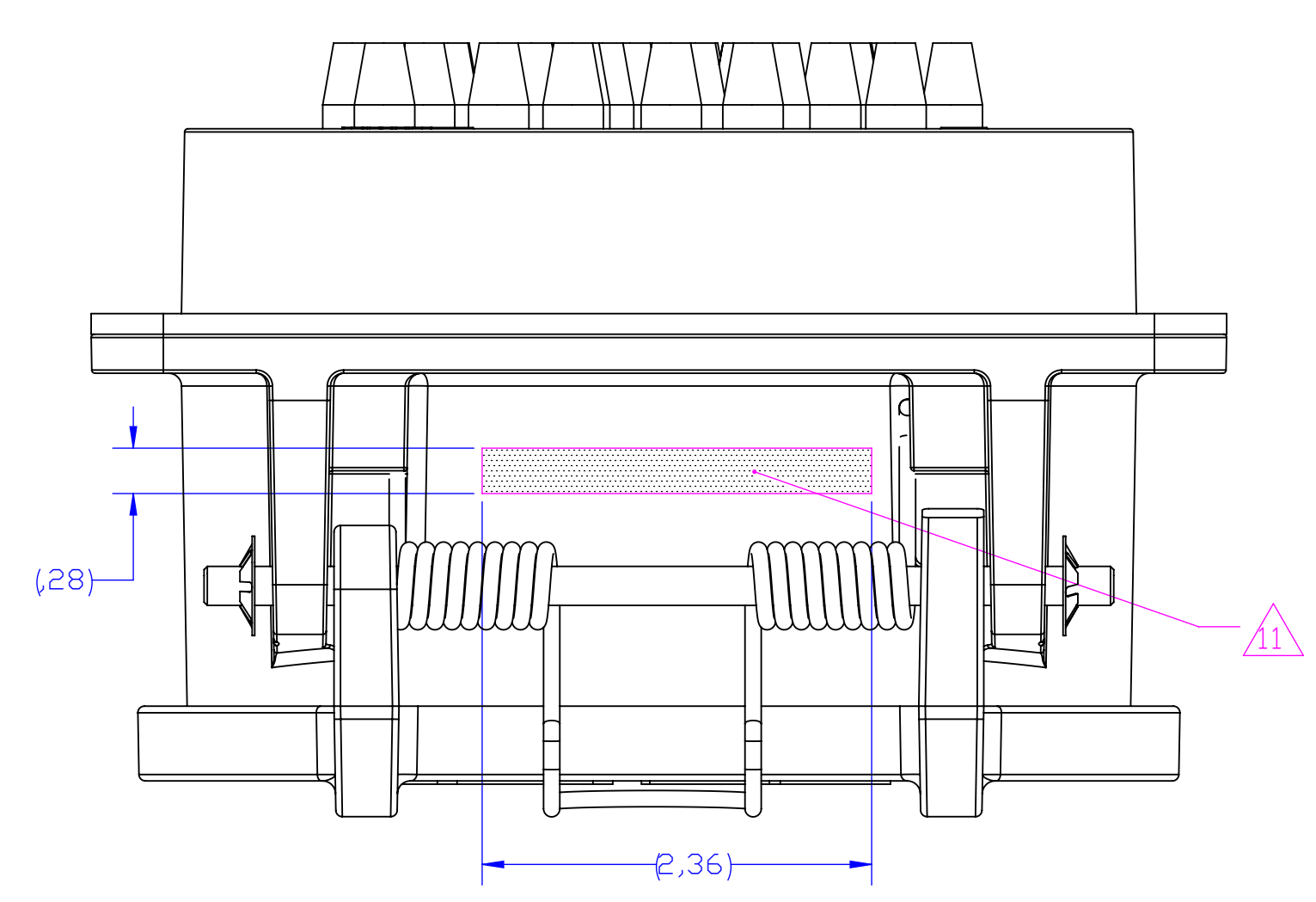
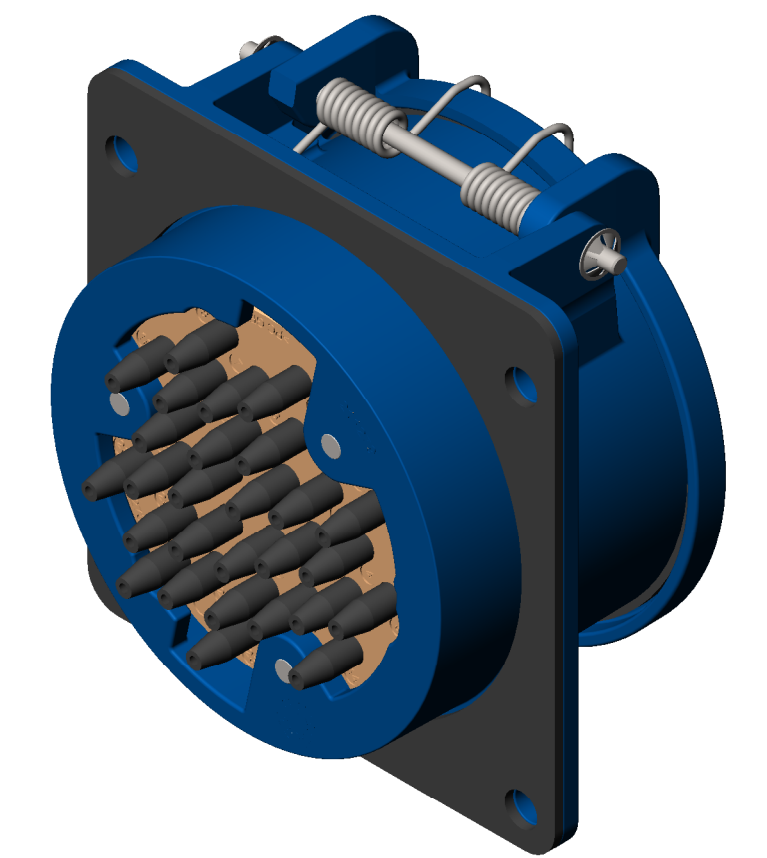


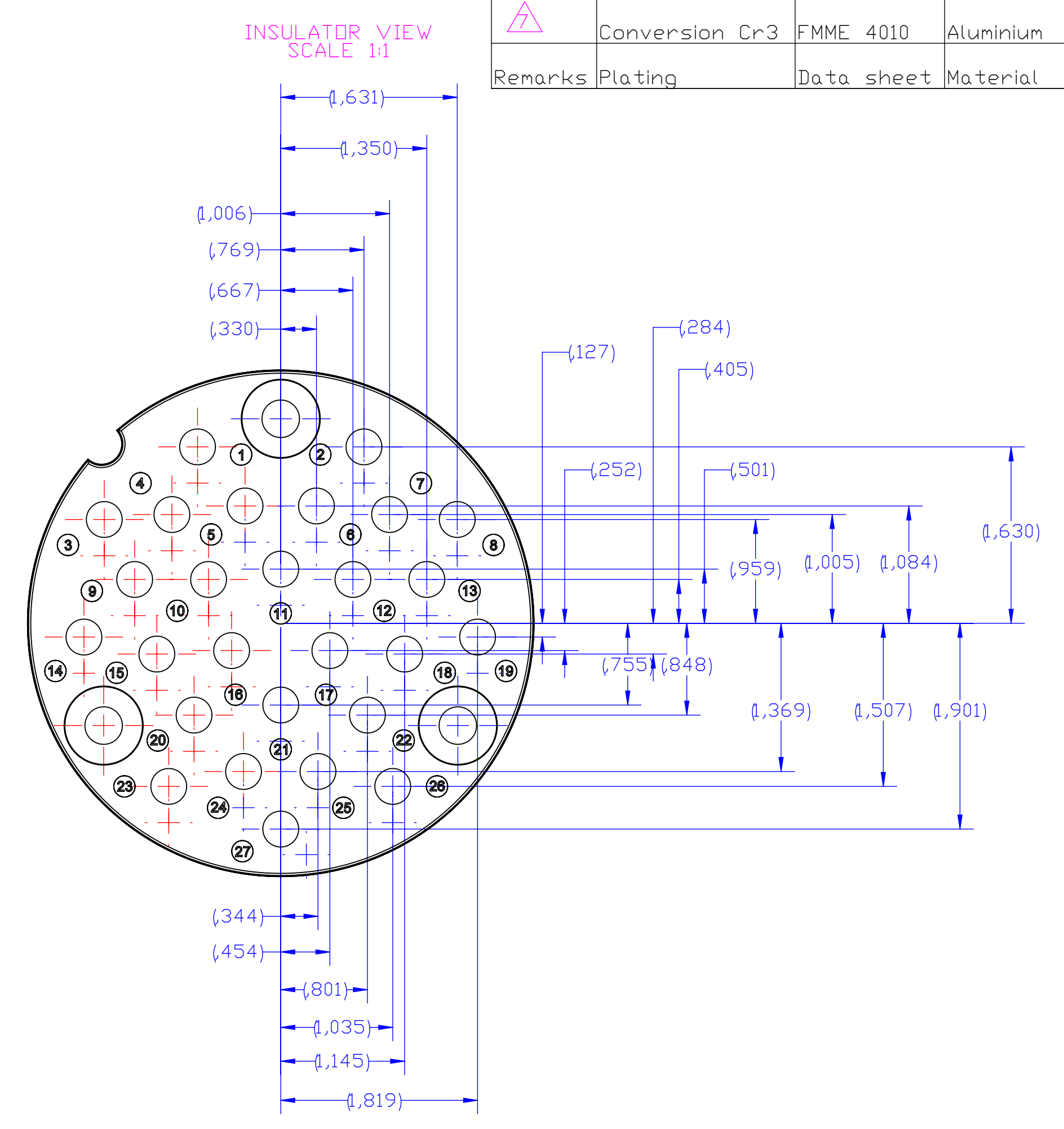
Isometric view - Scale 1:2



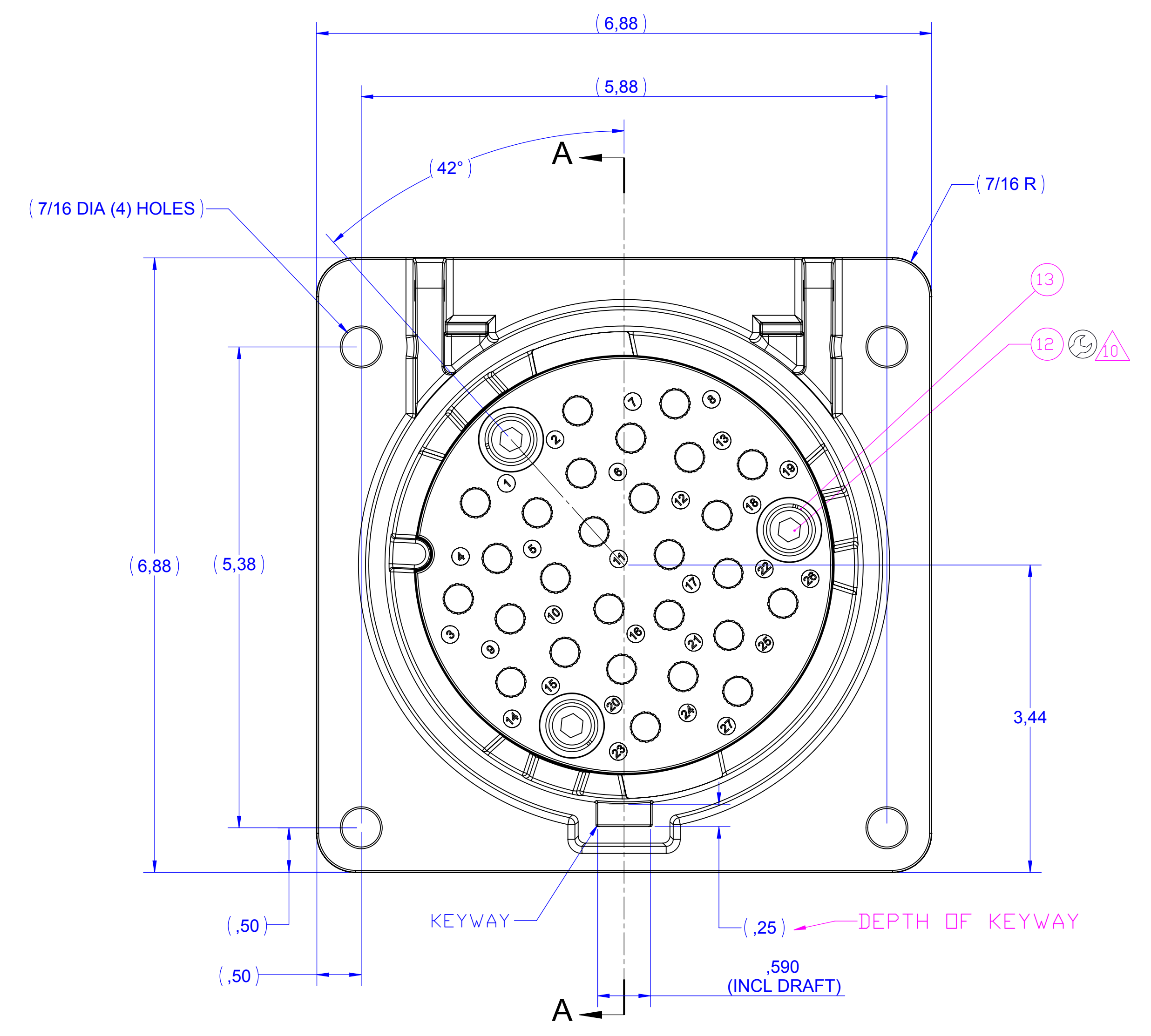
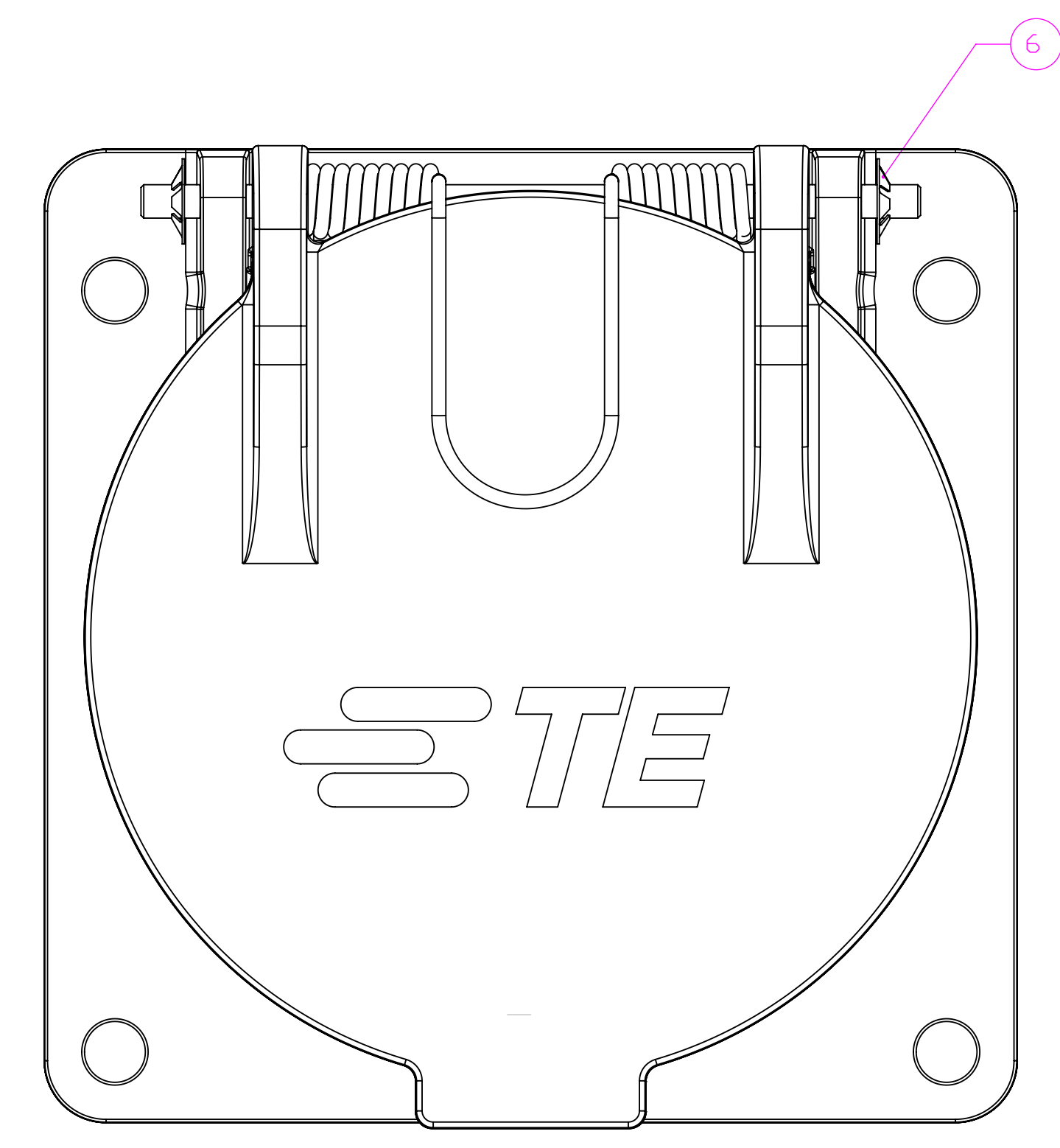
Isometric view - Scale 1:2



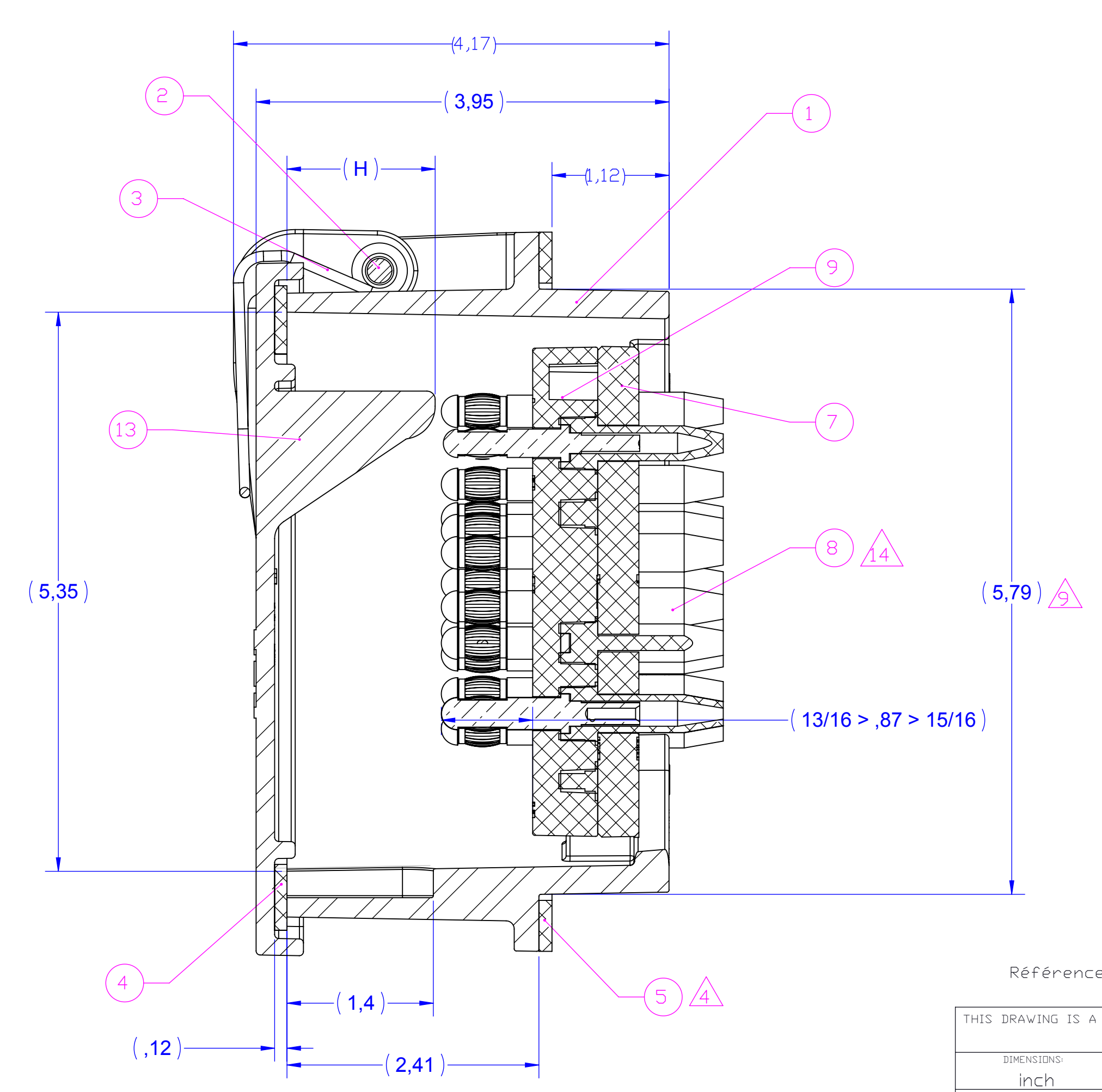
VIEW WITH COVER CLOSED



VIEW WITH COVER REMOVED



A-A VIEW

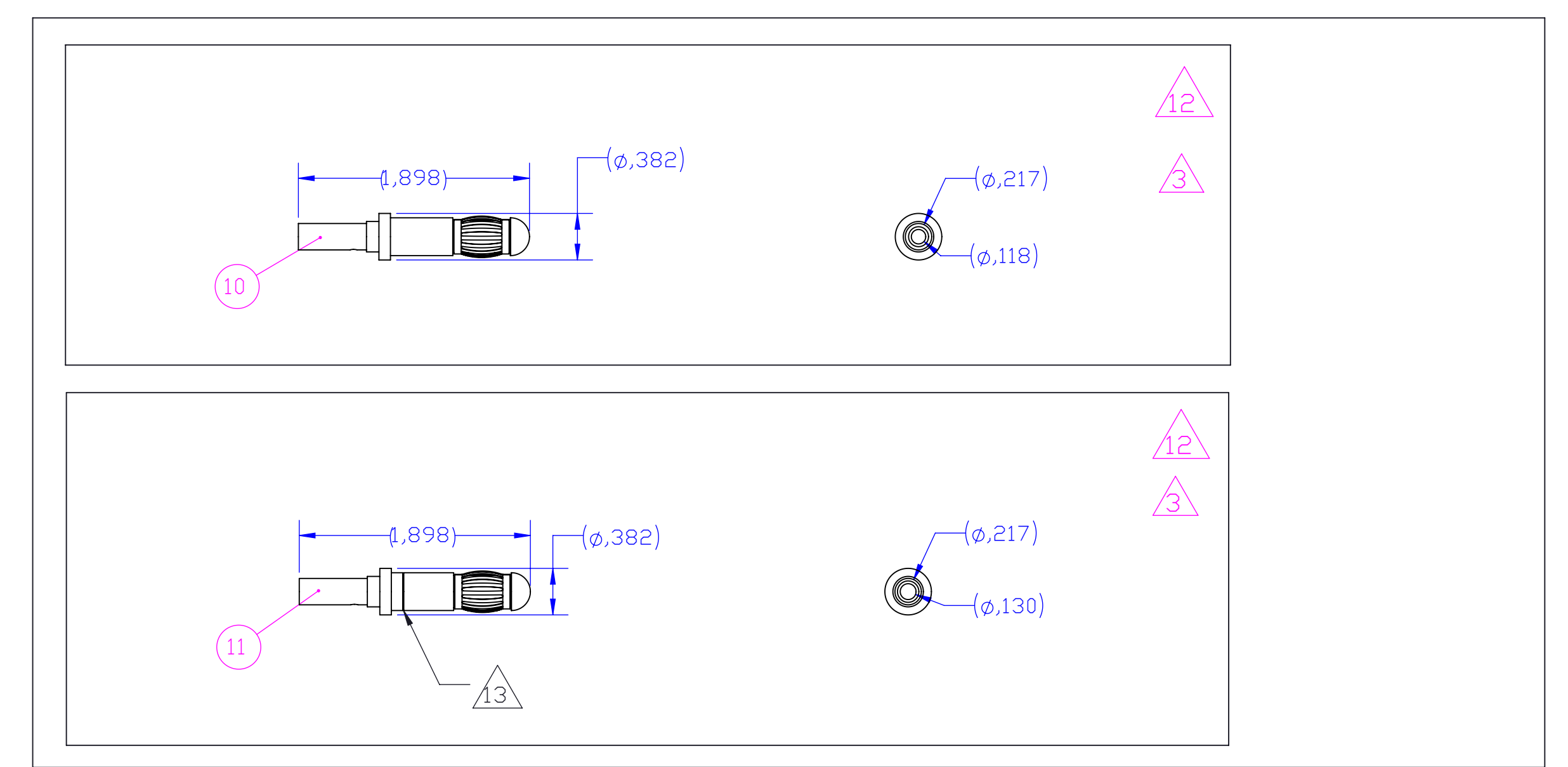


Item	Qty	Part number	Designation	Material	Weight (g)	Material	Weight (g)	Qty	Part number	Designation	Item
	1	YSPEC-408-157000-1	Mounting instruction								17
	1	0206-0329AS	Dehydrating bag		1.50	Paper		1	YSPEC-408-157000-1	Mounting instruction	17
	2	0158-0001-X	Collar	Plastic	0.50			2	0158-0001-X	Collar	16
	1	0206-0105AS	Box	Carton	88.14			1	0206-0105AS	Box	15
	1	YG-UC-211287A-JG05	Cover	Aluminium	376.47			1	YG-UC-211287A-JG05	Cover	14
	3	W-08-1	Washer	Stainless steel	1.15			3	W-08-1	Washer	13
	3	CHCM08x25-1	Screw CHC M8x25	Stainless steel	17.24			3	CHCM08x25-1	Screw CHC M8x25	12
	1	YS-UC-211946A-AA1A	Kit with 3 Male contacts 10 AWG	Brass	43.14			1	YS-UC-211946A-AA1A	Kit with 3 Male contacts 10 AWG	11
	1	YS-UC-211945A-AA1A	Kit with 24 Male contact AWG 12 and 10	Brass	349.15			1	YS-UC-211945A-AA1A	Kit with 24 Male contact AWG 12 and 10	10
	1	YK-UC-211275A-QK00	Male insulator	FTMP 651 Polycarbonate	162.78			1	YK-UC-211275A-QK00	Male insulator	9
	27	YK-UC-211315A-VP00	Sleeve	FMEL 31016 Neoprene	1.91			27	YK-UC-211315A-VP00	Sleeve	8
	1	YK-UC-211276A-QK00	Mixed insulator	FTMP 651 Polycarbonate	124.80			1	YK-UC-211276A-QK00	Mixed insulator	7
	2	Y0000000-7105-06-1	Self locking ring	Stainless Steel	0.41			2	Y0000000-7105-06-1	Self locking ring	6
	1	YA-UC-211297A-VN00	Gasket	FMEL 31015 Neoprene	52.30			1	YA-UC-211297A-VN00	Gasket	5
	1	1504-0019A4	Gasket	FMEL 31016 Neoprene	13.14			1	1504-0019A4	Gasket	4
	1	1504-0005A4	Spring	FMME 3034 Stainless steel	4.31			1	1504-0005A4	Spring	3
	1	1504-0018A4	Axis	FMME 3017 Stainless steel	3.95			1	1504-0018A4	Axis	2
	1	YG-UC-211282A-JG05	Receptacle body - position 42	Conversion Cr3 FMME 4010 Aluminium	1070.46			1	YG-UC-211282A-JG05	Receptacle body - position 42	1

Remarks Plating Data sheet Material Weight (g) Qty Part number Designation Item

Project NR	PRJ-14-00003352	REVISIONS	DATE	BY	APPV
		C	08JUL2015	MB	MV
		D	08JUL2015	MB	MV
		E	08SEP2014	EL	MV

- 1 ( ) : cotes pour information / dimensions for information
- 1 ( ) : cotes de controle / inspection dimensions
- 2 Instructions de mise en oeuvre à appliquer par le client  
Customer instructions to be applied by the customer
- 3 Ref. YS-UC-211946A-AA1A is a KIT with 3 contacts AWG10  
Ref. YS-UC-211945A-AA1A is a KIT with 24 contacts AWG12/14
- 4 Receptacle gasket is sold tied on the receptacle
- 5 Blue paint
- 8 Work instruction according to 118-157000-1
- 9 Diameter of panel mounting hole : 5,86±0,005
- 10 Tightening torque = 10N.m
- 11 Laser marking :  
TE + Commercial reference + Year-Week
- 12 Daniels manual crimping tool :  
- Hand Crimper HX4  
- Die Y543
- 13 Daniels pneumatic crimping tool :  
- Pneumatic pump HX23  
- Die Y543
- 14 Groove made to differentiate contacts
- 15 Sleeves packaging separately and identified
- 16 A label with the commercial reference and the complete BOM is glued on the cardboard
- 17 Standards :  
AAR S-SIZ, APTA RP-E-019-99
- 18 Packaging Specification 107-157003



Référence commerciale / Commercial reference : 27P-REC-2-01

THIS DRAWING IS A CONTROLLED DOCUMENT. 08JUL2015

DESIGNED BY: M. BONNIN 08JUL2015  
 DRAWN BY: J. GALIFAUD 08JUL2015  
 CHECKED BY: M. VIMARD 08JUL2015

PROJECT: 108-157001  
 APPLICATION: 408-157000-1  
 WEIGHT: 5.057 pound  
 CUSTOMER DRAWING

RECEPTACLE COMMUNICATION

STE TE Connectivity

SCALE: 1:1 SHEET: 1 OF 1 REV: C

## X-ON Electronics

Largest Supplier of Electrical and Electronic Components

*Click to view similar products for [Standard Circular Connector](#) category:*

*Click to view products by [TE Connectivity](#) manufacturer:*

Other Similar products are found below :

[5M2530B10P](#) [600259N006](#) [600273N007](#) [6134-336-13149](#) [6134-337-11149](#) [6134-337-2390](#) [6134-341-17149](#) [6280-4SG-516](#) [6280-7SG-3DC](#)  
[6290](#) [6291A](#) [66200A-10](#) [680-SMG](#) [681-PMG](#) [CXS3102A14S2P](#) [CXS3102A181S](#) [7271-6SG-300](#) [7282-3PG-300-CH3](#) [75-474014-05S](#) [75-](#)  
[474618-01S](#) [75-474618-04P](#) [75-474618-04S](#) [799539-000](#) [MI8-SE](#) [805-005-07NF11-19PC](#) [805-005-07NF15-7PA](#) [8280-4PG-516](#) [8280-7PG-](#)  
[519](#) [8282-5PG-519](#) [836783-1](#) [MP-4102-25P-C](#) [862256-1](#) [864019-2](#) [866857-1](#) [867865-1](#) [PT01SP-14-18P](#) [PT08P-14-5S](#) [120-1833-000](#)  
[QCM019PC2DC012B](#) [1-2069279-1](#) [121583-0217](#) [121667-0020](#) [129591AU](#) [1000B BULK](#) [RD10A16-19-P6CS051/1](#) [RD10A20-31-](#)  
[P8CS051/1](#) [RD16A14-12-S6CS051/2](#) [1301240290](#) [1301240347](#) [1301860202](#) [1301240268](#)