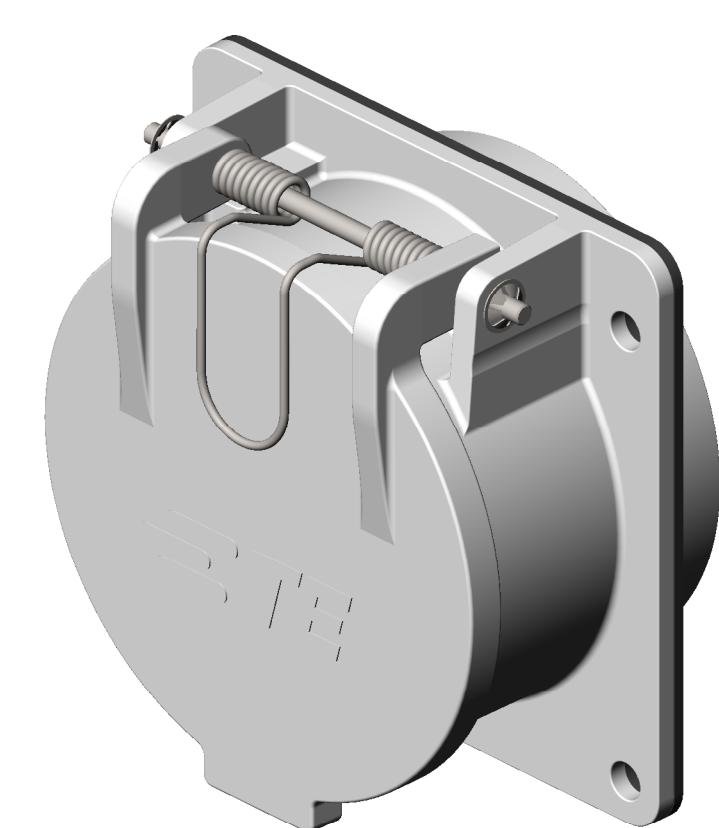
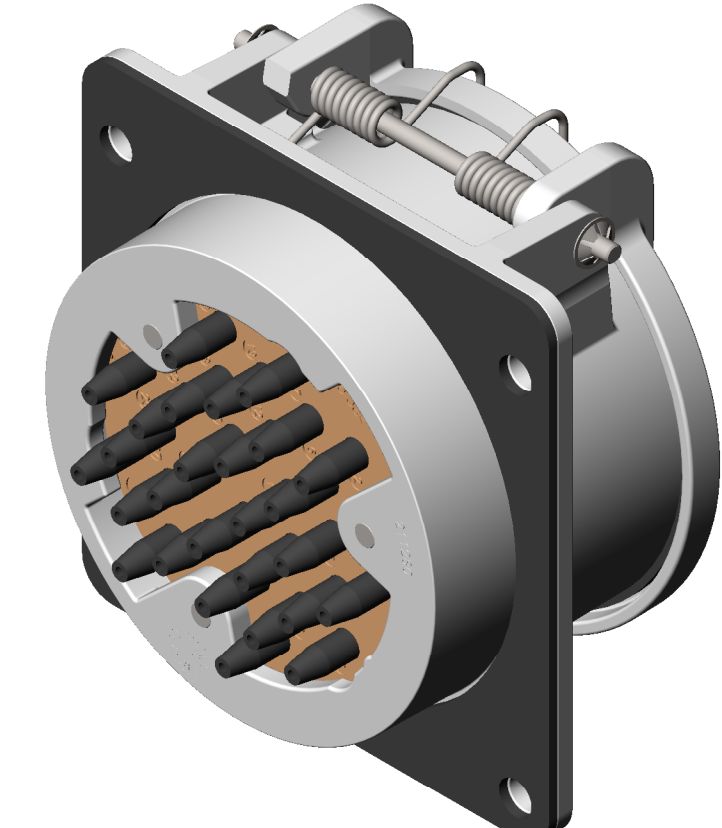


Project NR		REVISIONS			
P	L/W	DESCRIPTION	DATE	BY	APPV
B		Diffusion N°331170	08.JUL.2015	MB	MV
C		Agg Item 15, 17 and 18 - Agg notes 15 (Diffusion 331170)	11.APR.2015	MB	MV
D		Modify quantity of kit 11 + update product spec & application spec - Diffusion 331174	05.FEB.2014	EL	MV

Isometric view - Scale 1:2



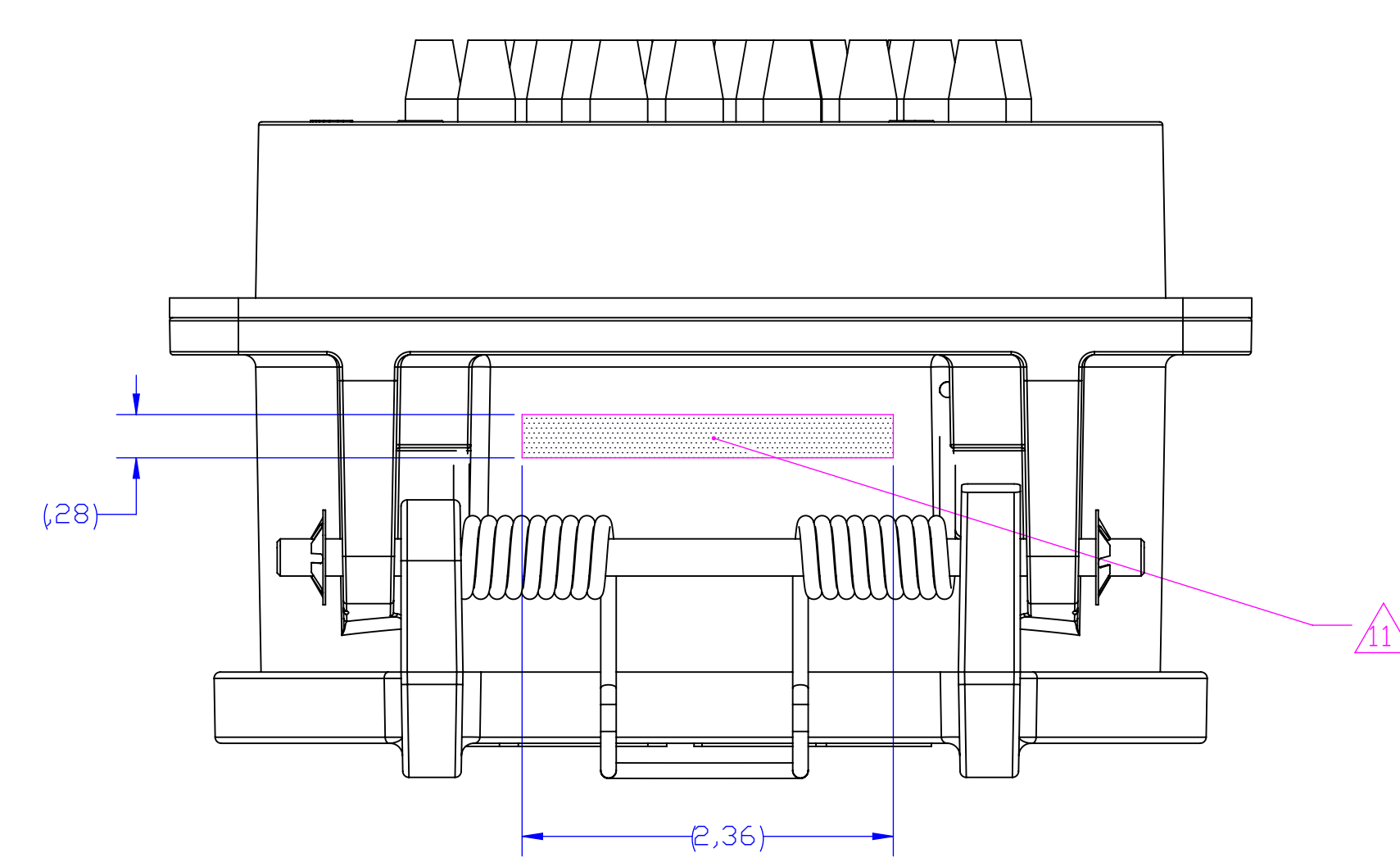
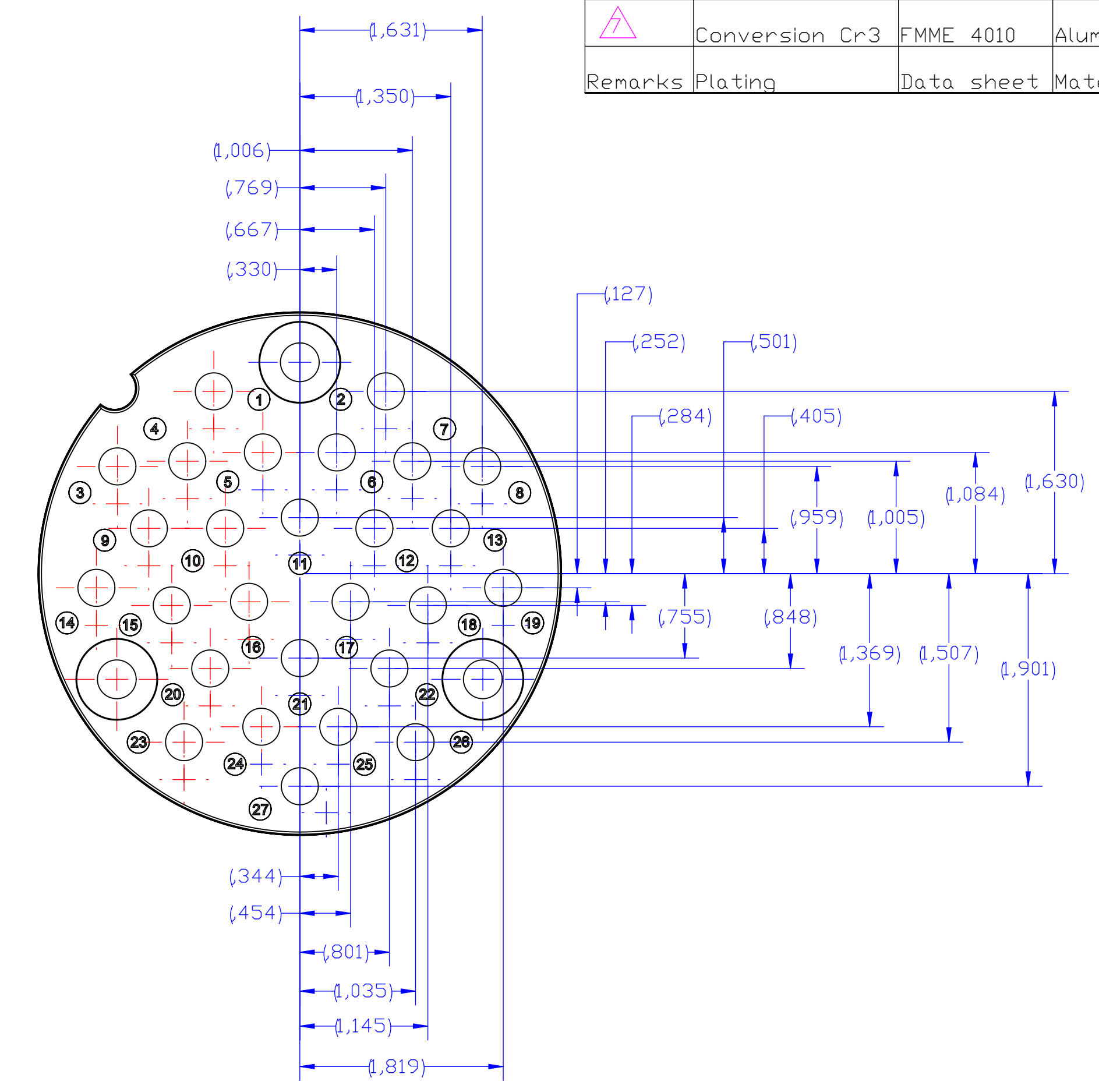
Isometric view - Scale 1:2



Item	Designation	Material	Weight (g)	Qty	Part number	Material	Weight (g)	Qty	Part number	Designation	Item
	Paper		5	1	YSPEC-408-157000-1					Mounting instruction	17
			1.50	1	0206-0329AS					Dehydrating bag	17
		Plastic	0.50	2	0158-0001-X					Collar	16
		Carton	88.14	1	0206-0105AS					Box	15
	Conversion Cr3	FMME 4010	Aluminium	376.47	1	YG-UC-211287A-JG07				Cover	14
			Stainless steel	1.15	3	W-08-I				Washer	13
			Stainless steel	17.24	3	CHCM08x25-I				Screw CHC MBx25	12
	Silver plating		Brass	43.14	1	YS-UC-211946A-AA1A				Kit with 3 Male contacts 10 AWG	11
	Silver plating		Brass	349.15	1	YS-UC-211945A-AA1A				Kit with 24 Male contact AWG 12 and 14	10
		FTMP 651	Polycarbonate	162.78	1	YK-UC-211275A-QK00				Male insulator	9
		FMEL 31016	Neoprene	1.91	27	YK-UC-211315A-VP00				Sleeve	8
		FTMP 651	Polycarbonate	124.80	1	YK-UC-211276A-QK00				Mixed insulator	7
			Stainless Steel	0.41	2	Y0000000-7105-06-I				Self locking ring	6
		FMEL 31015	Neoprene	52.3	1	YA-UC-211297A-VN00				Gasket	5
		FMEL 31016	Neoprene	13.14	1	1504-0019A4				Gasket	4
		FMME 3034	Stainless steel	4.31	1	1504-0005A4				Spring	3
		FMME 3017	Stainless steel	3.95	1	1504-0018A4				Axis	2
	Conversion Cr3	FMME 4010	Aluminium	1070.35	1	YG-UC-211283A-JG07				Receptacle body - position 77.5	1
Remarks	Plating	Data sheet	Material	Weight (g)	Qty	Part number				Designation	Item

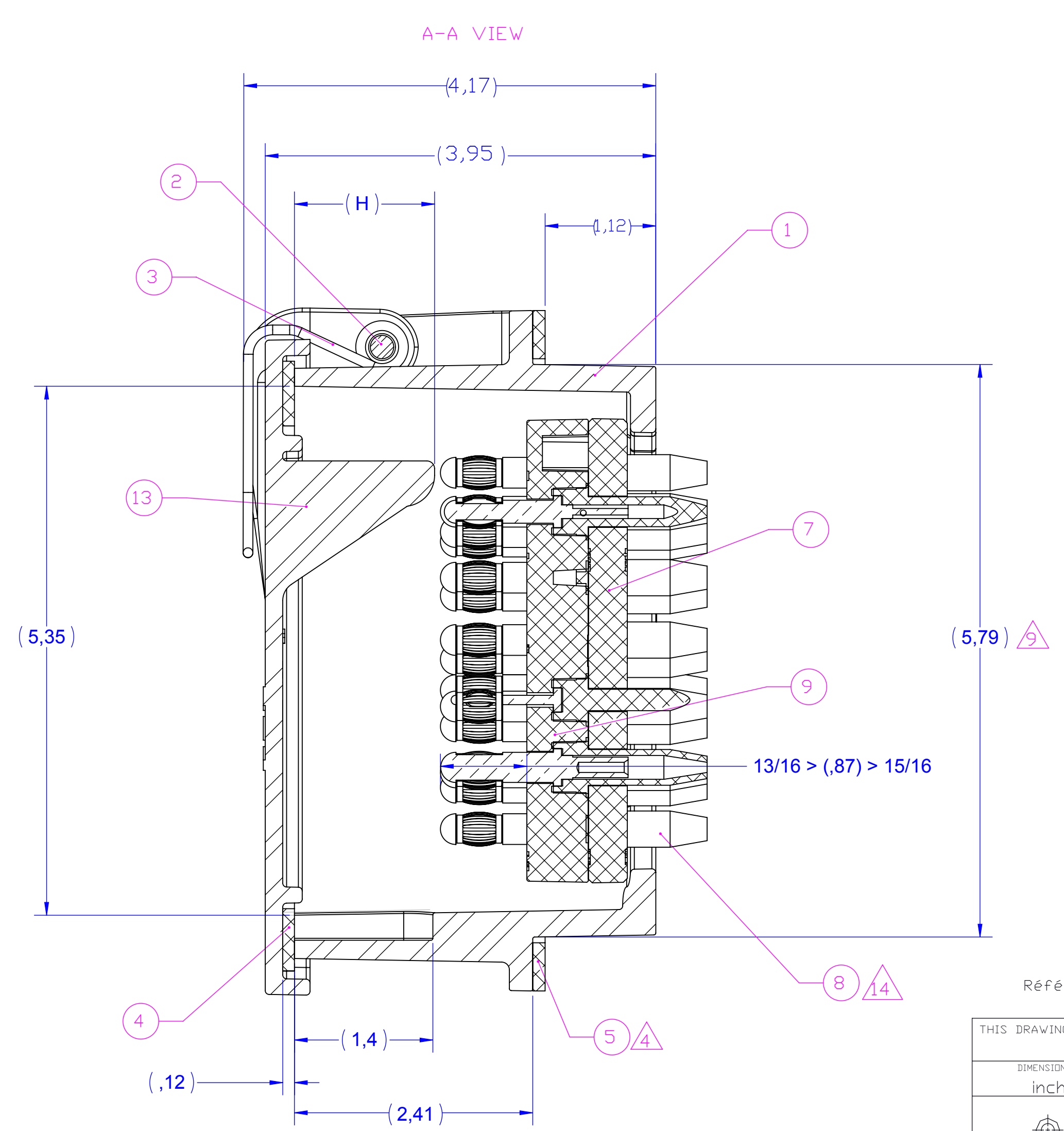
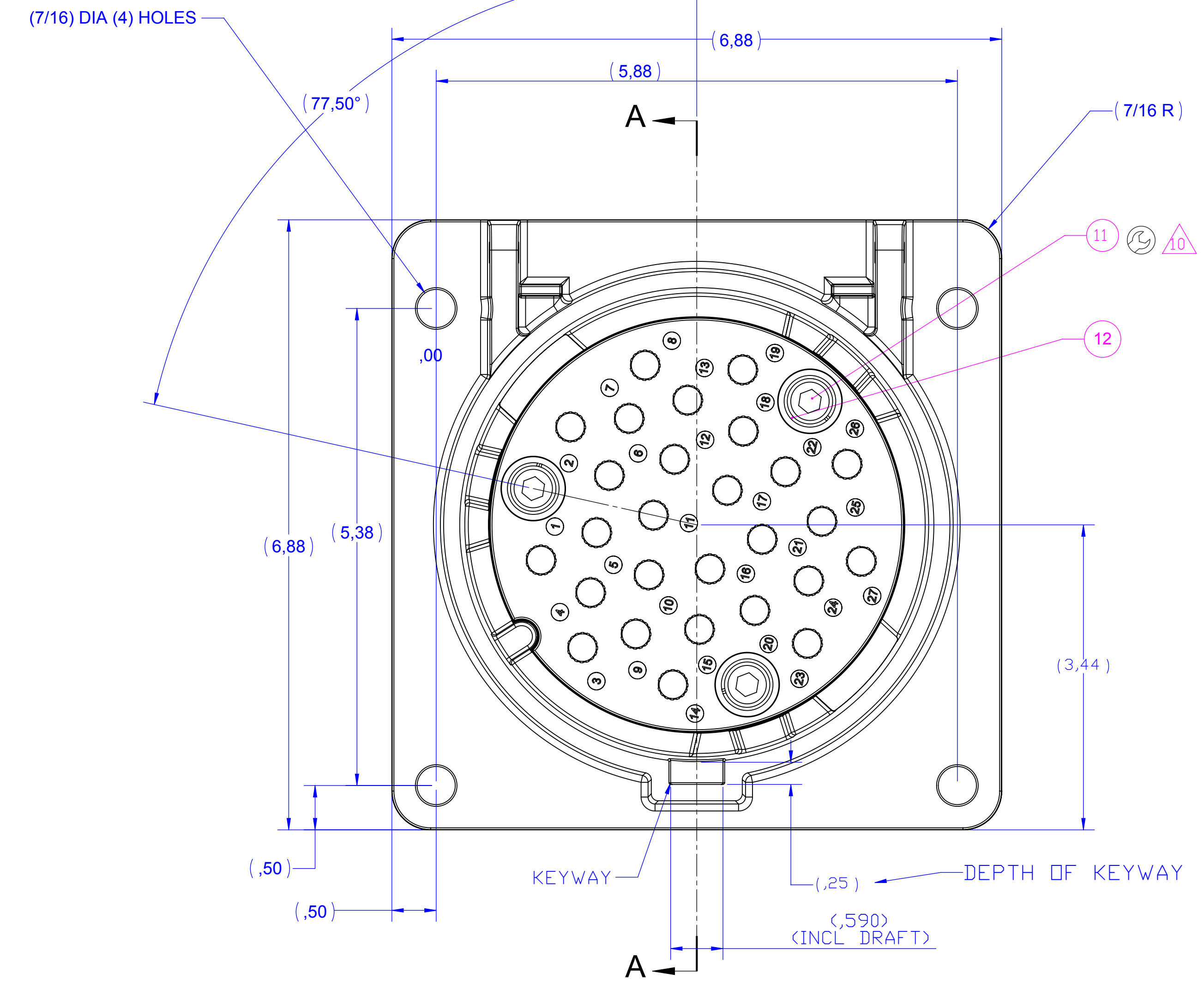
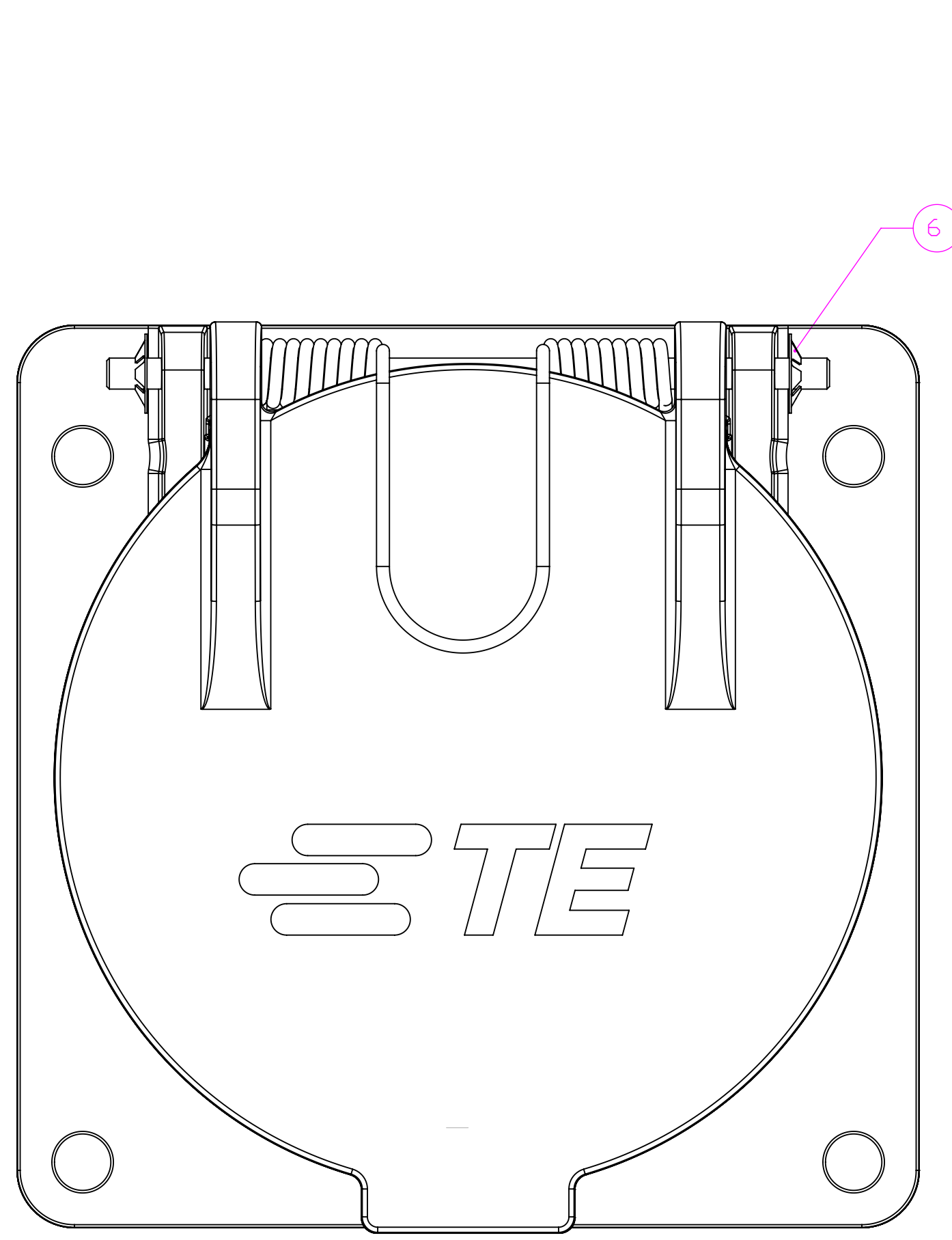
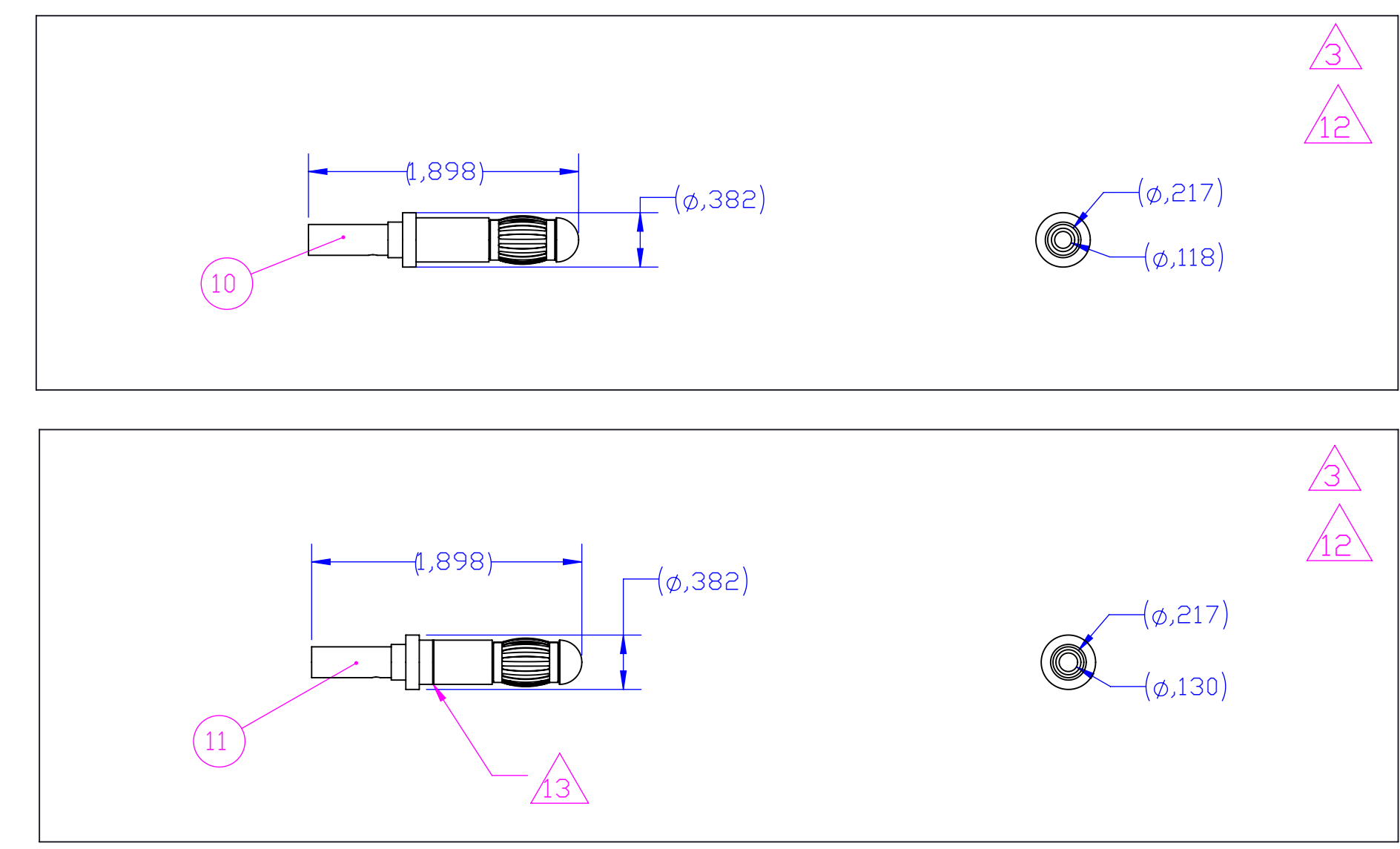
- 1 ( ) : cotes pour information / dimensions for information  
 ( ) : cotes de controle / inspection dimensions
- 2 Instructions de mise en oeuvre à appliquer par le client  
 Customer instructions to be applied by the customer
- 3 Ref. YS-UC-211946A-AA1A (item) is a KIT with 3 contacts AWG10  
 Ref. YS-UC-211945A-AA1A (item) is a KIT with 24 contacts AWG12/14
- 4 Receptacle gasket is sold tied on the receptacle
- 5 White paint
- 6
- 7
- 8 Work instruction according to 118-157000-1
- 9 Diameter of panel mounting hole : 5,86±0.005
- 10 Tightening torque = 10N.n
- 11 Laser marking :  
 TE + Commercial reference + Year-Week
- 12 Daniels manual crimping tool :  
 - Hand crimper HX4  
 - Die Y543  
 Daniels pneumatic crimping tool :  
 - Pneumatic pump HX23  
 - Die Y543
- 13 Groove made to differentiate contacts
- 14 Sleeves packaging separately and identified
- 15 A label with the commercial reference and the complete BDM is glued on the cardboard
- 16 Standards :  
 AAR S-512, APTA RP-E-019-99
- 17 Packaging Specification 107-157003

INSULATOR VIEW SCALE 1:1



VIEW WITH COVER CLOSED

VIEW WITH COVER REMOVED



Référence commerciale / Commercial reference : 27P-REC-3-01

THIS DRAWING IS A CONTROLLED DOCUMENT. 08JUL2015

DESIGNED BY: M BONNIN 08JUL2015  
 CHECKED BY: M GALBRAUD 08JUL2015  
 DRAWN BY: M VIMARD 08JUL2015

PRODUCT SPEC: 188-157001  
 APPLICATION SPEC: 408-157000-1  
 WEIGHT: 5.057 pound  
 CUSTOMER DRAWING

STANDARD: AC  
 SCALE: 1:1  
 SHEET: 1 OF 1  
 REV: 0

TE Connectivity  
 RECEPTACLE TYPICAL OF AEM-7  
 RESTRICTED TO

## X-ON Electronics

Largest Supplier of Electrical and Electronic Components

*Click to view similar products for [Standard Circular Connector](#) category:*

*Click to view products by [TE Connectivity](#) manufacturer:*

Other Similar products are found below :

[5M2530B10P](#) [600259N006](#) [600273N007](#) [6134-336-13149](#) [6134-337-11149](#) [6134-337-2390](#) [6134-341-17149](#) [6280-4SG-516](#) [6280-7SG-3DC](#)  
[6290](#) [6291A](#) [66200A-10](#) [680-SMG](#) [681-PMG](#) [CXS3102A14S2P](#) [CXS3102A181S](#) [7271-6SG-300](#) [7282-3PG-300-CH3](#) [75-474618-01S](#) [75-](#)  
[474618-04P](#) [75-474618-04S](#) [799539-000](#) [MI8-SE](#) [805-005-07NF11-19PC](#) [805-005-07NF15-7PA](#) [8280-4PG-516](#) [8280-7PG-519](#) [8282-5PG-](#)  
[519](#) [836783-1](#) [MP-4102-25P-C](#) [862256-1](#) [864019-2](#) [866857-1](#) [867865-1](#) [PT01SP-14-18P](#) [PT08P-14-5S](#) [120-1833-000](#)  
[QCM019PC2DC012B](#) [1-2069279-1](#) [121583-0217](#) [121667-0020](#) [129591AU](#) [1000B BULK](#) [RD10A16-19-P6CS051/1](#) [RD10A20-31-](#)  
[P8CS051/1](#) [RD16A14-12-S6CS051/2](#) [1301240290](#) [1301240347](#) [1301860202](#) [1301240268](#) [1301240275](#)