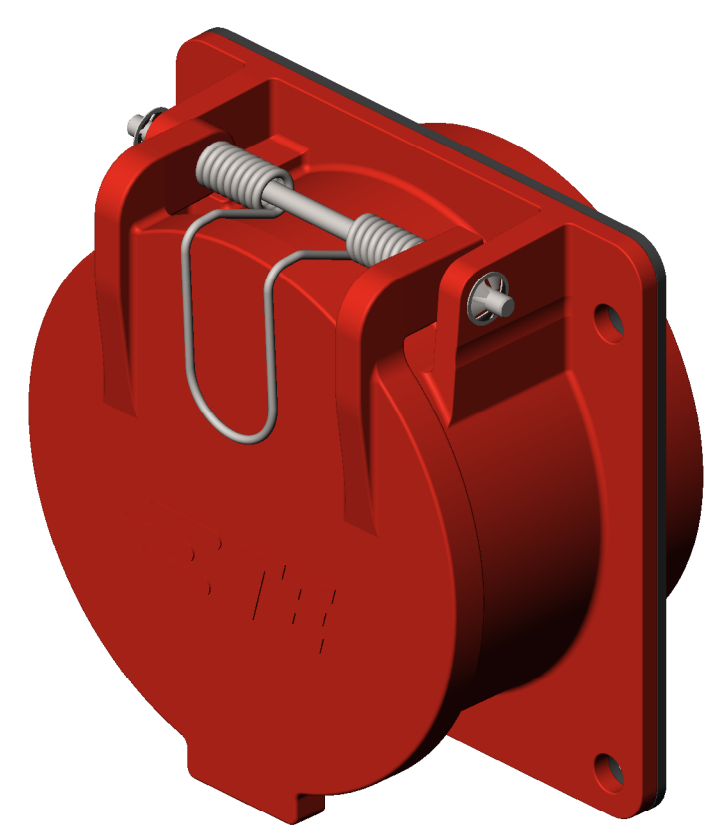
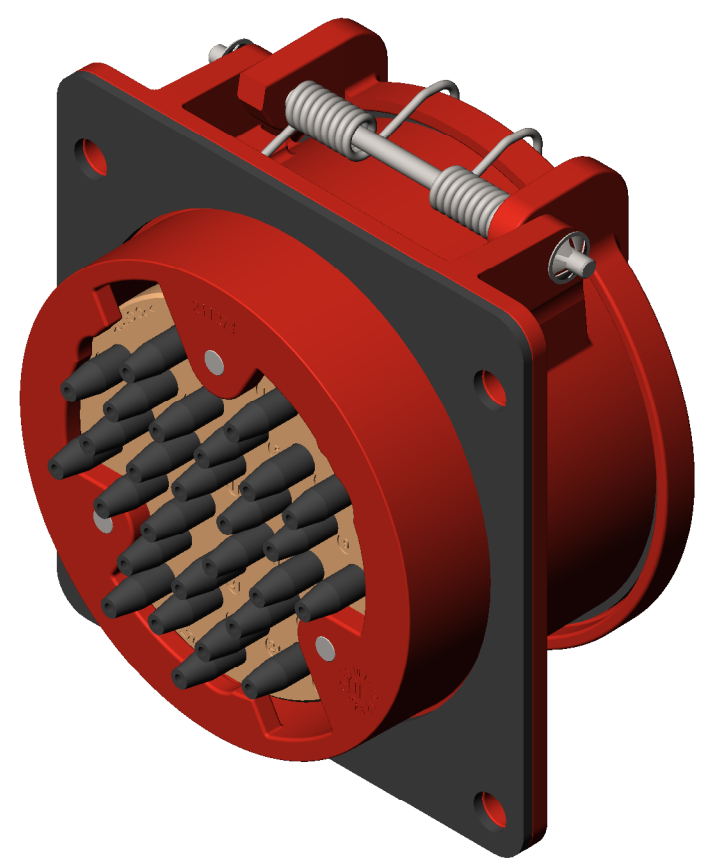


Project NR		REVISIONS			
P	LTV	DESCRIPTION	DATE	BY	APPV
B		Diffusion N°331170	06.AUG.2015	MB	MV
C		Add item 16, 17 and 18 - Add note 15 (Diffusion 2016)	11.APR.2016	MB	MV
D		Modify quantity of 11 - Update product spec & application spec - Diffusion 3014	05SEP2016	EL	MV

Isometric view - Scale 1:2



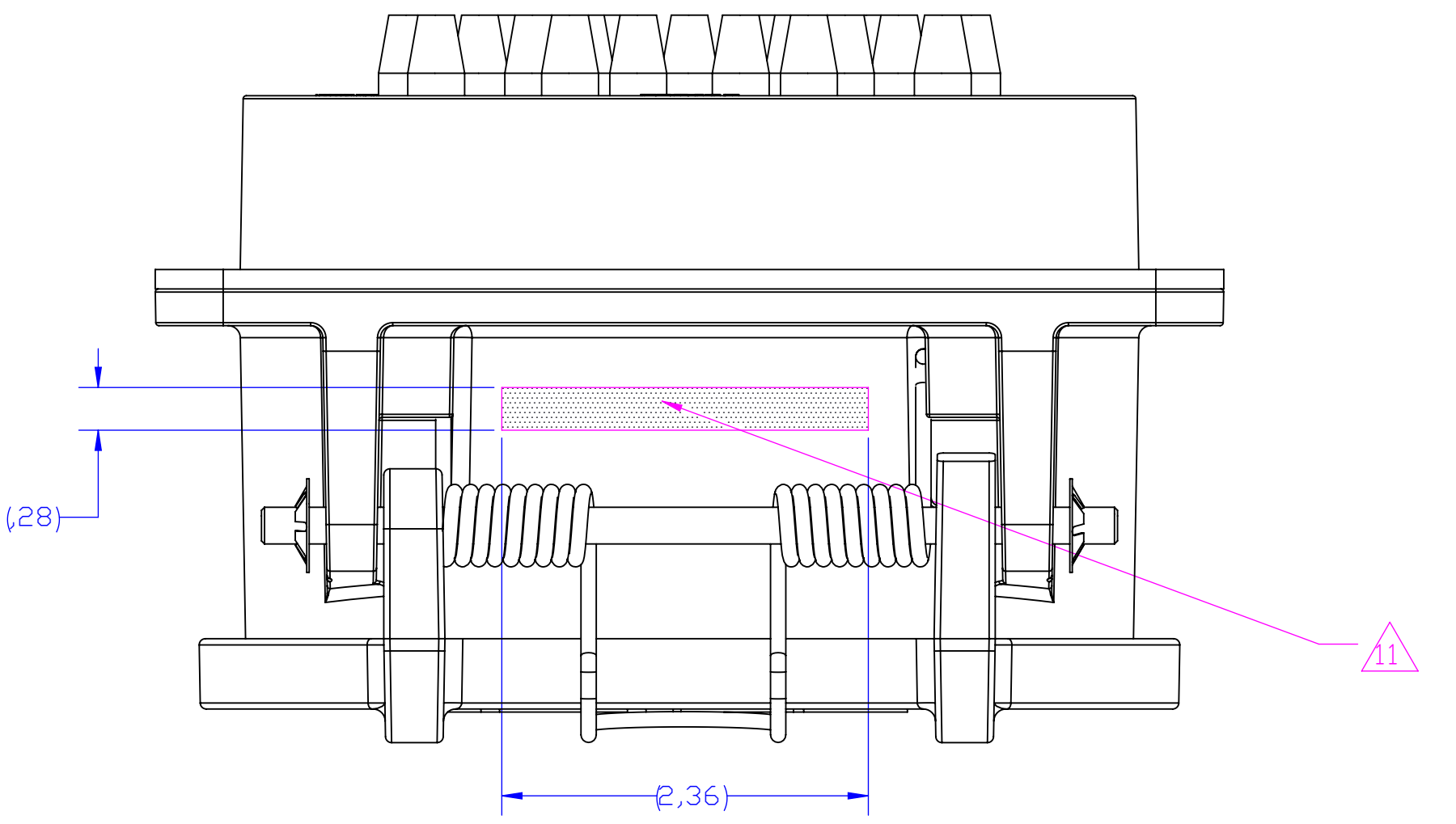
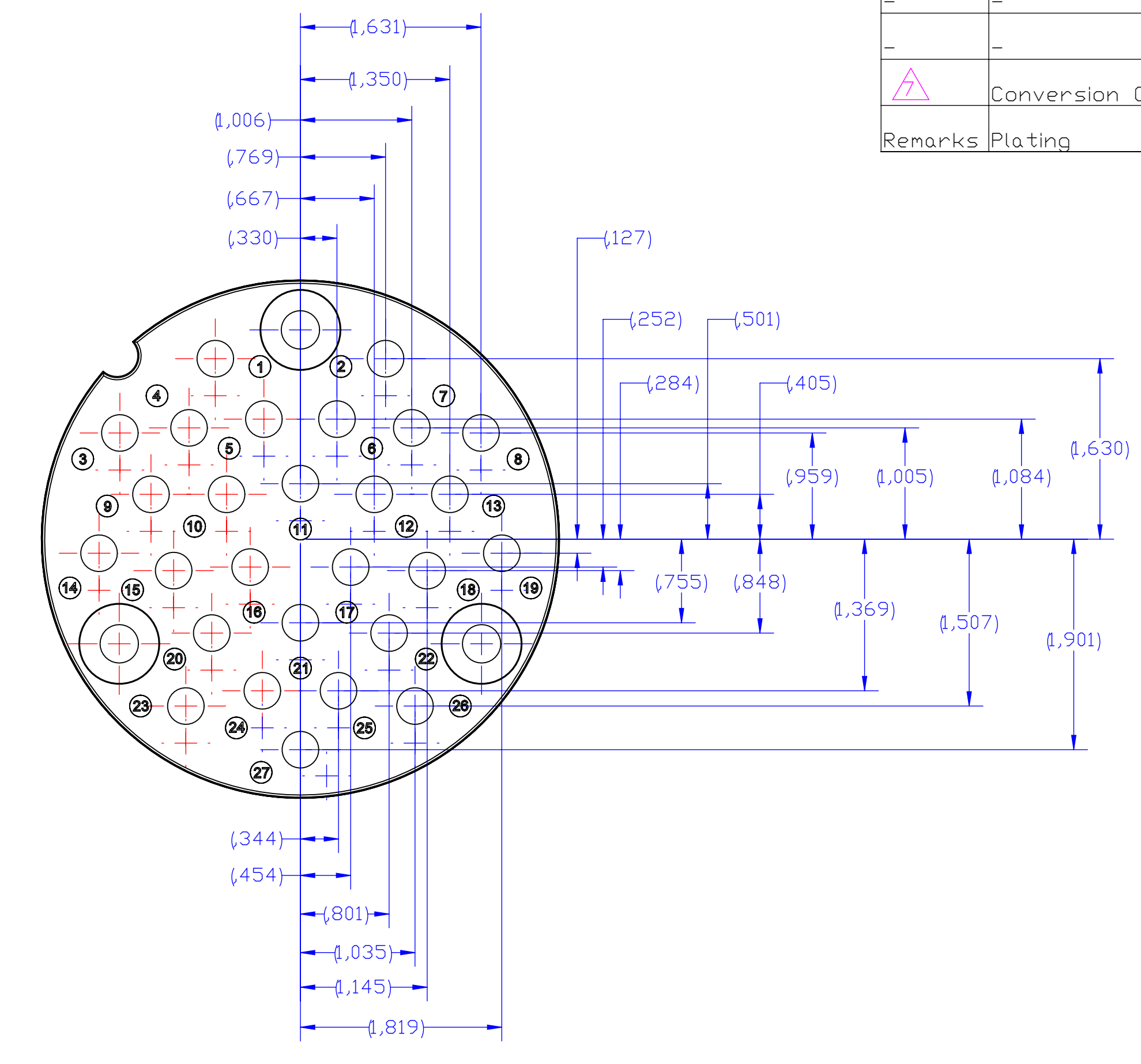
Isometric view - Scale 1:2



Item	Qty	Part number	Designation	Material	Weight (g)
	5	1	YSPEC-408-157000-1	Paper	
	1.50	1	0206-0329AS	Deshydrating bag	
	0.50	2	0158-0001-X	Plastic	
	88.14	1	0206-0105AS	Carton	
15			Conversion Cr-3	FMME 4010	Aluminium
	376.47	1	YG-UC-211287A-JG04	Cover	
	1.15	3	W-08-I	Stainless steel	
	17.24	3	CHCM08x25-I	Stainless steel	
3			Silver plating	Brass	
	43.14	1	YS-UC-211946A-AA1A	Kit with 3 Male contacts 10 AWG	
3			Silver plating	Brass	
	349.15	1	YS-UC-211945A-AA1A	Kit with 24 Male contactst AWG 12 and 14	
	162.78	1	YK-UC-211275A-QK00	Male insulator	
	1.91	27	YK-UC-211315A-VP00	Sleeve	
	124.8	1	YK-UC-211276A-QK00	Mixed insulator	
	0.41	2	Y0000000-7105-06-I	Self locking ring	
	52.3	1	YA-UC-211297A-VN00	Gasket	
	13.14	1	1504-0019A4	Gasket	
	4.31	1	1504-0005A4	Spring	
	3.95	1	1504-0018A4	Axis	
15			Conversion Cr-3	FMME 4010	Aluminium
	1070.45	1	YG-UC-211281A-JG04	Receptacle body - position 0	

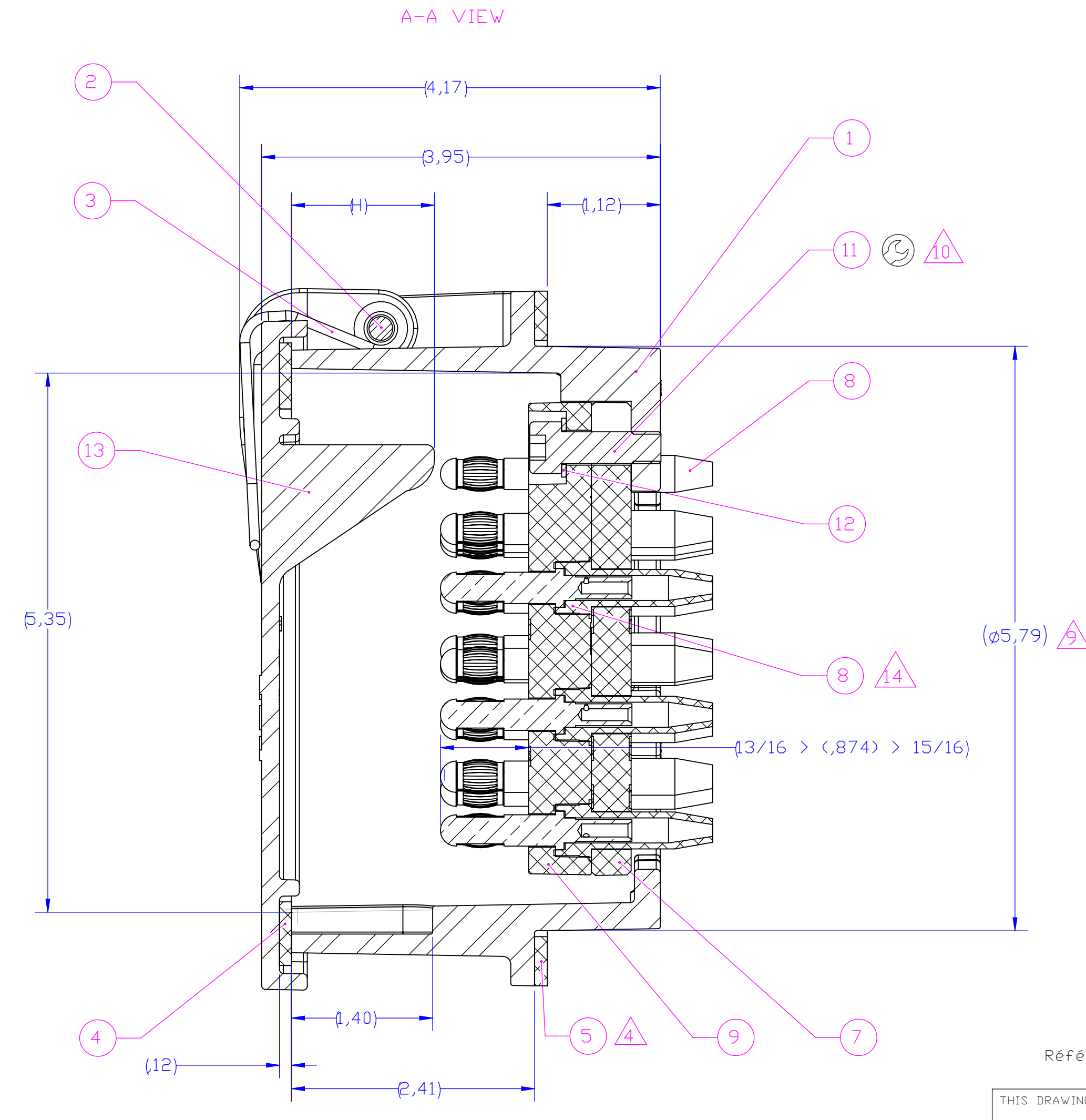
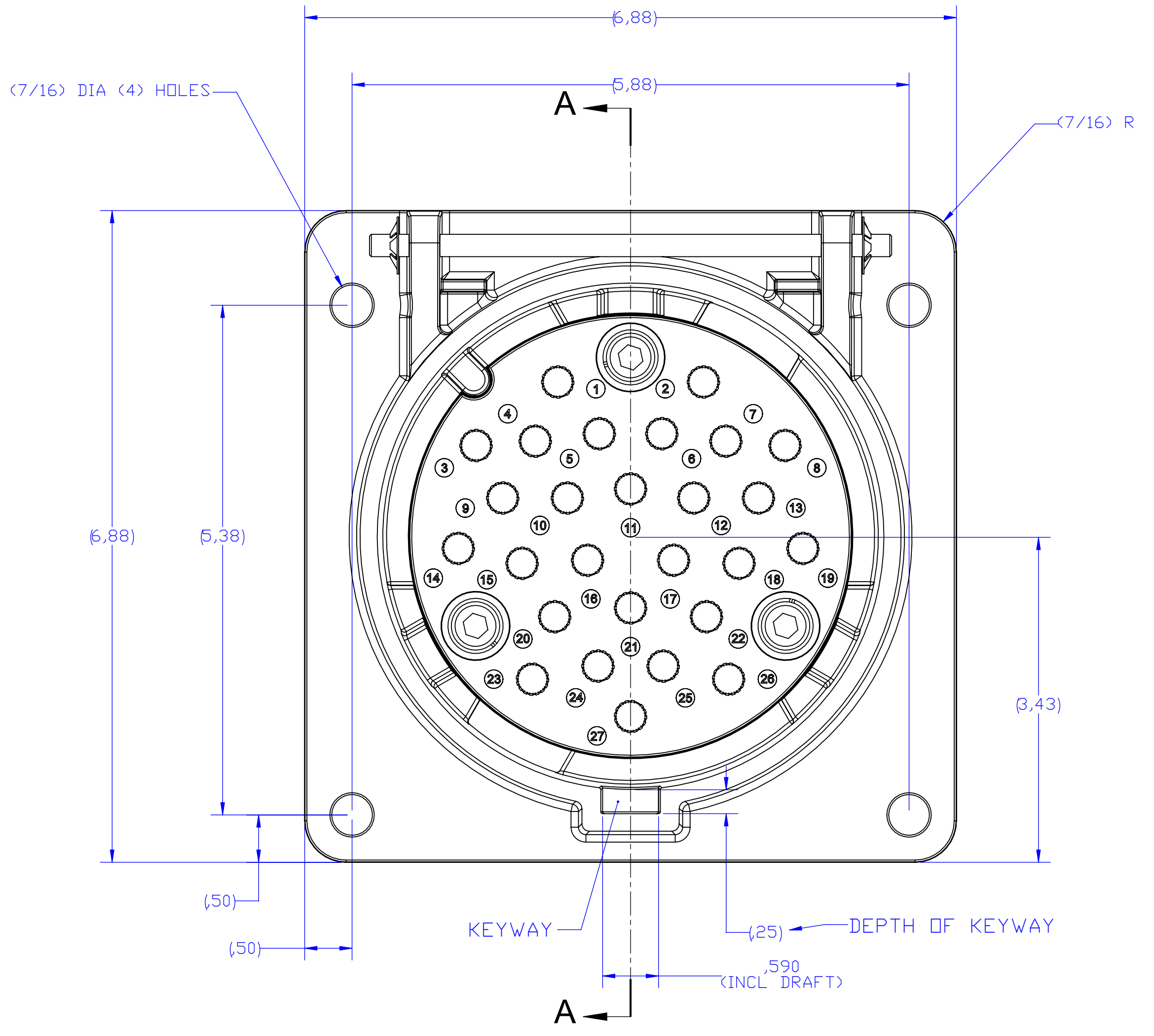
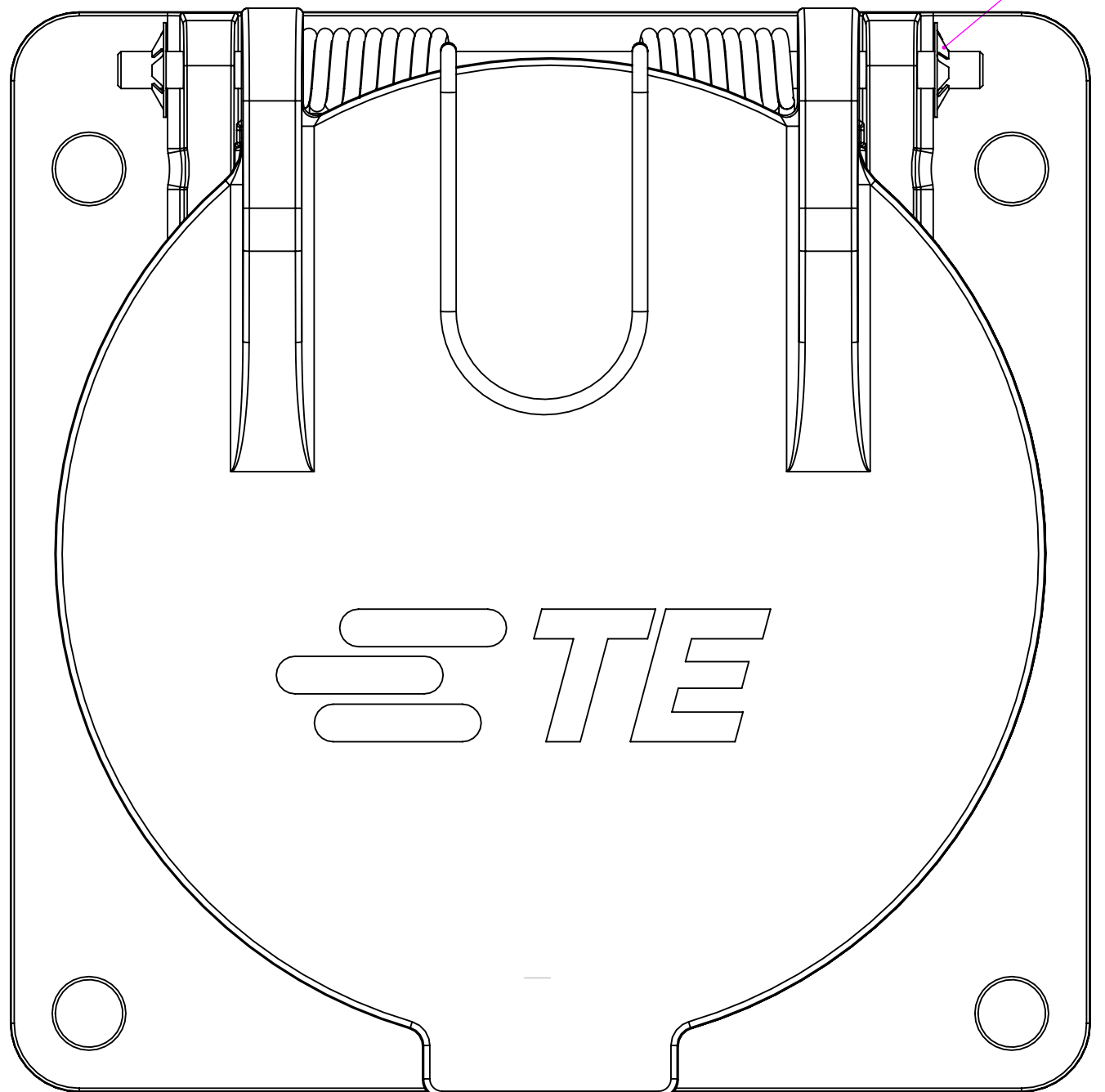
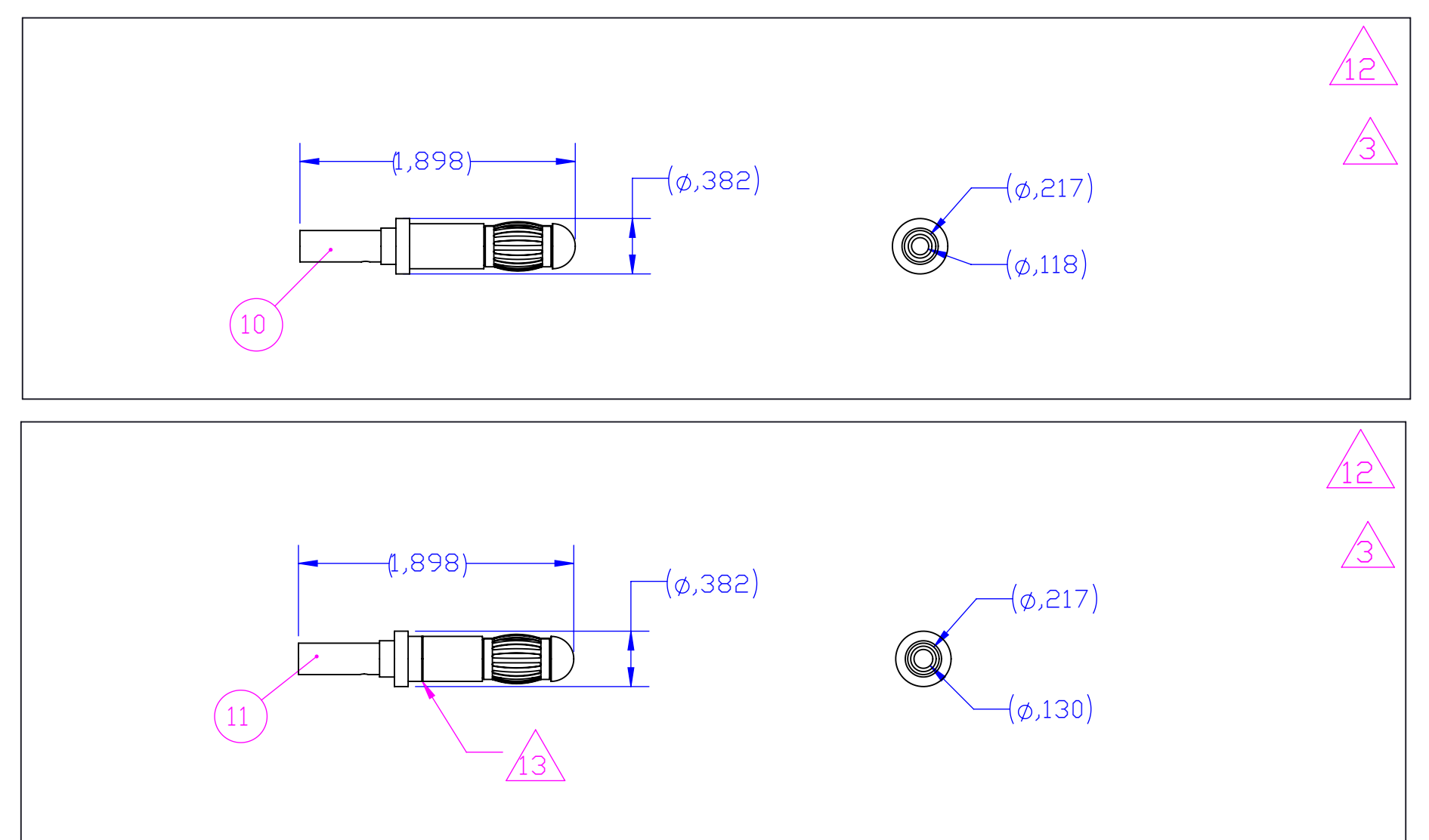
- ( ) : cotes pour information / dimensions for information  
( ) : cotes de controle / inspection dimensions
- Instructions de mise en oeuvre à appliquer par le client  
Customer instructions to be applied by the customer
- Ref. YS-UC-211946A-AA1A is a KIT with 3 contacts AWG10  
Ref. YS-UC-211945A-AA1A is a KIT with 24 contacts AWG12/14
- Receptacle gasket is sold tied on the receptacle
- Red paint
- Work instruction according to 118-157000-1
- Diameter of panel mounting hole : 5,86±0.005
- Tightening torque = 10N.m
- Laser marking :  
TE + Commercial reference + Year-Week
- Daniels manual crimping tool :  
- Hand crimper HX4  
- Die Y543  
Daniels pneumatic crimping tool :  
- Pneumatic pump HX23  
- Die Y543
- Groove made to differentiate contacts
- Sleeves packaging separately and identified
- A label with the commercial reference and the complete BDM is glued on the cardboard
- Standards :  
AAR 3-512, APTA RP-E-019-99
- Packaging Specification 107-157003

INSULATOR VIEW SCALE 1:1



VIEW WITH COVER CLOSED

VIEW WITH COVER REMOVED



Référence commerciale / Commercial reference : 27P-REC-4-01

THIS DRAWING IS A CONTROLLED DOCUMENT.

DESIGNED BY	INCH	DATE	09 JUL 2015
DRAWN BY	DATE	09 JUL 2015	
CHECKED BY	DATE	09 JUL 2015	
APPROVED BY	DATE	09 JUL 2015	

PRODUCT SPEC: 408-157001  
APPLICATION SPEC: 408-157000-1  
WEIGHT: 5.057 pound

CUSTOMER DRAWING

STE  
TE Connectivity  
COMMUNICATION COMMUTER RECEPTACLE

SCALE: 1:1 SHEET: 1 OF 1 REV: 0

## X-ON Electronics

Largest Supplier of Electrical and Electronic Components

*Click to view similar products for [Standard Circular Connector](#) category:*

*Click to view products by [TE Connectivity](#) manufacturer:*

Other Similar products are found below :

[5M2530B10P](#) [600259N006](#) [600273N007](#) [6134-336-13149](#) [6134-337-11149](#) [6134-337-2390](#) [6134-341-17149](#) [6280-4SG-516](#) [6280-7SG-3DC](#)  
[6290](#) [6291A](#) [66200A-10](#) [680-SMG](#) [681-PMG](#) [CXS3102A14S2P](#) [CXS3102A181S](#) [7271-6SG-300](#) [7282-3PG-300-CH3](#) [75-474014-05S](#) [75-](#)  
[474618-01S](#) [75-474618-04P](#) [75-474618-04S](#) [799539-000](#) [MI8-SE](#) [805-005-07NF11-19PC](#) [805-005-07NF15-7PA](#) [8280-4PG-516](#) [8280-7PG-](#)  
[519](#) [8282-5PG-519](#) [836783-1](#) [MP-4102-25P-C](#) [862256-1](#) [864019-2](#) [866857-1](#) [867865-1](#) [PT01SP-14-18P](#) [PT08P-14-5S](#) [120-1833-000](#)  
[QCM019PC2DC012B](#) [1-2069279-1](#) [121583-0217](#) [121667-0020](#) [129591AU](#) [1000B BULK](#) [RD10A16-19-P6CS051/1](#) [RD10A20-31-](#)  
[P8CS051/1](#) [RD16A14-12-S6CS051/2](#) [1301240290](#) [1301240347](#) [1301860202](#) [1301240268](#)