

THIS DRAWING IS UNPUBLISHED.

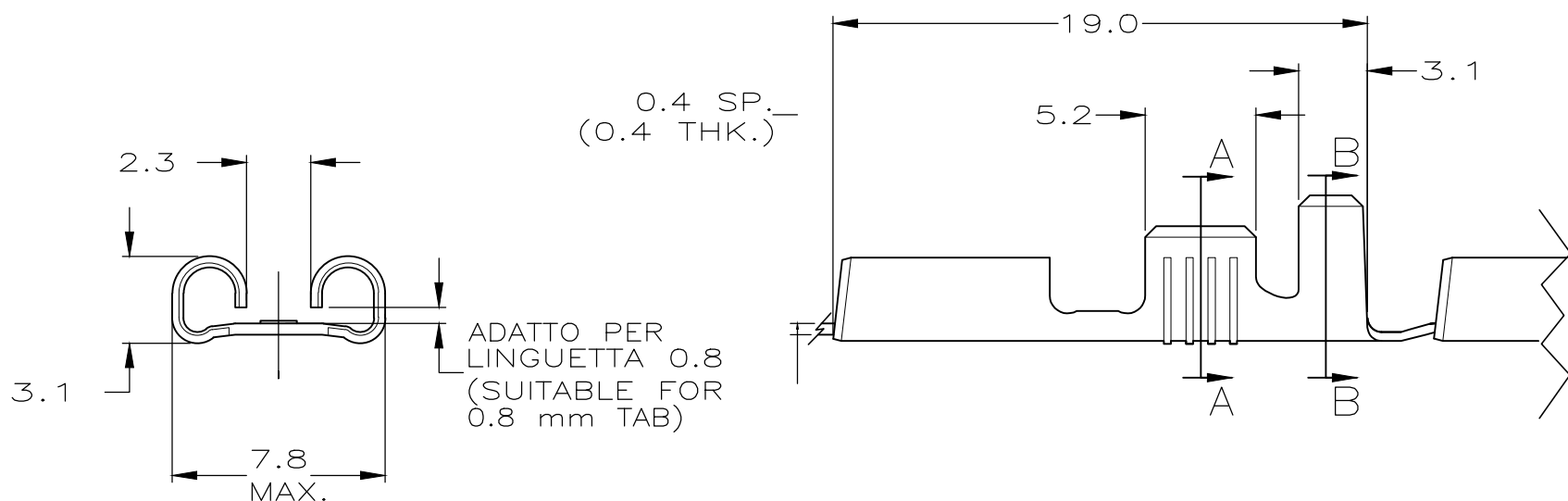
RELEASED FOR PUBLICATION

REVISIONS

© COPYRIGHT - TE Connectivity Ltd.

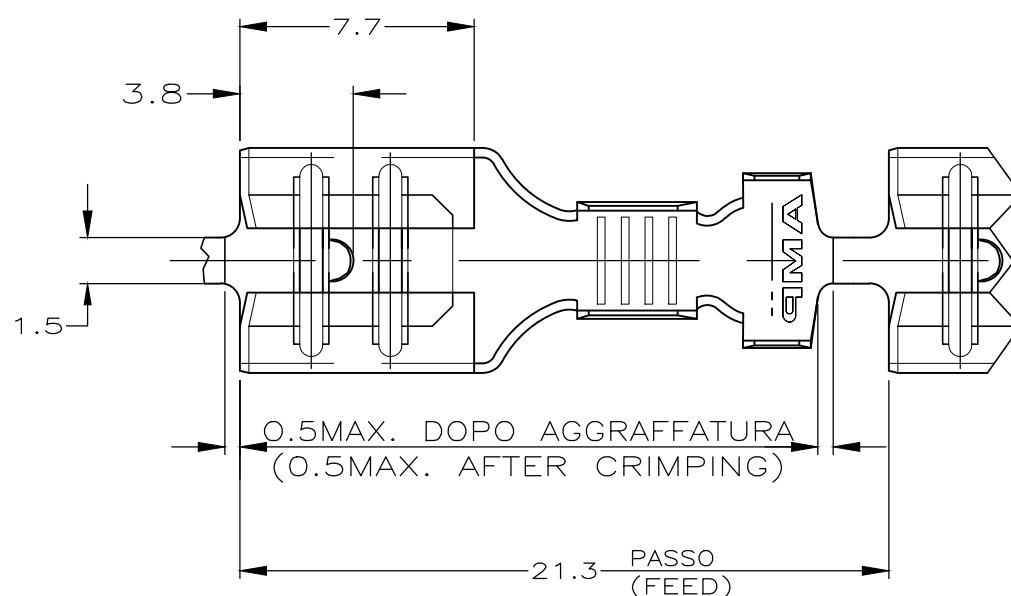
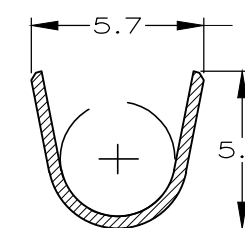
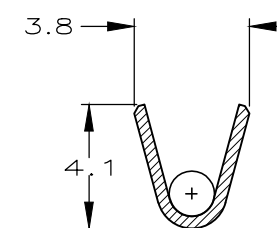
ALL RIGHTS RESERVED.

P	LTR	DESCRIPTION	DATE	DWN	APVD
	AH6	ECR-18-016037	10OCT2018	BH	RP



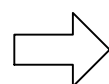
SEZIONE A-A (SECTION A-A)

SEZIONE B-B (SECTION B-B)



- 1 BOBINATO CON CARTA INTERPOSTA (REELED WITH INTERLEAVE PAPER STRIP).
- 2) SPECIFICA DI PRODOTTO 108-20019. (PRODUCT SPEC. 108-20019) SPECIFICA DI AGGRAFFATURA 114-20023. (APPLICATION SPEC. 114-20023).
- 3 P/N CON ALTA FORZA DI ESTRAZIONE (SUITABLE FOR HIGHER EXTRUCTION FORCE APPLICATION).
- 4 ~~OBSOLETE PARTS: OBSOLETE CIS STREAMLINING PER D.RENAUD/D.SINISI~~

STATO DI FORNITURA - SCALA 1:1 (SUPPLYING CONDITION - SCALE 1:1 -)



SENSO DI USCITA DEL TERMINALE DALLA BOBINA (DIRECTION OFF TOP OF REEL)

	1	STAGNATO (TIN PLTD)	OTTONE (BRASS)	1-280001-3	AH
	3	STAGNATO (TIN PLTD)	OTTONE (BRASS)	1-280001-2	AH
	3	NUDO (UNPLATED)	OTTONE (BRASS)	1-280001-1	AH
		NUDO (UNPLATED)	OTTONE (BRASS)	1-280001-0	AG
		STAGNATO (TIN PLTD)	OTTONE (BRASS)	0-280001-9	AG

THIS DRAWING IS A CONTROLLED DOCUMENT.		DWN A. FROLA 4 JUL 94	TE Connectivity Ltd.		
DIMENSIONS: mm		CHK C. TARTARI 4 JUL 96			
TOLERANCES UNLESS OTHERWISE SPECIFIED:		APVD	NAME		
0 PLC ±		PRODUCT SPEC	FASTON Connector		
1 PLC ± ±0.3		APPLICATION SPEC	.250 sr. REC. CONTACT		
2 PLC ±		SIZE	CAGE CODE	DRAWING NO	RESTRICTED TO
3 PLC ±		WEIGHT	A3	00779	C-280001
4 PLC ±		CUSTOMER DRAWING			
ANGLES ±2'		SCALE	SHEET	REV	
FINISH		4:1	1 OF 1	AH6	

X-ON Electronics

Largest Supplier of Electrical and Electronic Components

Click to view similar products for [Terminals](#) category:

Click to view products by [TE Connectivity](#) manufacturer:

Other Similar products are found below :

[00-054007-01074-6](#) [00-054007-70206-1](#) [00-054007-70210-8](#) [00-054007-70217-7](#) [00-054007-70226-9](#) [00-054007-70228-3](#) [00-054007-70248-1](#) [00-054007-70256-6](#) [00-054007-70301-3](#) [00-054007-70316-7](#) [0-0320562-0](#) [00-054007-49560-4](#) [00-054007-70209-2](#) [00-054007-70225-2](#) [00-054007-70227-6](#) [00-054007-70231-3](#) [00-054007-70241-2](#) [00-054007-70242-9](#) [00-054007-70244-3](#) [00-054007-70246-7](#) [00-054007-70263-4](#) [00-054007-70288-7](#) [00-054007-70290-0](#) [00-054007-70300-6](#) [00-054007-70304-4](#) [01-2065-1-0216](#) [01-2900-1-04412](#) [00581P0075](#) [600TS-10](#) [60205-1](#) [604200-1](#) [605601-1](#) [60598-1-CUT-TAPE](#) [61314-6-C](#) [61810-3](#) [61-S](#) [61-SN](#) [626-0194](#) [62-NBM-A](#) [62-SN](#) [62-SP](#) [63-S](#) [640179-1](#) [M55155/059I03](#) [M55155/079C01](#) [M55155/099H02](#) [M55155/109H01](#) [M55155/109H02](#) [M55155/12XH05](#) [M55155/16XH02](#)