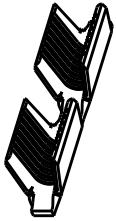
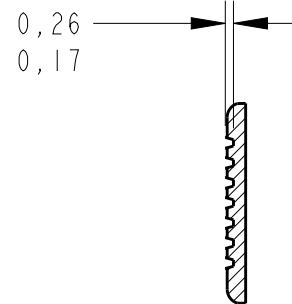
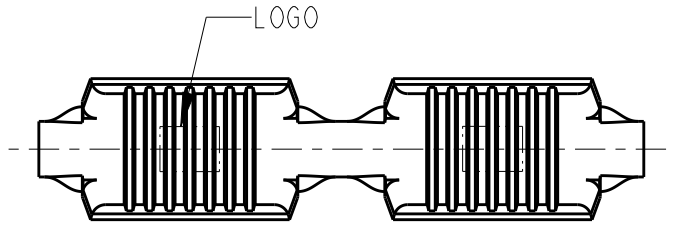


REVISIONS

| P | LTR | DESCRIPTION                      | DATE       | DWN | APVD |
|---|-----|----------------------------------|------------|-----|------|
|   | T4  | REDRAWN AND REV. BY ECO16-005110 | 12JULY2016 | HC  | WLS  |
|   | T5  | REVISED BY ECO 16-010925         | 25JULY2016 | HC  | WLS  |
|   |     |                                  |            |     |      |

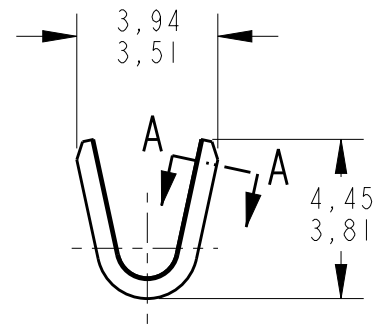
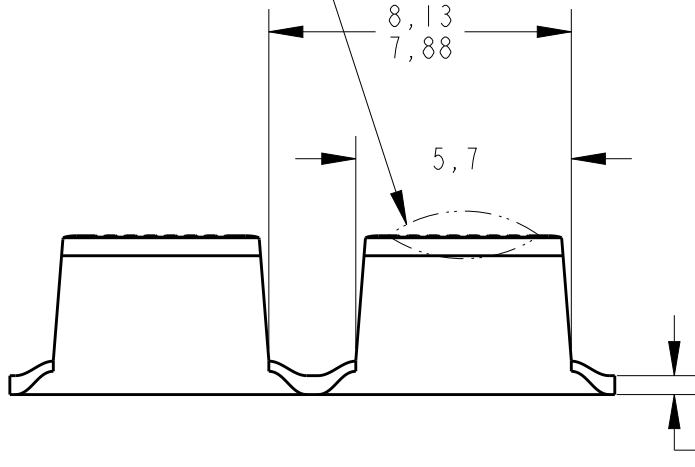


SCALE 2:1



SECTION A-A

SMALL DISTORTION PERMITTED



- ① - NOT FOR USE WITH ALUMINUM MAGNET WIRE, USE WITH COPPER MAGNET WIRE ONLY.
- ② - PACKAGING 20.000 PCS/REEL WITH PAPER INTERLEAVE - 3 REELS/BOX.

WIRE RANGE  
1500-5000 CMA

|            |          |             |   |   |
|------------|----------|-------------|---|---|
| —          | BRASS    | 1-280002-1  | ② | ① |
| TIN PLATED | BRASS    | 280002-2    |   |   |
| —          | BRASS    | 280002-1    | ① |   |
| FINISH     | MATERIAL | PART NUMBER |   |   |

RELEASED FOR PUBLICATION

ALL RIGHTS RESERVED.

THIS DRAWING IS UNPUBLISHED.

© COPYRIGHT copyright\_dBTe

|  |                                    |                  |           |            |               |
|--|------------------------------------|------------------|-----------|------------|---------------|
| DIMENSIONS:<br>mm                      | DWN<br>H.C. CANTERI<br>21 JAN 2015 | MATERIAL         | FINISH    |            |               |
| TOLERANCES UNLESS OTHERWISE SPECIFIED: | CHK<br>W.L. STEFANI<br>21 JAN 2015 | TE Connectivity  |           |            |               |
| 0 PLC ±-                               | APVD -                             |                  |           |            | NAME          |
| 1 PLC ±0,4                             | PRODUCT SPEC -                     | SIZE             | CAGE CODE | DRAWING NO | RESTRICTED TO |
| 2 PLC ±-                               | APPLICATION SPEC -                 | A 4              |           | C-280002   | -             |
| 3 PLC ±-                               | WEIGHT -                           | CUSTOMER DRAWING |           | SCALE      | SHEET         |
| 4 PLC ±-                               |                                    |                  |           | 5:1        | 1 OF 1        |
| ANGLES ±-                              |                                    |                  |           |            | REV T5        |

## X-ON Electronics

Largest Supplier of Electrical and Electronic Components

*Click to view similar products for [Terminals](#) category:*

*Click to view products by [TE Connectivity](#) manufacturer:*

Other Similar products are found below :

[00-054007-01074-6](#) [00-054007-70206-1](#) [00-054007-70210-8](#) [00-054007-70217-7](#) [00-054007-70226-9](#) [00-054007-70228-3](#) [00-054007-70248-1](#) [00-054007-70256-6](#) [00-054007-70301-3](#) [00-054007-70316-7](#) [0-0320562-0](#) [00-054007-49560-4](#) [00-054007-70209-2](#) [00-054007-70225-2](#) [00-054007-70227-6](#) [00-054007-70231-3](#) [00-054007-70241-2](#) [00-054007-70242-9](#) [00-054007-70244-3](#) [00-054007-70246-7](#) [00-054007-70263-4](#) [00-054007-70288-7](#) [00-054007-70290-0](#) [00-054007-70300-6](#) [00-054007-70304-4](#) [01-2065-1-0216](#) [01-2900-1-04412](#) [00581P0075](#) [600TS-10](#) [60205-1](#) [604200-1](#) [605601-1](#) [60598-1-CUT-TAPE](#) [61314-6-C](#) [61810-3](#) [61-S](#) [61-SN](#) [626-0194](#) [62-NBM-A](#) [62-SN](#) [62-SP](#) [63-S](#) [640179-1](#) [M55155/059I03](#) [M55155/079C01](#) [M55155/099H02](#) [M55155/109H01](#) [M55155/109H02](#) [M55155/12XH05](#) [M55155/16XH02](#)