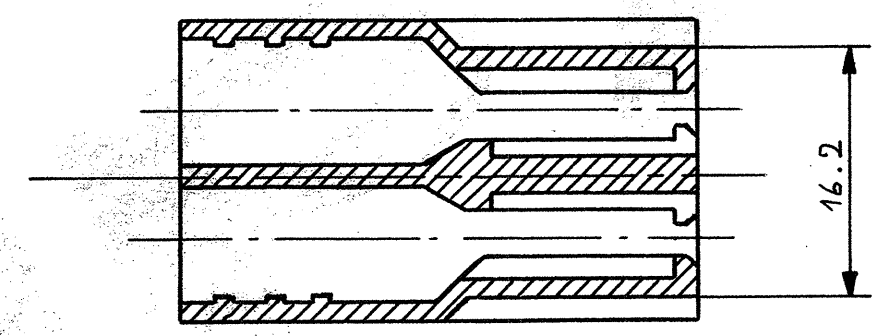
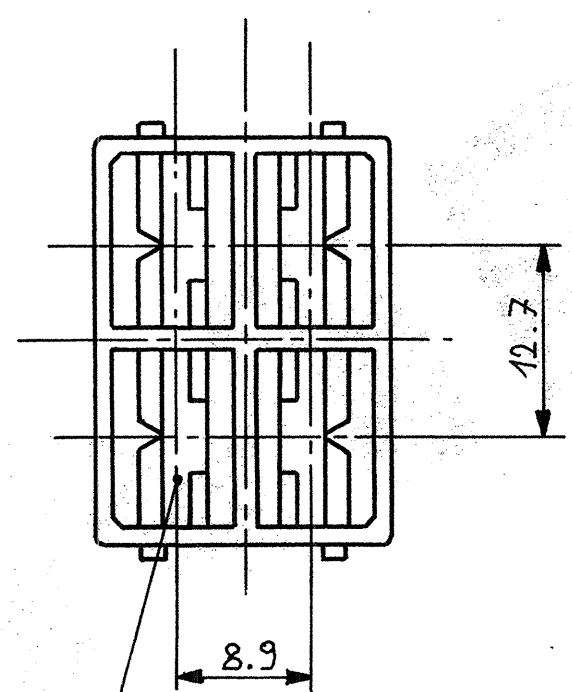
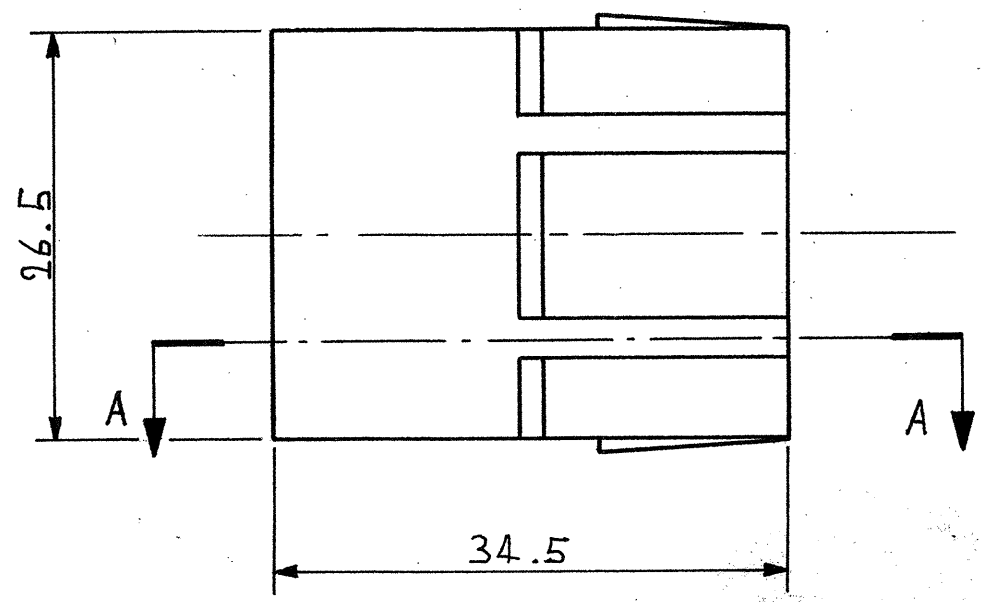
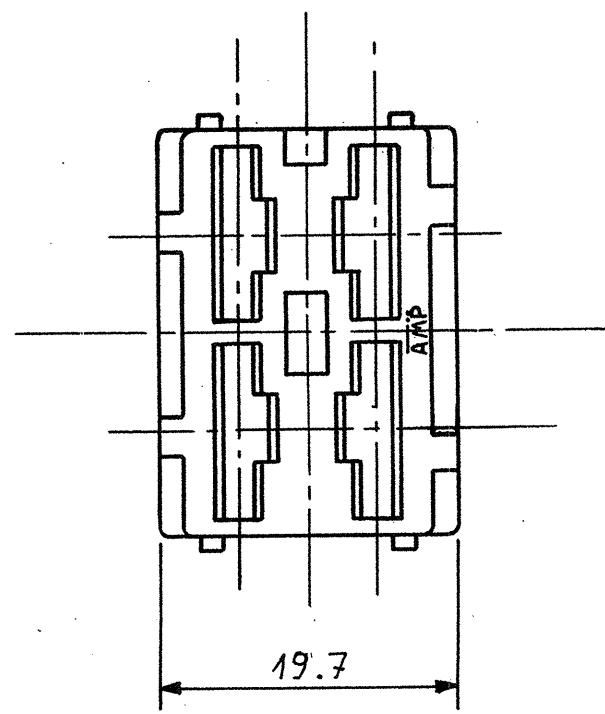


SCALA NON IMPEGNATIVA
(DO NOT SCALE)
DIMENSIONI IN mm
DIMENSIONS IN mm

METRIC

PROIEZIONE EUROPEA
(EUROPEAN PROJECTION)



SEZ. A-A

4 TIPICHE CAVITA' PER
CONTATTI AMP FASTIN-FASTON
SERIE .375"

(TYPICAL CAVITIES SUITABLE
FOR FASTIN-FASTON REC.
TERM. .375" St.)

NATUR (CLEAR)	POLIAMMIDE 6.6 NAT. (PA 6.6 UNFILLED)	280073-0
FINITURA / COLORE (FINISH / COLOUR)	MATERIALE (MATERIAL)	NUMERO (PART NUMBER)
CUSTOMER DWG. FOR REFERENCE ONLY		DISEGNO PER CLIENTE SOLO PER RIFERIMENTO
THIS DRAWING IS UNPUBLISHED		RELEASE FOR PUBLICATION 19
© COPYRIGHT 19 BY AMP INCORPORATED, HARRISBURG, PA ALL INTERNATIONAL RIGHT RESERVED AMP PRODUCTS MAY BE COVERED BY U.S. AND FOREIGN PATENT AND/OR PATENT PENDING.		
TOLLERANZE: SE NON DIVERSAMENTE SPECIFICATO (TOLERANCES UNLESS OTHERWISE SPECIFIED)	DIAM. ISOLANTE (INS. DIA. RANGE)	RANGO FILO (WIRE RANGE)
± 0,4		
ANGOLI (ANGLES) ± 2°	AMP AMP ITALIA S.p.A. Corso F.lli Cervi, 15 COLLEGNO (TORINO)	
DIS. (DR.) C. TARTARI 27-4-71	DESCRIZIONE (DESCRIPTION) 4 WAY FASTIN-ON RECEPTACLE .375 SERIES HOUSING	
CONT. (CHK) F. TREVISIOLO 7-5-71	LOC. SIZE NUMERO (DWG NO)	REV. FOGLIO (SHEET)
APP. (APP.)	IA3 C- 280073	F 1 DI 1

REV.	REVISIONI (REVISION RECORD)	DIS. DATA (DR) (DATE)
F	RIDISEGNATO SENZA VARIAZIONI	COSTA 23-3-71
E	RIVISTO	E.B. 02-3-71
D	ELIMINATA UNA VERTICE PER POLARIZZ.	TREVISIOLO 21-3-71
C	BENESTARE PER LA PRODUZ.	TARTARI 27-4-71

DISTRIBUZIONE
(PRINT DIST.)

X-ON Electronics

Largest Supplier of Electrical and Electronic Components

Click to view similar products for [Terminals](#) category:

Click to view products by [TE Connectivity](#) manufacturer:

Other Similar products are found below :

[00-054007-01074-6](#) [00-054007-70206-1](#) [00-054007-70210-8](#) [00-054007-70217-7](#) [00-054007-70226-9](#) [00-054007-70228-3](#) [00-054007-70248-1](#) [00-054007-70256-6](#) [00-054007-70301-3](#) [00-054007-70316-7](#) [00-054007-49560-4](#) [00-054007-70209-2](#) [00-054007-70225-2](#) [00-054007-70227-6](#) [00-054007-70231-3](#) [00-054007-70241-2](#) [00-054007-70242-9](#) [00-054007-70244-3](#) [00-054007-70246-7](#) [00-054007-70263-4](#) [00-054007-70288-7](#) [00-054007-70290-0](#) [00-054007-70300-6](#) [00-054007-70304-4](#) [01-2065-1-0216](#) [01-2900-1-04412](#) [00581P0075](#) [600TS-10](#) [60205-1](#) [604200-1](#) [605601-1](#) [60598-1-CUT-TAPE](#) [61314-6-C](#) [61810-3](#) [61-S](#) [61-SN](#) [626-0194](#) [62-NBM-A](#) [62-SN](#) [62-SP](#) [63-S](#) [640179-1](#) [M55155/059I03](#) [M55155/079C01](#) [M55155/099H02](#) [M55155/109H01](#) [M55155/109H02](#) [M55155/12XH05](#) [M55155/16XH02](#) [M55155/29-5S](#)