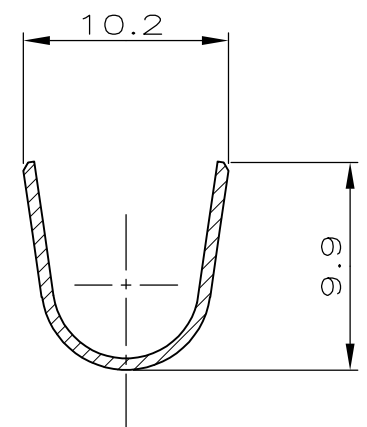
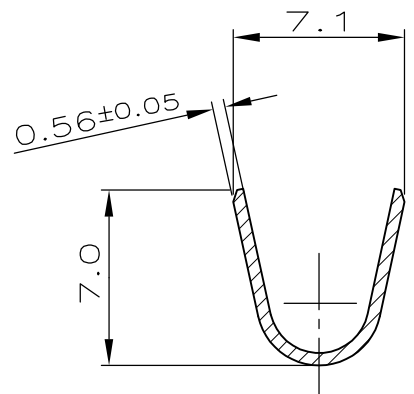


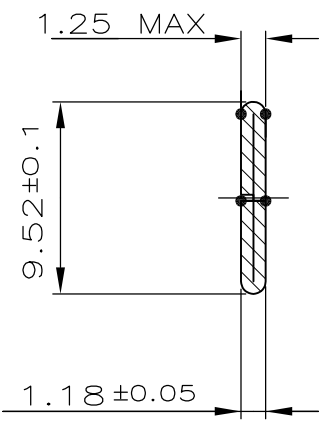
SEZIONE C-C
(SECTION C-C)



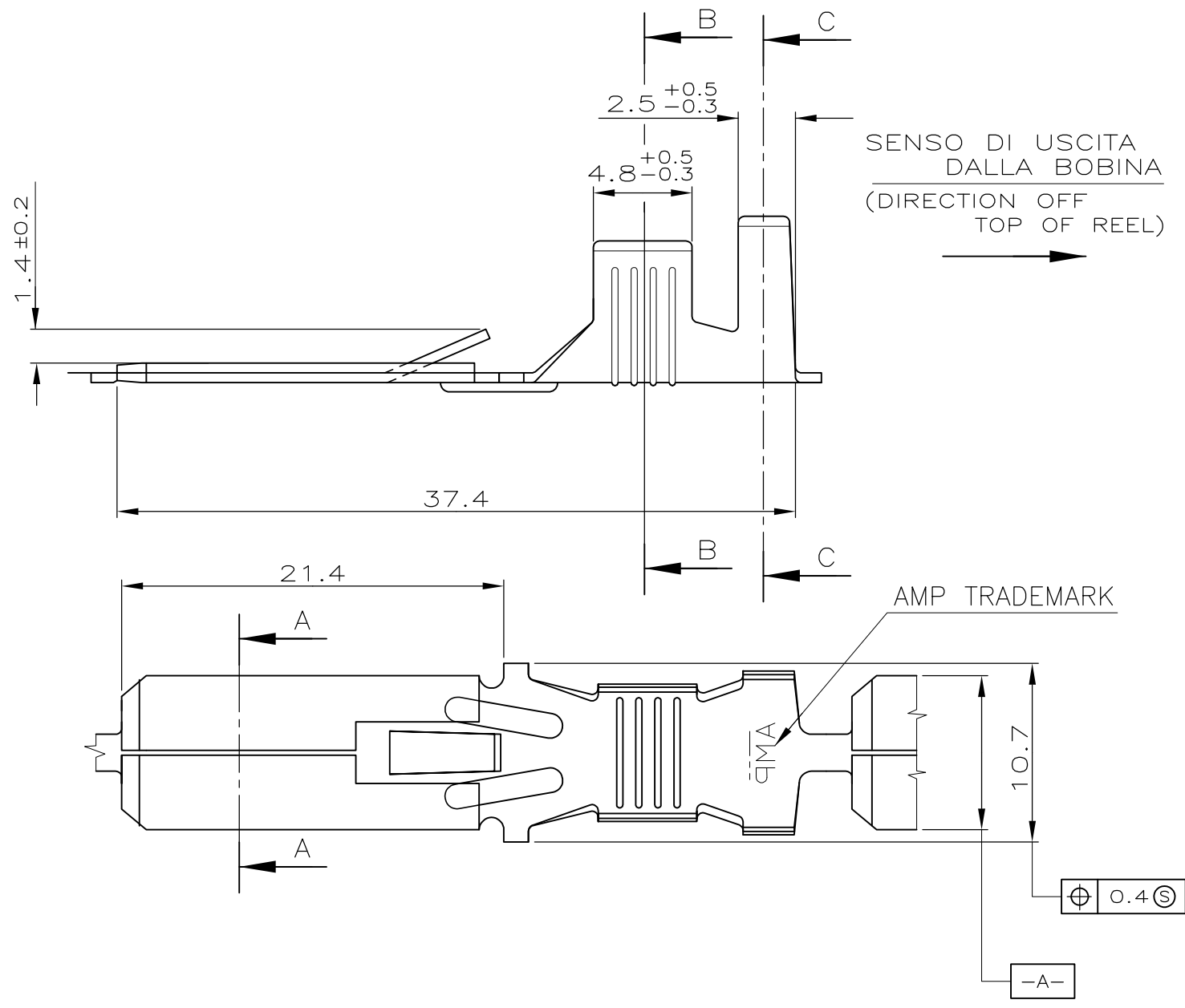
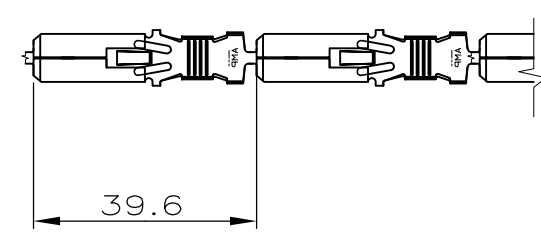
SEZIONE B-B
(SECTION B-B)



SEZIONE A-A
(SECTION A-A)



STATO DI FORNITURA -SCALA 1:1
(SUPPLYING CONDITION -SCALE 1:1-)



PRE STAGNATO (PRE-TIN PL)	OTTONE (BRASS)	280074-2	N
NUDO (UNPLATED)	OTTONE (BRASS)	280074-1	M
FINITURA / COLORE (FINISH / COLOUR)	MATERIALE (MATERIAL)	NUMERO (P/N)	REV

2 OBSOLETE

CUSTOMER DWG. FOR REFERENCE ONLY DISEGNO PER CLIENTE SOLO PER RIFERIMENTO

THIS DRAWING IS UNPUBLISHED RELEASE FOR PUBLICATION 19

© COPYRIGHT 19 BY AMP INCORPORATED, HARRISBURG, PA. ALL INTERNATIONAL RIGHT RESERVED. AMP PRODUCTS MAY BE COVERED BY U.S. AND FOREIGN PATENT AND/OR PATENT PENDING

N1	REV PER ECO-09-021826	KK AEG	03SEP 09	TOLLERANZE: SE NON DIVERSAMENTE SPECIFICATO (TOLERANCES: UNLESS OTHERWISE SPECIFIED)	DIAM. ISOLANTE (INS. DIA. RANGE)	RANGO FILO (WIRE RANGE)	SCALA (SCALE)	
N	REVISED, ET00-0152-01	H.Y	22 APR 2002	± 0.3	5.0-7.0 mm	6-10 mm ²	-	
M1	REVISED, ET00-0126-01	R.F	15 MAY 2001	ANGOLI (ANGLES) ± 2°	AMP AMP ITALIA S.p.A. Corso F.lli Cervi, 15 COLLEGNO (TORINO)			
M	REVISED PER ET00-0289-99	R.F	08-10 '99	DIS. 07 AUG 97 (DR.) A. FROLA				
L	REVISED PER ET00-0319-97	A.F	05-9 '97	DIS. 08 AUG 97 (CHK) G. TURCO	DESCRIZIONE (DESCRIPTION) FASTIN-FASTON Connector, .375"sr TAB TERMINAL			
F	REVISED PER ET00-0240-96	A.F	13-5 '96	APP. (APP.)	LOC. SIZE	NUMERO (DWG NO)	REV.	FOLGIO (SHEET) DI (OF)
E	REVISED	E.B	15-13-5 '88		A3	C-280074	N1	1 (OF) 1
D	ADDED ...-3 AND ...-4	M.M	08-82					
REV. (REV. LTR.)	REVISIONI (REVISION RECORD)	DIS. DATA (DR) (DATE)						

- 1) REELED ON 12" DIA. CARTON REEL WITH INTERLEAVE PAPER.
- 2** OBSOLETE PARTS: OBSOLETE CIS STREAMLINING PER D.RENAUD/D.SINISI

DISTRIBUZIONE (PRINT. DIST.)

X-ON Electronics

Largest Supplier of Electrical and Electronic Components

Click to view similar products for [Terminals](#) category:

Click to view products by [TE Connectivity](#) manufacturer:

Other Similar products are found below :

[00-054007-01074-6](#) [00-054007-70206-1](#) [00-054007-70210-8](#) [00-054007-70217-7](#) [00-054007-70226-9](#) [00-054007-70228-3](#) [00-054007-70248-1](#) [00-054007-70256-6](#) [00-054007-70301-3](#) [00-054007-70316-7](#) [00-054007-49560-4](#) [00-054007-70209-2](#) [00-054007-70225-2](#) [00-054007-70227-6](#) [00-054007-70231-3](#) [00-054007-70241-2](#) [00-054007-70242-9](#) [00-054007-70244-3](#) [00-054007-70246-7](#) [00-054007-70263-4](#) [00-054007-70288-7](#) [00-054007-70290-0](#) [00-054007-70300-6](#) [00-054007-70304-4](#) [01-2065-1-0216](#) [01-2900-1-04412](#) [00581P0075](#) [600TS-10](#) [60205-1](#) [604200-1](#) [605601-1](#) [60598-1-CUT-TAPE](#) [61314-6-C](#) [61810-3](#) [61-S](#) [61-SN](#) [626-0194](#) [62-NBM-A](#) [62-SN](#) [62-SP](#) [63-S](#) [640179-1](#) [M55155/059I03](#) [M55155/079C01](#) [M55155/099H02](#) [M55155/109H01](#) [M55155/109H02](#) [M55155/12XH05](#) [M55155/16XH02](#) [M55155/29-5S](#)