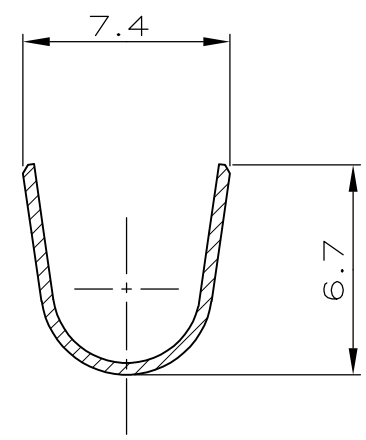
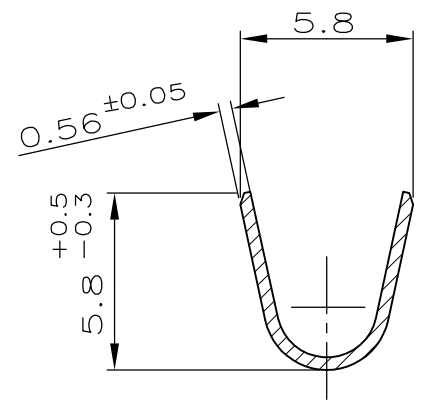


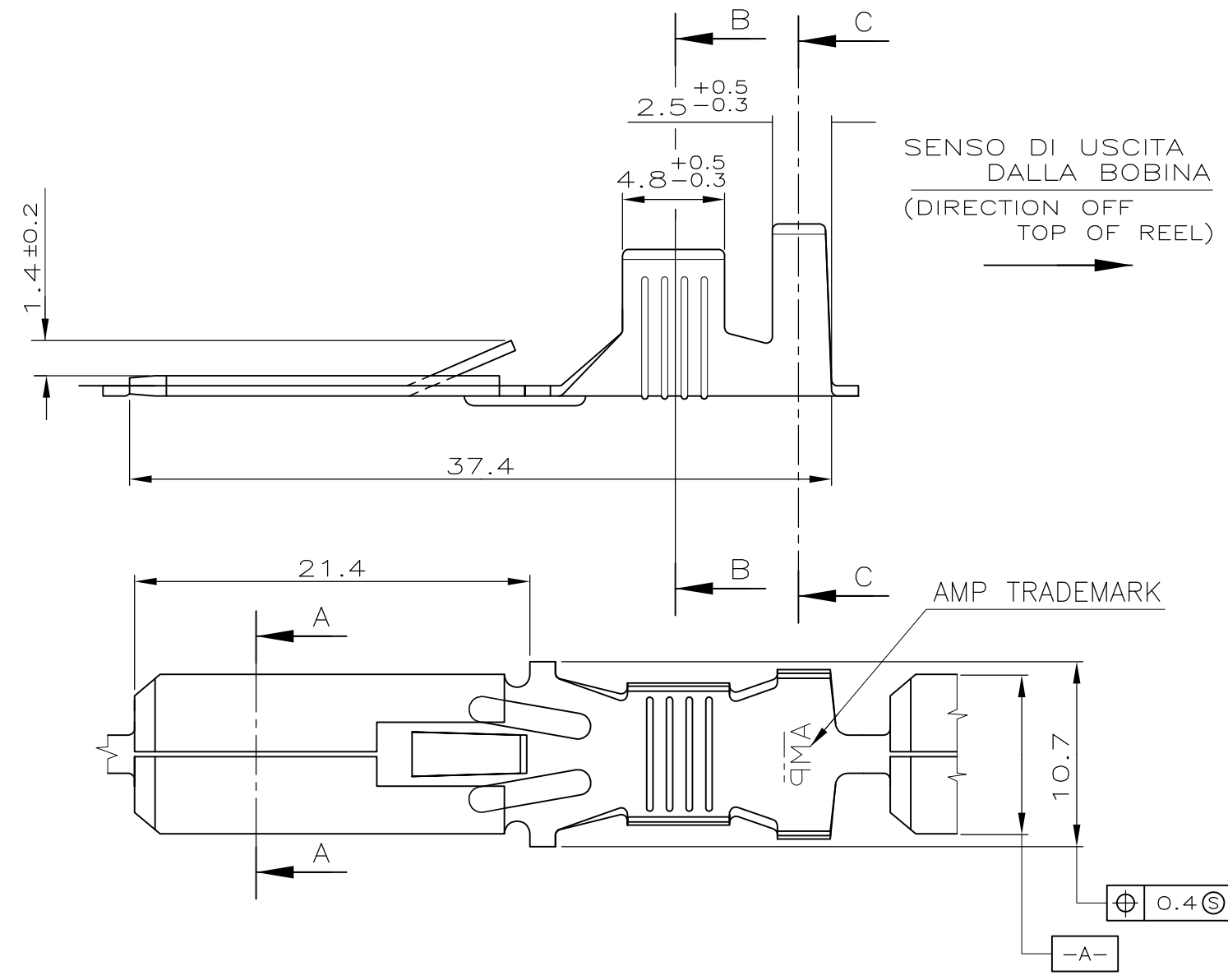
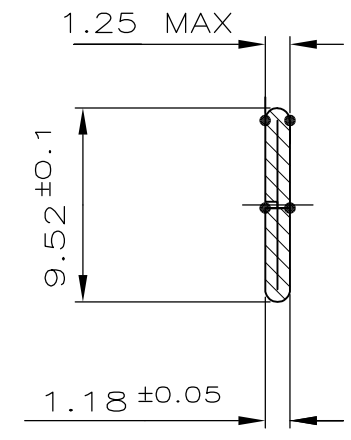
SEZIONE C-C  
(SECTION C-C)



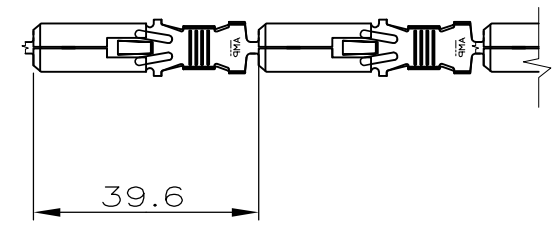
SEZIONE B-B  
(SECTION B-B)



SEZIONE A-A  
(SECTION A-A)



1) STATO DI FORNITURA -SCALA 1:1  
(SUPPLYING CONDITION -SCALE 1:1-)



2) CONFEZIONATO CON CARTA INTERPOSTA SU BOBINA DI CARTONE DIAMETRO 12" (REELED ON 12" DIA CARTON REEL WITH INTERLAYER PAPER)

3) SPECIFICA DI PRODOTTO 108-20020, SPECIFICA DI AGGRAFFATURA 114-20021 (PRODUCT SPEC. 108-20020, APPLICATION SPEC. 114-20021).

4 OBSOLETE PARTS: OBSOLETE CIS STREAMLINING PER D.RENAUD/D.SINISI

SUPERSEDED BY 280075-4	STAGNATO (TIN PLATED)	BRONZO FOSFOROSO (PH. BRONZE)	N	280075-6
SUPERSEDED BY 280075-2	STAGNATO (TIN PLATED)	OTTONE (BRASS)	N	280075-5
	PRE-STAGNATO (PRE-TIN PL)	BRONZO FOSFOROSO (PH. BRONZE)	P	280075-4
	NUDO (UNPLATED)	BRONZO FOSFOROSO (PH. BRONZE)	N	280075-3
	PRE-STAGNATO (PRE-TIN PL)	OTTONE (BRASS)	P	280075-2
	FINITURA / COLORE (FINISH / COLOUR)	MATERIALE (MATERIAL)	REV.	NUMERO (P/N)

4 OBSOLETE

CUSTOMER DWG. FOR REFERENCE ONLY  
 DISEGNO PER CLIENTE SOLO PER RIFERIMENTO

R2	REVISED PER ECO-10-000445	KK	HMR	29 JAN 10	THIS DRAWING IS UNPUBLISHED	RELEASE FOR PUBLICATION	19	
R1	UPDATED			16-03 2009	© COPYRIGHT 19 BY AMP INCORPORATED, HARRISBURG, PA. ALL INTERNATIONAL RIGHT RESERVED. AMP PRODUCTS MAY BE COVERED BY U.S. AND FOREIGN PATENT AND/OR PATENT PENDING			
R	SUPERSEDED PARTS ET00-0136-03	H.Y.	C.T.	25 JUL 2003	TOLLERANZE: SE NON DIVERSAMENTE SPECIFICATO (TOLERANCES: UNLESS OTHERWISE SPECIFIED)	DIAM. ISOLANTE (INS. DIA. RANGE)	RANGO FILO (WIRE RANGE)	SCALA (SCALE)
P	REVISED PER ET00-0152-01	H.Y.	C.T.	22 APR 2002	± 0.3	3.4-5.1 mm	3-6 mm <sup>2</sup>	-
N3	REVISED PER EC ET00-0126-01	R.F.	C.T.	15 MAY 2001	ANGOLI (ANGLES)	AMP AMP ITALIA S.p.A. Corso F.lli Cervi, 15 COLLEGNO (TORINO)		
N2	REVISED PER EC ET00-0267-00	M.G.	R.M.	13-10 2000	± 2°	DESCRIZIONE (DESCRIPTION) FASTIN-FASTON Connector, .375"sr TAB TERMINAL		
N1	REVISED PER EC ET00-0225-99	M.G.	R.M.	04-5 2000	DIS. (DR.)			
N	REVISED PER EC ET00-0289-99	R.F.	C.T.	8-10 '99	CONT. (CHK)	14 SEPT 99		
M1	RELEASED FOR PROD. -5 & -6 PER EC ET00-0191-99	H.Y.	C.T.	01-6 '99	14 SEPT 99			
M	ADDED P/N-6, PER EC ET00-0353-98	C.T.	C.T.	3-12 '98	APP. (APP.)	14 SEPT 99		
REV. (REV. LTR.)	REVISIONI (REVISION RECORD)	DIS. (DR.)	CONTR. (CHK)	DATA (DATE)				
					LOC. SIZE	NUMERO (DWG NO)	REV.	FOLGIO (SHEET)
					A3	C-280075	R2	1 (OF) 1

DISTRIBUZIONE (PRINT. DIST.)

## X-ON Electronics

Largest Supplier of Electrical and Electronic Components

*Click to view similar products for [Terminals](#) category:*

*Click to view products by [TE Connectivity](#) manufacturer:*

Other Similar products are found below :

[00-054007-01074-6](#) [00-054007-70206-1](#) [00-054007-70210-8](#) [00-054007-70217-7](#) [00-054007-70226-9](#) [00-054007-70228-3](#) [00-054007-70248-1](#) [00-054007-70256-6](#) [00-054007-70301-3](#) [00-054007-70316-7](#) [00-054007-49560-4](#) [00-054007-70209-2](#) [00-054007-70225-2](#) [00-054007-70227-6](#) [00-054007-70231-3](#) [00-054007-70241-2](#) [00-054007-70242-9](#) [00-054007-70244-3](#) [00-054007-70246-7](#) [00-054007-70263-4](#) [00-054007-70288-7](#) [00-054007-70290-0](#) [00-054007-70300-6](#) [00-054007-70304-4](#) [01-2065-1-0216](#) [01-2900-1-04412](#) [00581P0075](#) [600TS-10](#) [60205-1](#) [604200-1](#) [605601-1](#) [60598-1-CUT-TAPE](#) [61314-6-C](#) [61810-3](#) [61-S](#) [61-SN](#) [626-0194](#) [62-NBM-A](#) [62-SN](#) [62-SP](#) [63-S](#) [640179-1](#) [M55155/059I03](#) [M55155/079C01](#) [M55155/099H02](#) [M55155/109H01](#) [M55155/109H02](#) [M55155/12XH05](#) [M55155/16XH02](#) [M55155/29-5S](#)