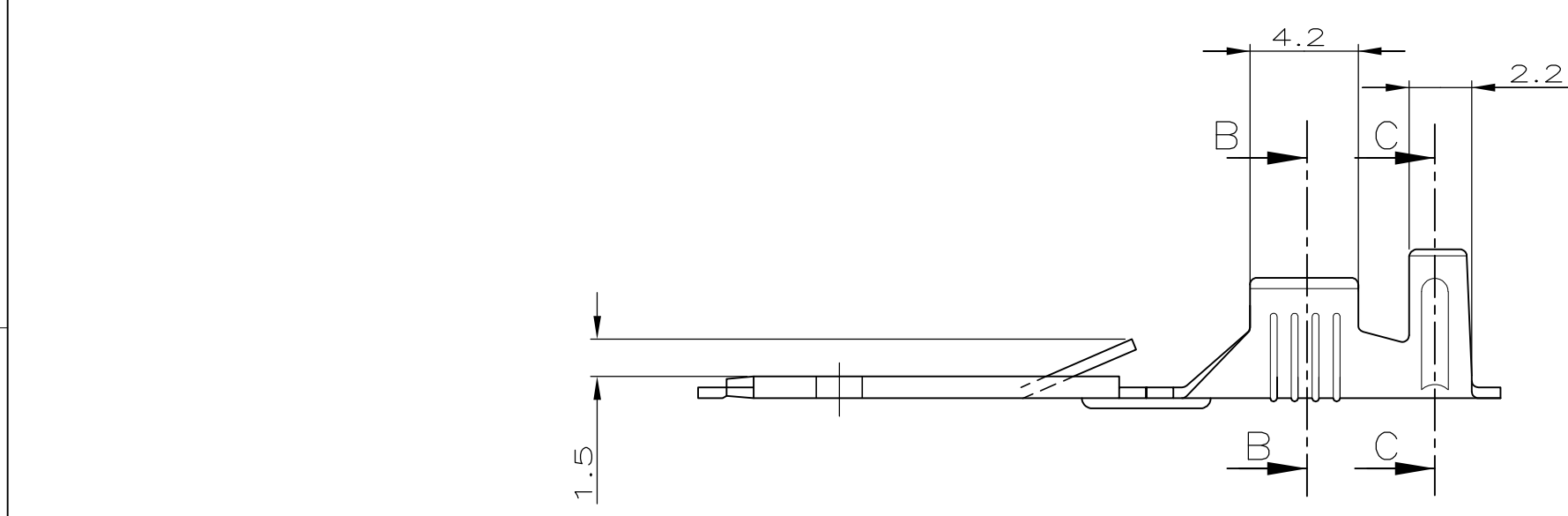
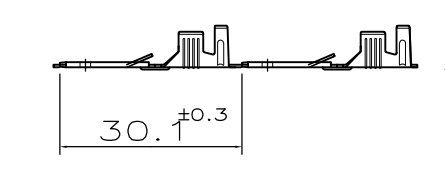


THIS DRAWING IS UNPUBLISHED. RELEASED FOR PUBLICATION
 © COPYRIGHT - By - ALL RIGHTS RESERVED.

LOC	DIST	REVISIONS			
P	LTR	DESCRIPTION	DATE	DWN	APVD
	AA	CHANGED PACK. ET00-0010-05	21JAN2005	H.Y.	-
	AA1	REV PER ECO-09-021510	03SEP09	KK	AEG
	AA2	ECR-10-022530	07JAN11	KK	HMR



1) STATO DI FORNITURA (SCALA 1:1)
 (SUPPLY CONDITION, Scale 1:1)

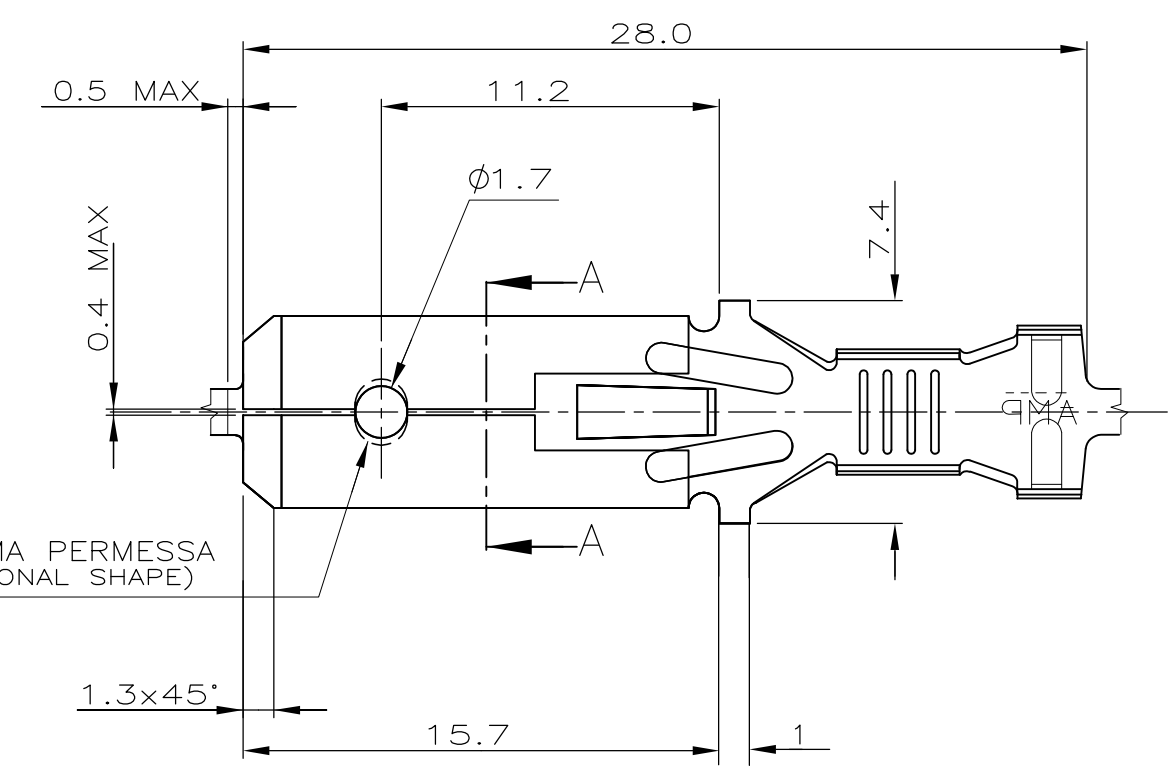
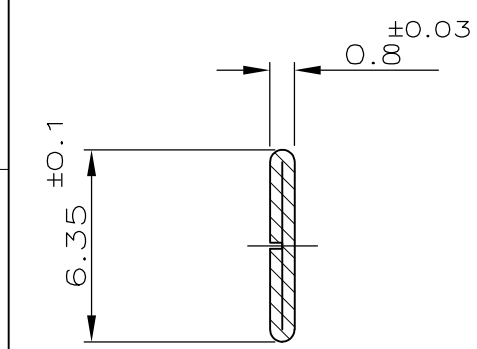


SENSO DI USCITA DEL TERMINALE DALLA BOBINA
 (DIRECTION OFF TOP OF REEL)

2) SPECIFICA DI PRODOTTO : 108-20020
 (PRODUCT SPECIFICATION : 108-20020)

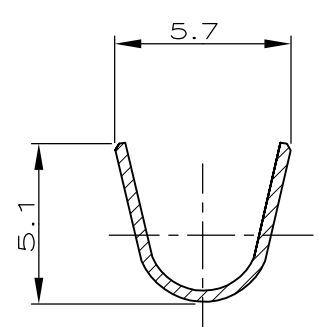
- 3 BOBINATO SU BOBINA 10"1/2 CON CARTA INTERPOSTA
 (REELED ON 10"1/2 CARTON TYPE REEL WITH INTERLEAVE PAPER STRIP)
- 4 BOBINATO SU BOBINA 12" CON CARTA INTERPOSTA
 (REELED ON 12" CARTON TYPE REEL WITH INTERLEAVE PAPER STRIP)
- 5 BOBINATO SU BOBINA 10"1/2
 (REELED ON 10"1/2 CARTON TYPE REEL)
- 6 OBSOLETE PARTS: OBSOLETE CIS STREAMLINING PER D.RENAUD/D.SINISI
- 7 OBSOLETE

SEZIONE A-A
 (SECTION A-A)

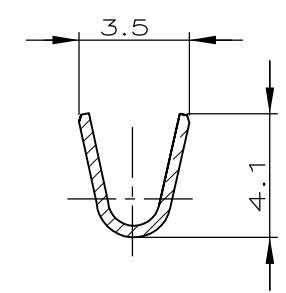


FORMA PERMESSA (OPTIONAL SHAPE)

SEZIONE C-C
 (SECTION C-C)



SEZIONE B-B
 (SECTION B-B)



NOTE (NOTES)	FINITURA (FINISH)	MATERIALE (MATERIAL)	NUMERO (TE P/N)	REV
4	PRE-STAGNATO (PRE-TIN PLATED)	OTTONE (BRASS)	4-280081-2	AA
3	NUDO (UNPLATED)	OTTONE (BRASS)	1-280081-1	Z
4	ARGENTATO (SILVER PLATED)	OTTONE (BRASS)	4-280081-0	Z
3	STAGNATO (TINPLATED)	OTTONE (BRASS)	280081-9	Z
4	NUDO (UNPLATED)	OTTONE (BRASS)	280081-8	Z
3	STAGNATO (TINPLATED)	BRONZO FOSF.(PH.BRONZE)	280081-7	Z
3	STAGNATO (TINPLATED)	OTTONE (BRASS)	280081-6	Z
3	STAGNATO (TINPLATED)	BRONZO FOSF.(PH.BRONZE)	280081-4	Z
4	NUDO (UNPLATED)	BRONZO FOSF.(PH.BRONZE)	280081-3	Z
4	STAGNATO (TINPLATED)	OTTONE (BRASS)	280081-2	Z
5	NUDO (UNPLATED)	OTTONE (BRASS)	280081-1	Z

DIAM. ISOLANTE (INS. DIA. RANGE) Ø4 mm.MAX	RANGO FILO (WIRE RANGE) 0.8-2.5mm ²
---	---

THIS DRAWING IS A CONTROLLED DOCUMENT.

DIMENSIONS: mm	TOLERANCES UNLESS OTHERWISE SPECIFIED: ±0.3
0 PLC ± -	1 PLC ± -
2 PLC ± -	3 PLC ± -
4 PLC ± -	ANGLES ± 2'

MATERIAL	FINISH
-	-

DWN R.FABRIS	01-FEB-00	STE TE Connectivity	
CHK -	-		
APVD -	-	NAME	
PRODUCT SPEC -	-	FASTIN-FASTON Conn.,.250"sr. TAB CONTACT	
APPLICATION SPEC -	-	SIZE	CAGE CODE
WEIGHT -	-	A3	00779
CUSTOMER DRAWING		DRAWING NO	RESTRICTED TO
		C-280081	-
SCALE	SHEET	REV	
4:1	1 OF 1	AA2	

X-ON Electronics

Largest Supplier of Electrical and Electronic Components

Click to view similar products for [Terminals](#) category:

Click to view products by [TE Connectivity](#) manufacturer:

Other Similar products are found below :

[00-054007-01074-6](#) [00-054007-70206-1](#) [00-054007-70210-8](#) [00-054007-70217-7](#) [00-054007-70226-9](#) [00-054007-70228-3](#) [00-054007-70248-1](#) [00-054007-70256-6](#) [00-054007-70301-3](#) [00-054007-70316-7](#) [0-0320562-0](#) [00-054007-49560-4](#) [00-054007-70209-2](#) [00-054007-70225-2](#) [00-054007-70227-6](#) [00-054007-70231-3](#) [00-054007-70241-2](#) [00-054007-70242-9](#) [00-054007-70244-3](#) [00-054007-70246-7](#) [00-054007-70263-4](#) [00-054007-70288-7](#) [00-054007-70290-0](#) [00-054007-70300-6](#) [00-054007-70304-4](#) [01-2065-1-0216](#) [01-2900-1-04412](#) [00581P0075](#) [600TS-10](#) [60205-1](#) [604200-1](#) [605601-1](#) [60598-1-CUT-TAPE](#) [61314-6-C](#) [61810-3](#) [61-S](#) [61-SN](#) [626-0194](#) [62-NBM-A](#) [62-SN](#) [62-SP](#) [63-S](#) [640179-1](#) [M55155/059I03](#) [M55155/079C01](#) [M55155/099H02](#) [M55155/109H01](#) [M55155/109H02](#) [M55155/12XH05](#) [M55155/16XH02](#)