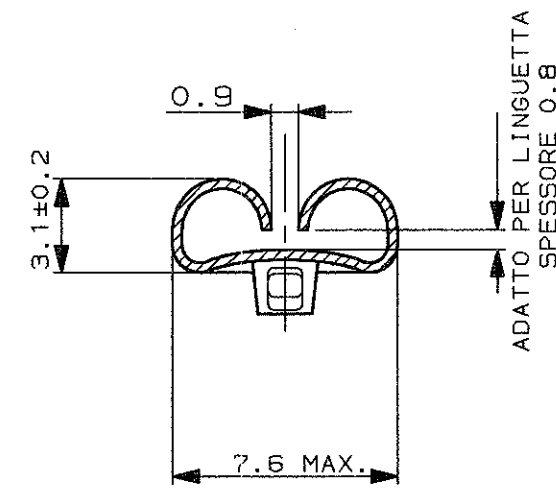
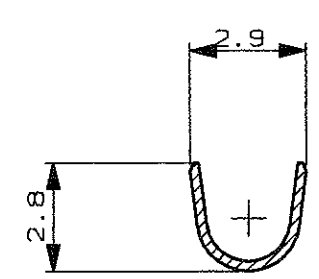


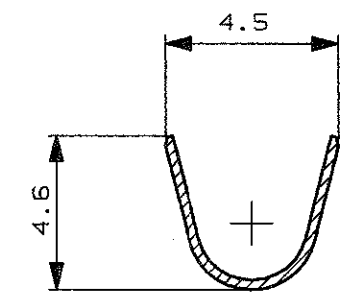
SEZIONE B-B



SEZIONE C-C



SEZIONE D-D



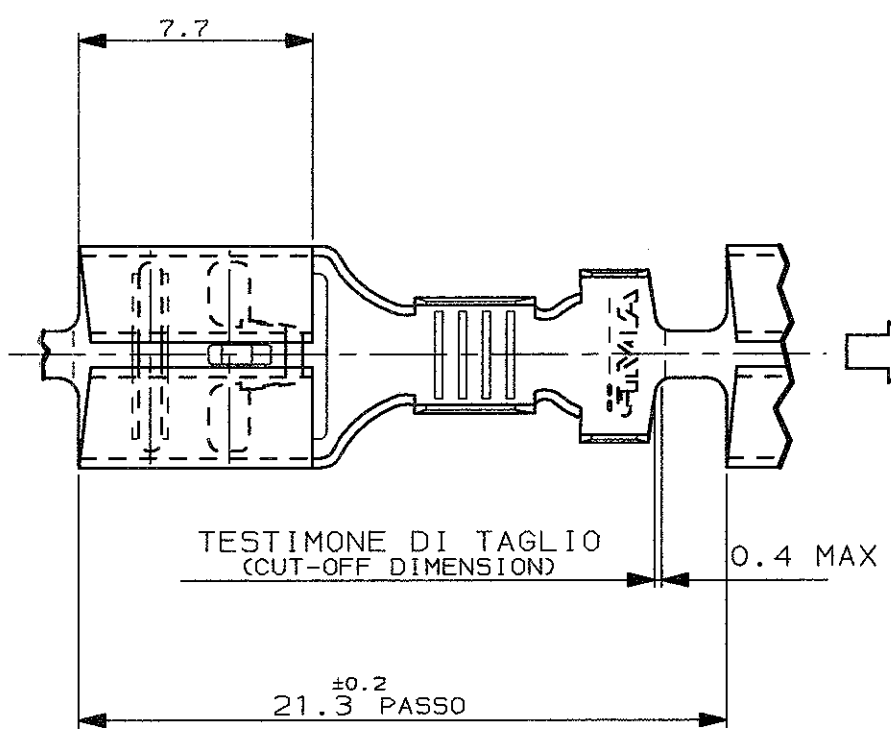
1) SPECIFICA DI PRODOTTO : 108-20020 ; SPECIFICA DI APPLICAZIONE : 114-20021  
(PRODUCT SPEC. : 108-20020 ; APPLICATION SPEC. : 114-20021)

2) BOBINATO SU BOBINA DA 12" IN CARTONE CON CARTA INTERPOSTA  
(CREELED ON 12" CARTON TYPE REEL WITH INTERLAYER PAPER STRIP)

3) NERVATURA DI RINFORZO  
(BEAT IN LOCKING LANCE)

4) ADATTO PER APPLICAZIONI AD ELEVATA FORZA DI ESTRAZIONE  
(SUITABLE FOR HIGH EXTRACTION FORCE APPLICATION)

5) OBSOLETE PARTS: OBSOLETE CIS STREAMLINING PER D.RENAUD/D.SINISI



SENSO DI USCITA DEL TERMINALE DALLA BOBINA  
(DIRECTION OFF TOP OF REEL)

STATO DI FORNITURA -SCALA 1:1



|                                     |              |                      |                      |
|-------------------------------------|--------------|----------------------|----------------------|
| 5 OBSOLETE                          | NUDO         | OTTONE               | 4 280095-6           |
|                                     | NUDO         | BR.FOSFOROSO         | 280095-3             |
| 5 OBSOLETE                          | PRE-STAGNATO | OTTONE               | 2 280095-2           |
|                                     | NUDO         | OTTONE               | 280095-1             |
| FINITURA / COLORE (FINISH / COLOUR) |              | MATERIALE (MATERIAL) | NUMERO (PART NUMBER) |

|  |   |   |                         |
|--|---|---|-------------------------|
| CUSTOMER DWG. FOR REFERENCE ONLY   |   | DISEGNO PER CLIENTE SOLO PER RIFERIMENTO                                  |                         |
| THIS DRAWING IS UNPUBLISHED  |   | RELEASE FOR PUBLICATION 19  |                         |
| © COPYRIGHT 19 BY AMP INCORPORATED, HARRISBURG, PA. ALL INTERNATIONAL RIGHT RESERVED. AMP PRODUCTS MAY BE COVERED BY U.S. AND FOREIGN PATENT AND/OR PATENT PENDING |   |   |                         |
| TOLLERANZE, SE NON DIVERSAMENTE SPECIFICATO (TOLERANCES, UNLESS OTHERWISE SPECIFIED)   |   | DIAM. ISOLANTE (INS. DIA. RANGE)  | RANGO FILO (WIRE RANGE) |
| ± 0.3  |   | DIA 3.3 MAX.  | 0.3-0.8 mm <sup>2</sup> |
| ANGOLI (ANGLES)  |   | SCALA (SCALE)   |                         |
| ± 2°   |   | 4:1   |                         |
| DIS. 6 GIUGNO 91 (DR.) VERGANO P.  |   | DESCRIZIONE (DESCRIPTION) FASTIN-FASTON® Connector, .250"sr. REC. CONTACT |                         |
| P2   | ECO-09-026346                             | KK  | 26NOV 2009              |
| P1   | ACTIVATED DASH 6 ET00-0249-00             | H.Y.  | 22 SEP 2000             |
| P  | CHANGED RAW MAT'L. PACKAGING ET00-0050-00 | R.F.  | 31-05 2000              |
| REV.   | REVISIONI (REVISION RECORD)               | DIS. DATA (DR. DATE)  | APP. DATA (APP. DATE)   |
| LOC. SIZE NUMERO (DWG NO)  |   | REV.  | FOGLIO (SHEET)          |
| I A3 C-280095  |   | P2  | 1 DI (OF) 1             |

DISTRIBUZIONE (PRINT DIST.)

## X-ON Electronics

Largest Supplier of Electrical and Electronic Components

*Click to view similar products for [Terminals](#) category:*

*Click to view products by [TE Connectivity](#) manufacturer:*

Other Similar products are found below :

[00-054007-01074-6](#) [00-054007-70206-1](#) [00-054007-70210-8](#) [00-054007-70217-7](#) [00-054007-70226-9](#) [00-054007-70228-3](#) [00-054007-70248-1](#) [00-054007-70256-6](#) [00-054007-70301-3](#) [00-054007-70316-7](#) [0-0320562-0](#) [00-054007-49560-4](#) [00-054007-70209-2](#) [00-054007-70225-2](#) [00-054007-70227-6](#) [00-054007-70231-3](#) [00-054007-70241-2](#) [00-054007-70242-9](#) [00-054007-70244-3](#) [00-054007-70246-7](#) [00-054007-70263-4](#) [00-054007-70288-7](#) [00-054007-70290-0](#) [00-054007-70300-6](#) [00-054007-70304-4](#) [01-2065-1-0216](#) [01-2900-1-04412](#) [00581P0075](#) [600TS-10](#) [60205-1](#) [604200-1](#) [605601-1](#) [60598-1-CUT-TAPE](#) [61314-6-C](#) [61810-3](#) [61-S](#) [61-SN](#) [626-0194](#) [62-NBM-A](#) [62-SN](#) [62-SP](#) [63-S](#) [640179-1](#) [M55155/059I03](#) [M55155/079C01](#) [M55155/099H02](#) [M55155/109H01](#) [M55155/109H02](#) [M55155/12XH05](#) [M55155/16XH02](#)