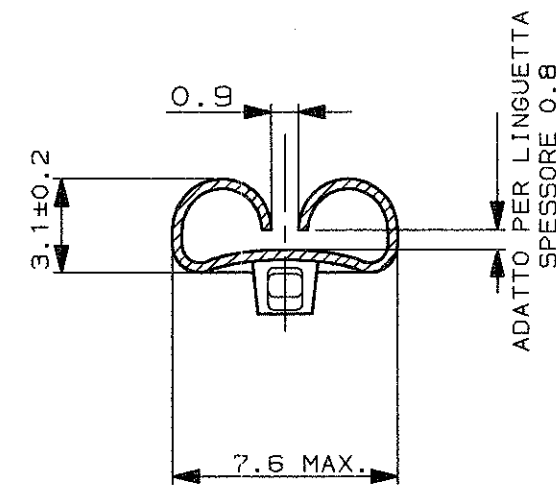
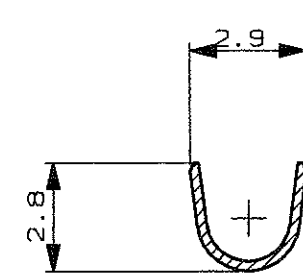


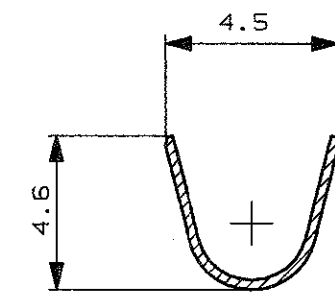
SEZIONE B-B



SEZIONE C-C



SEZIONE D-D



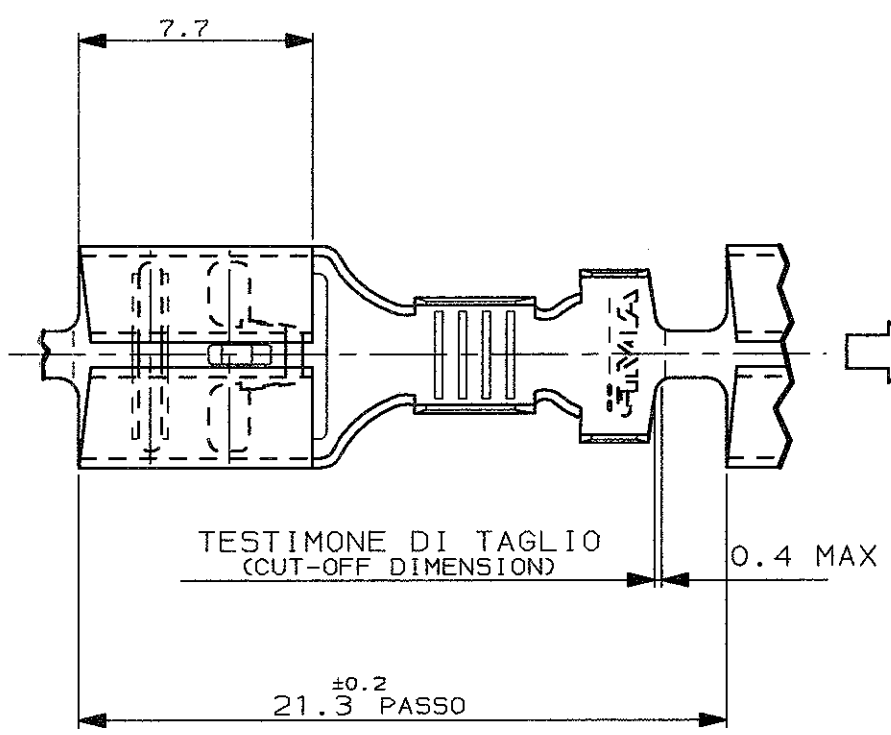
1) SPECIFICA DI PRODOTTO : 108-20020 ; SPECIFICA DI APPLICAZIONE : 114-20021
(PRODUCT SPEC. : 108-20020 ; APPLICATION SPEC. : 114-20021)

2) BOBINATO SU BOBINA DA 12" IN CARTONE CON CARTA INTERPOSTA
(CREELED ON 12" CARTON TYPE REEL WITH INTERLAYER PAPER STRIP)

3) NERVATURA DI RINFORZO
(BEAT IN LOCKING LANCE)

4) ADATTO PER APPLICAZIONI AD ELEVATA FORZA DI ESTRAZIONE
(SUITABLE FOR HIGH EXTRACTION FORCE APPLICATION)

5) OBSOLETE PARTS: OBSOLETE CIS STREAMLINING PER D.RENAUD/D.SINISI



SENDO DI USCITA DEL TERMINALE DALLA BOBINA
(DIRECTION OFF TOP OF REEL)

STATO DI FORNITURA -SCALA 1:1



5 OBSOLETE	NUDO	OTTONE	4 280095-6
	NUDO	BR.FOSFOROSO	280095-3
5 OBSOLETE	PRE-STAGNATO	OTTONE	2 280095-2
	NUDO	OTTONE	280095-1
FINITURA / COLORE (FINISH / COLOUR)		MATERIALE (MATERIAL)	NUMERO (PART NUMBER)

CUSTOMER DWG. FOR REFERENCE ONLY		DISEGNO PER CLIENTE SOLO PER RIFERIMENTO	
THIS DRAWING IS UNPUBLISHED		RELEASE FOR PUBLICATION 19	
© COPYRIGHT 19 BY AMP INCORPORATED, HARRISBURG, PA. ALL INTERNATIONAL RIGHT RESERVED. AMP PRODUCTS MAY BE COVERED BY U.S. AND FOREIGN PATENT AND/OR PATENT PENDING			
TOLLERANZE, SE NON DIVERSAMENTE SPECIFICATO (TOLERANCES, UNLESS OTHERWISE SPECIFIED)		DIAM. ISOLANTE (INS. DIA. RANGE)	RANGO FILO (WIRE RANGE)
± 0.3		DIA 3.3 MAX.	0.3-0.8 mm ²
ANGOLI (ANGLES)		SCALA (SCALE)	
± 2°		4:1	
DIS. 6 GIUGNO 91 (DR.) VERGANO P.		DESCRIZIONE (DESCRIPTION)	
P2 ECO-09-026346 KK 26NOV 2009		FASTIN-FASTON® Connector, .250"sr. REC. CONTACT	
P1 ACTIVATED DASH 6 ET00-0249-00	H.Y. 22 SEP 2000	LOC. SIZE NUMERO (DWG NO)	REV. FOGLIO (SHEET)
P CHANGED RAW MAT'L. PACKAGING ET00-0050-00	R.F. 31-05 2000	I A3 C-280095	P2 1 DI 1
REV. REVISIONI (REVISION RECORD)	DIS. DATA (DR) (DATE)		

DISTRIBUZIONE
(PRINT DIST.)

X-ON Electronics

Largest Supplier of Electrical and Electronic Components

Click to view similar products for [Terminals](#) category:

Click to view products by [TE Connectivity](#) manufacturer:

Other Similar products are found below :

[00-054007-01074-6](#) [00-054007-70206-1](#) [00-054007-70210-8](#) [00-054007-70217-7](#) [00-054007-70226-9](#) [00-054007-70228-3](#) [00-054007-70248-1](#) [00-054007-70256-6](#) [00-054007-70301-3](#) [00-054007-70316-7](#) [0-0320562-0](#) [00-054007-49560-4](#) [00-054007-70209-2](#) [00-054007-70225-2](#) [00-054007-70227-6](#) [00-054007-70231-3](#) [00-054007-70241-2](#) [00-054007-70242-9](#) [00-054007-70244-3](#) [00-054007-70246-7](#) [00-054007-70263-4](#) [00-054007-70288-7](#) [00-054007-70290-0](#) [00-054007-70300-6](#) [00-054007-70304-4](#) [01-2065-1-0216](#) [01-2900-1-04412](#) [00581P0075](#) [600TS-10](#) [60205-1](#) [604200-1](#) [605601-1](#) [60598-1-CUT-TAPE](#) [61314-6-C](#) [61810-3](#) [61-S](#) [61-SN](#) [626-0194](#) [62-NBM-A](#) [62-SN](#) [62-SP](#) [63-S](#) [640179-1](#) [M55155/059I03](#) [M55155/079C01](#) [M55155/099H02](#) [M55155/109H01](#) [M55155/109H02](#) [M55155/12XH05](#) [M55155/16XH02](#)