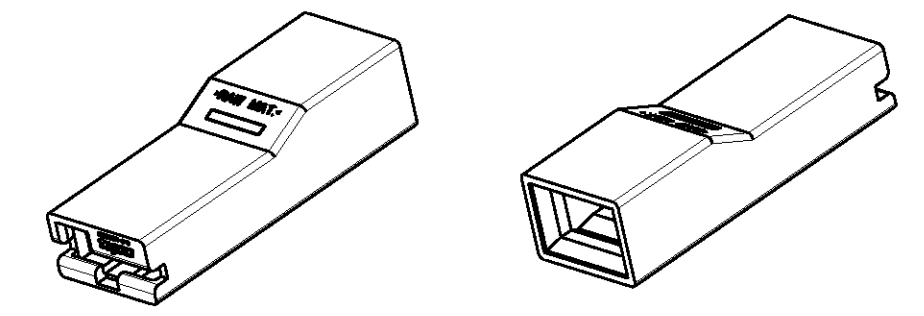
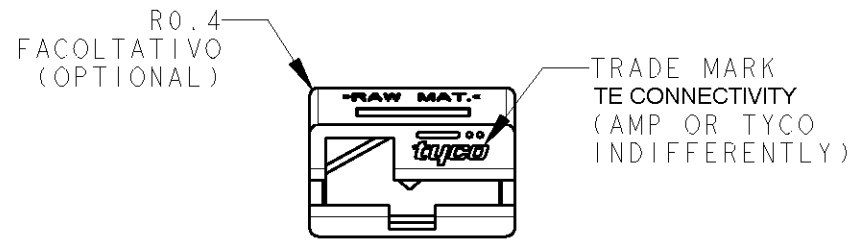
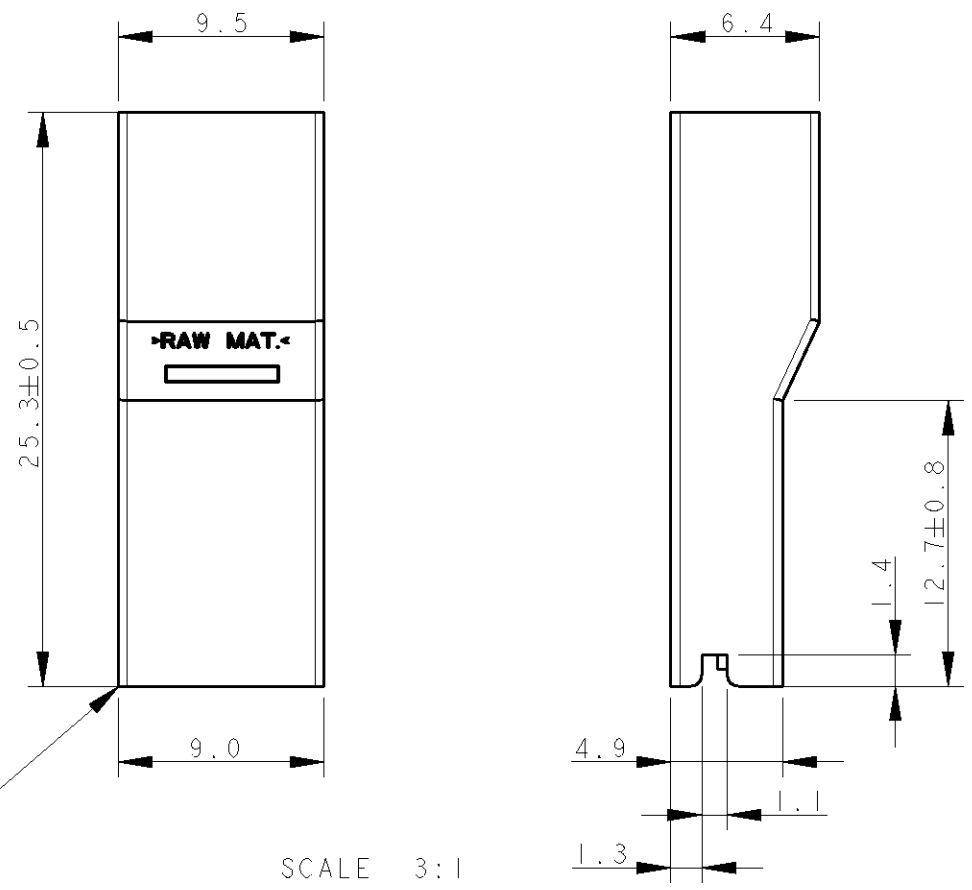


THIS DRAWING IS UNPUBLISHED. RELEASED FOR PUBLICATION  
 © COPYRIGHT ALL RIGHTS RESERVED.

| LOC | DIST | REVISIONS |     |                           |         |     |      |
|-----|------|-----------|-----|---------------------------|---------|-----|------|
|     |      | P         | LTR | DESCRIPTION               | DATE    | DWN | APVD |
| 1   | -    | W2        |     | REVISED PER ECO-11-005140 | 01APR11 | RK  | HMR  |



SCALE 2:1



SCALE 3:1

- 1 BLOCCHETTO ADATTO PER TERMINALI FEMMINA PER LA SERIE 6.3 mm FASTON CON RANGO FILO DA 0.8-2.5 MM2. (SUITABLE FOR RECEPTACLE TERMINALS WITH WIRE RANGE 0.8-2.5 mm2).
- 2 BAVA ACCETTABILE: 0.3 MAX (FLASH PERMISSIBLE: 0.3 MAX.)
- 3 SPECIFICA DI PRODOTTO: 108-20035 (PRODUCT SPEC.: 108-20035)
- 4 NON ANCORA RILASCIATO IN PRODUZIONE (NOT YET RELEASED FOR PRODUCTION)

| NOTE  | COLORE (COLOUR)    | MATERIALE (MATERIAL)                                   | PART NUMBER | REV |
|-------|--------------------|--|-------------|-----|
| 1,2,3 | NATURALE (NATURAL) | PA 6 UNFILLED, UL 94-V2 IEC 60335-1, GW 750°C NO FLAME | 280232-8    | W   |
| 1,2,3 | NATURALE (NATURAL) | PA 6.6 UL 94-V0 (PA 6.6 UL 94-V0 UNFILLED)             | 280232-6    | U   |
| 1,2,3 | NERO (BLACK)       | PA 6.6 (PA 6.6 UNFILLED)                               | 280232-5    | U   |
| 1,2,3 | ROSSO (RED)        |  | 280232-1    | U   |
| 1,2,3 | NATURALE (NATURAL) |  | 280232-0    | U   |

|                       |  |  |  |   |                 |  |                 |
|-----------------------|--|--|--|---|-----------------|--|-----------------|
| DIMENSIONS:<br>mm<br> |  | TOLERANCES UNLESS OTHERWISE SPECIFIED:<br>0 PLC ±<br>1 PLC ±0.3<br>2 PLC ±<br>3 PLC ±<br>4 PLC ±<br>ANGLES ±2°<br>FINISH - |  | DWN H. YAALI 29OCT2004<br>CHK G. TURCO<br>APVD -<br>PRODUCT SPEC SEE NOTE 3<br>APPLICATION SPEC -<br>WEIGHT - |                 | TE Connectivity<br>NAME<br>POST INSULATION FOR FASTON 6.3 mm series RECEPTACLE CONTACT |                 |
| MATERIAL SEE TABLE    |  | CUSTOMER DRAWING   |  | SIZE A3   | CAGE CODE 00779 | DRAWING NO C=280232  | RESTRICTED TO - |
|                       |  |  |  | SCALE 3:1   | SHEET 1         | OF 1   | REV W2          |

## X-ON Electronics

Largest Supplier of Electrical and Electronic Components

*Click to view similar products for [Terminals](#) category:*

*Click to view products by [TE Connectivity](#) manufacturer:*

Other Similar products are found below :

[00-054007-01074-6](#) [00-054007-70206-1](#) [00-054007-70210-8](#) [00-054007-70217-7](#) [00-054007-70226-9](#) [00-054007-70228-3](#) [00-054007-70248-1](#) [00-054007-70256-6](#) [00-054007-70301-3](#) [00-054007-70316-7](#) [0-0320562-0](#) [00-054007-49560-4](#) [00-054007-70209-2](#) [00-054007-70225-2](#) [00-054007-70227-6](#) [00-054007-70231-3](#) [00-054007-70241-2](#) [00-054007-70242-9](#) [00-054007-70244-3](#) [00-054007-70246-7](#) [00-054007-70263-4](#) [00-054007-70288-7](#) [00-054007-70290-0](#) [00-054007-70300-6](#) [00-054007-70304-4](#) [01-2065-1-0216](#) [01-2900-1-04412](#) [00581P0075](#) [600TS-10](#) [60205-1](#) [604200-1](#) [605601-1](#) [60598-1-CUT-TAPE](#) [61314-6-C](#) [61810-3](#) [61-S](#) [61-SN](#) [626-0194](#) [62-NBM-A](#) [62-SN](#) [62-SP](#) [63-S](#) [640179-1](#) [M55155/059I03](#) [M55155/079C01](#) [M55155/099H02](#) [M55155/109H01](#) [M55155/109H02](#) [M55155/12XH05](#) [M55155/16XH02](#)