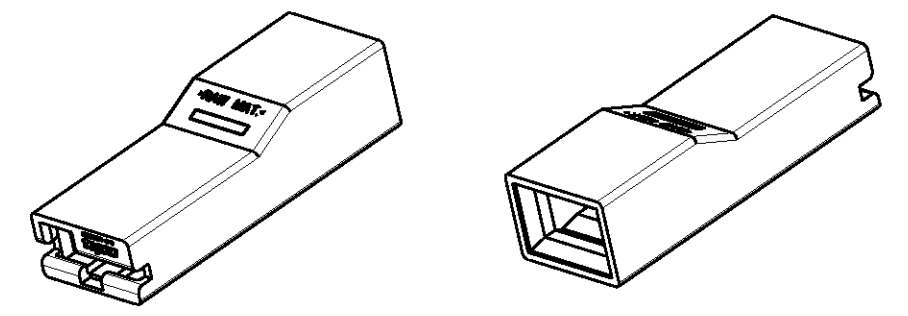
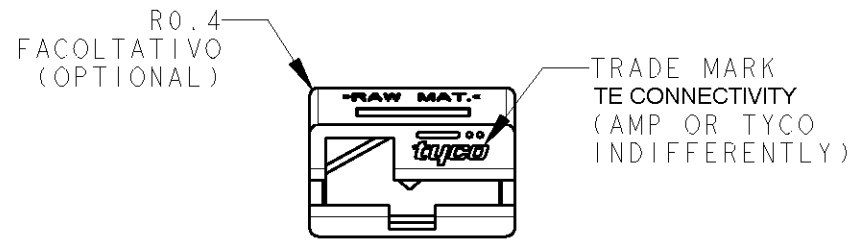
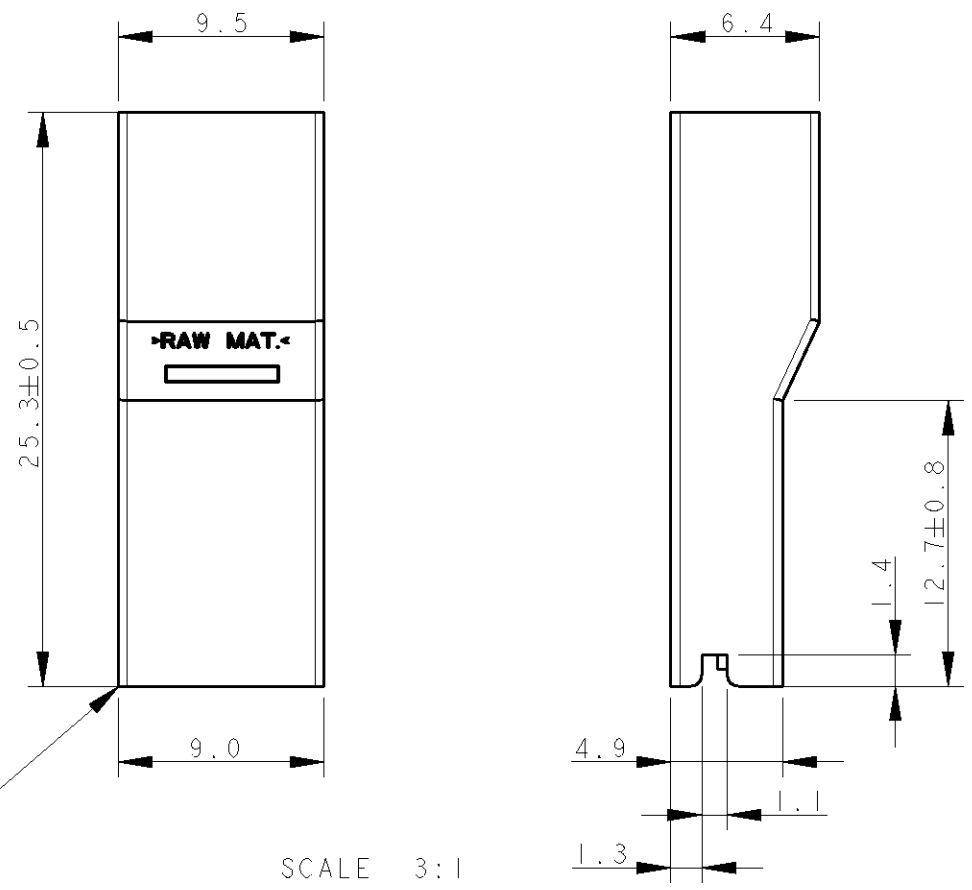


THIS DRAWING IS UNPUBLISHED. RELEASED FOR PUBLICATION
 © COPYRIGHT ALL RIGHTS RESERVED.

LOC	DIST	REVISIONS					
		P	LTR	DESCRIPTION	DATE	DWN	APVD
1	-	W2		REVISED PER ECO-11-005140	01APR11	RK	HMR



SCALE 2:1



SCALE 3:1

- 1 BLOCCHETTO ADATTO PER TERMINALI FEMMINA PER LA SERIE 6.3 mm FASTON CON RANGO FILO DA 0.8-2.5 MM2. (SUITABLE FOR RECEPTACLE TERMINALS WITH WIRE RANGE 0.8-2.5 mm2).
- 2 BAVA ACCETTABILE: 0.3 MAX (FLASH PERMISSIBLE: 0.3 MAX.)
- 3 SPECIFICA DI PRODOTTO: 108-20035 (PRODUCT SPEC.: 108-20035)
- 4 NON ANCORA RILASCIATO IN PRODUZIONE (NOT YET RELEASED FOR PRODUCTION)

NOTE	COLORE (COLOUR)	MATERIALE (MATERIAL)	PART NUMBER	REV
1,2,3	NATURALE (NATURAL)	PA 6 UNFILLED, UL 94-V2 IEC 60335-1, GW 750°C NO FLAME	280232-8	W
1,2,3	NATURALE (NATURAL)	PA 6.6 UL 94-V0 (PA 6.6 UL 94-V0 UNFILLED)	280232-6	U
1,2,3	NERO (BLACK)	PA 6.6 (PA 6.6 UNFILLED)	280232-5	U
1,2,3	ROSSO (RED)		280232-1	U
1,2,3	NATURALE (NATURAL)		280232-0	U

DIMENSIONS: mm 		TOLERANCES UNLESS OTHERWISE SPECIFIED: 0 PLC ± 1 PLC ±0.3 2 PLC ± 3 PLC ± 4 PLC ± ANGLES ±° FINISH -		DWN H. YAALI 29OCT2004 CHK - G. TURCO APVD - PRODUCT SPEC SEE NOTE 3 APPLICATION SPEC - WEIGHT -		TE Connectivity NAME POST INSULATION FOR FASTON 6.3 mm series RECEPTACLE CONTACT			SIZE A3 CAGE CODE 00779 DRAWING NO C=280232 RESTRICTED TO -	
MATERIAL SEE TABLE				CUSTOMER DRAWING		SCALE 3:1		SHEET 1 OF 1		REV W2

X-ON Electronics

Largest Supplier of Electrical and Electronic Components

Click to view similar products for [Terminals](#) category:

Click to view products by [TE Connectivity](#) manufacturer:

Other Similar products are found below :

[00-054007-01074-6](#) [00-054007-70206-1](#) [00-054007-70210-8](#) [00-054007-70217-7](#) [00-054007-70226-9](#) [00-054007-70228-3](#) [00-054007-70248-1](#) [00-054007-70256-6](#) [00-054007-70301-3](#) [00-054007-70316-7](#) [0-0320562-0](#) [00-054007-49560-4](#) [00-054007-70209-2](#) [00-054007-70225-2](#) [00-054007-70227-6](#) [00-054007-70231-3](#) [00-054007-70241-2](#) [00-054007-70242-9](#) [00-054007-70244-3](#) [00-054007-70246-7](#) [00-054007-70263-4](#) [00-054007-70288-7](#) [00-054007-70290-0](#) [00-054007-70300-6](#) [00-054007-70304-4](#) [01-2065-1-0216](#) [01-2900-1-04412](#) [00581P0075](#) [600TS-10](#) [60205-1](#) [604200-1](#) [605601-1](#) [60598-1-CUT-TAPE](#) [61314-6-C](#) [61810-3](#) [61-S](#) [61-SN](#) [626-0194](#) [62-NBM-A](#) [62-SN](#) [62-SP](#) [63-S](#) [640179-1](#) [M55155/059I03](#) [M55155/079C01](#) [M55155/099H02](#) [M55155/109H01](#) [M55155/109H02](#) [M55155/12XH05](#) [M55155/16XH02](#)