

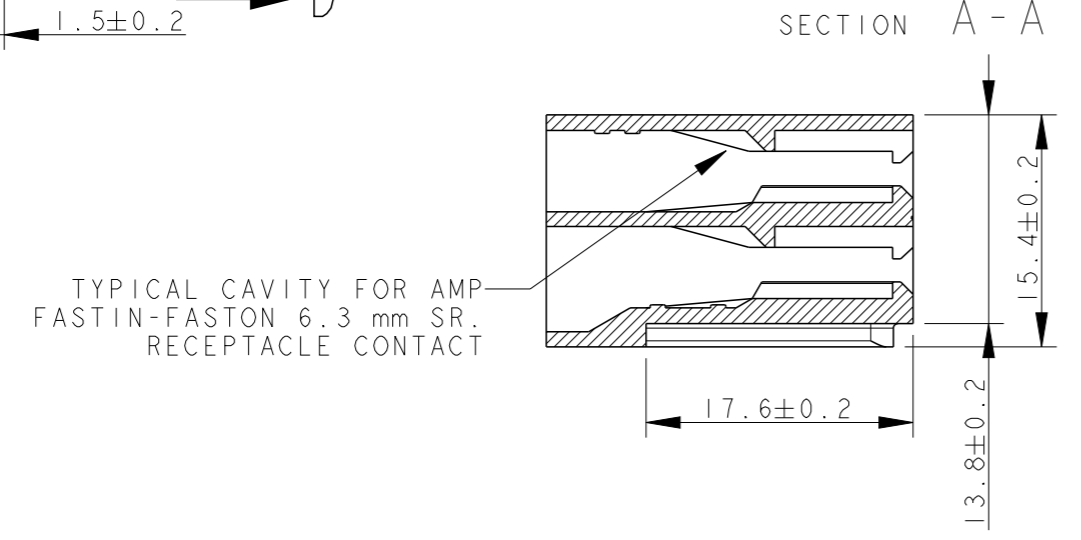
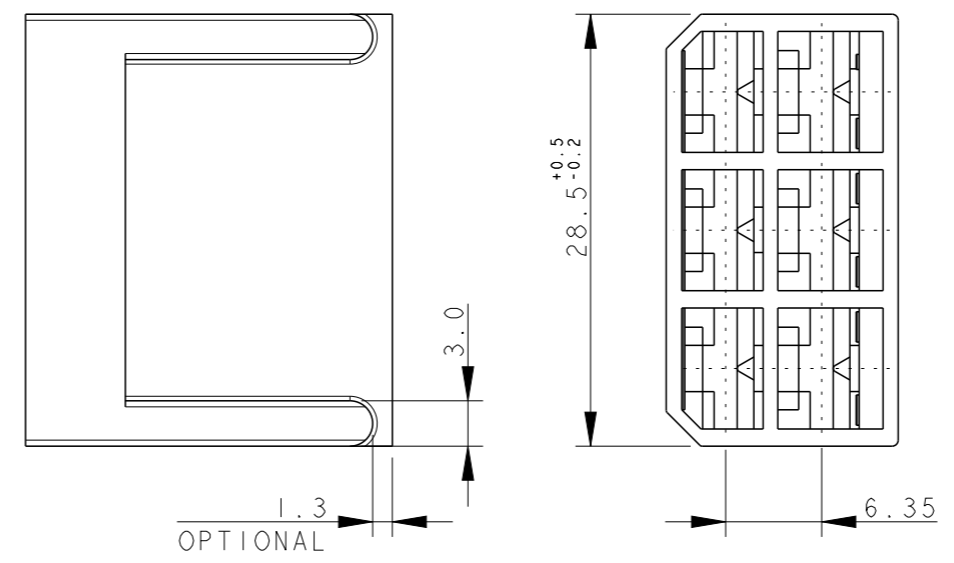
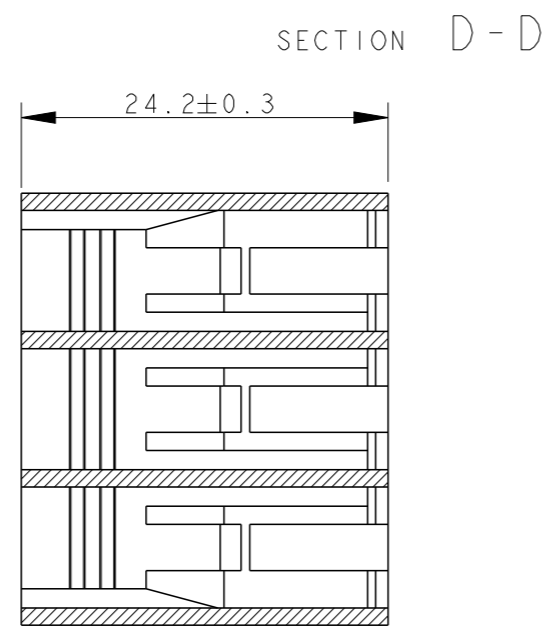
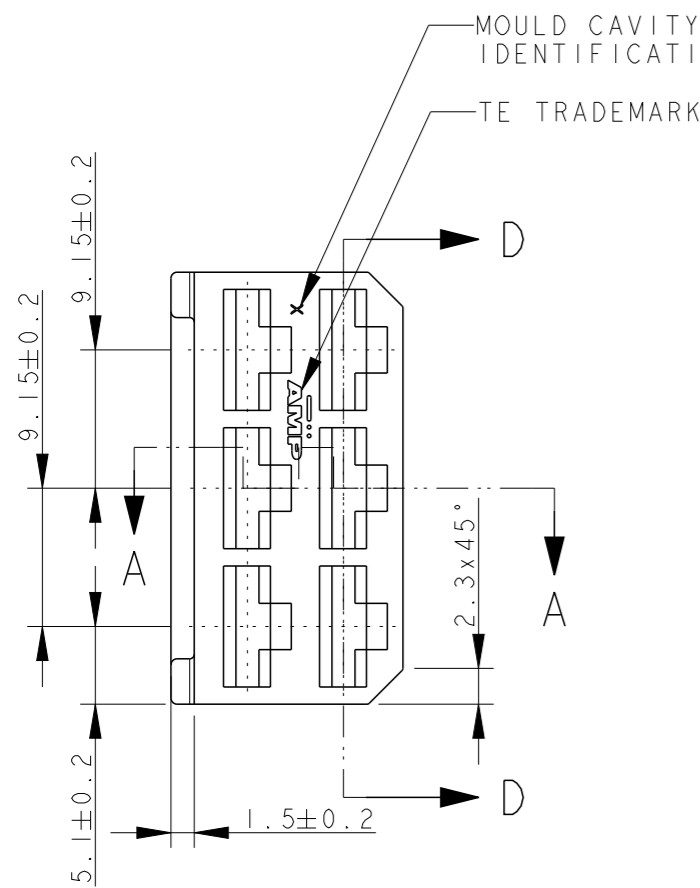
THIS DRAWING IS UNPUBLISHED.

RELEASED FOR PUBLICATION

© COPYRIGHT -

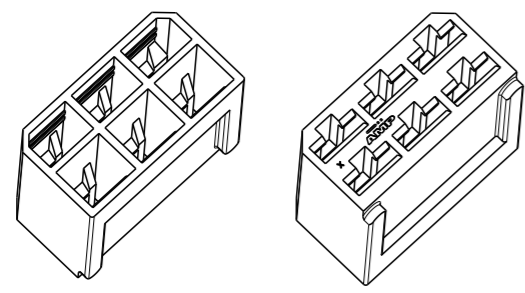
ALL RIGHTS RESERVED.

| LOC | DIST | REVISIONS | | | |
|-----|------|---------------------------|-----------|-----|------|
| P | LTR | DESCRIPTION | DATE | DWN | APVD |
| | L3 | REVISED PER ECO-11-005140 | 16APR2011 | RK | HMR |
| | L4 | ECR-12-019302 | 08NOV2012 | PKS | RRP |
| | | | | | |



- 1 "GLOW WIRE" VERSION.
- 2 SAME AS 0-280314-0 BUT SPECIAL PACKING, ON CARTON BOX, TWO BAG WITH 1000 PIECES ON EACH.
- 3 OBSOLETE PARTS: OBSOLETE CIS STREAMLINING PER D.RENAUD/D.SINISI

| NOTE | COLOUR | MATERIAL | PART NO | REV |
|------|--------|------------------|------------|-----|
| 3 | | PA6.6 UNFILLED | 3-280314-0 | |
| | | PA6.6 ZYTEL 135F | 0-280314-6 | |
| | BLACK | | 0-280314-5 | |
| | RED | PA6.6 UNFILLED | 0-280314-1 | |
| | NATUR | | 0-280314-0 | |



THIS DRAWING IS A CONTROLLED DOCUMENT.

DWN H. YAALI 21JUN2004
CHK G. TURCO
APVD -

PRODUCT SPEC 108-20020
APPLICATION SPEC -

WEIGHT -

Customer Drawing

STE TE Connectivity

NAME FASTIN-FASTON CONNECTOR, 6.3 mm SRS. RECEPTACLE HOUSING 6 POS., WITHOUT EARS

SIZE A3 CAGE CODE 00779 DRAWING NO C-280314 RESTRICTED TO -

SCALE 2:1 SHEET 1 OF 1 REV L4

| DIMENSIONS: | TOLERANCES UNLESS OTHERWISE SPECIFIED: |
|-------------|--|
| mm | |
| 0 PLC | ±- |
| 1 PLC | ±0.3 |
| 2 PLC | ±- |
| 3 PLC | ±- |
| 4 PLC | ±- |
| ANGLES | ±1° |
| FINISH | - |

X-ON Electronics

Largest Supplier of Electrical and Electronic Components

Click to view similar products for [Terminals](#) category:

Click to view products by [TE Connectivity](#) manufacturer:

Other Similar products are found below :

[00-054007-01074-6](#) [00-054007-70206-1](#) [00-054007-70210-8](#) [00-054007-70217-7](#) [00-054007-70226-9](#) [00-054007-70228-3](#) [00-054007-70248-1](#) [00-054007-70256-6](#) [00-054007-70301-3](#) [00-054007-70316-7](#) [00-054007-49560-4](#) [00-054007-70209-2](#) [00-054007-70225-2](#) [00-054007-70227-6](#) [00-054007-70231-3](#) [00-054007-70241-2](#) [00-054007-70242-9](#) [00-054007-70244-3](#) [00-054007-70246-7](#) [00-054007-70263-4](#) [00-054007-70288-7](#) [00-054007-70290-0](#) [00-054007-70300-6](#) [00-054007-70304-4](#) [01-2065-1-0216](#) [01-2900-1-04412](#) [00581P0075](#) [600TS-10](#) [60205-1](#) [604200-1](#) [605601-1](#) [60598-1-CUT-TAPE](#) [61314-6-C](#) [61810-3](#) [61-S](#) [61-SN](#) [626-0194](#) [62-NBM-A](#) [62-SN](#) [62-SP](#) [63-S](#) [640179-1](#) [M55155/059I03](#) [M55155/079C01](#) [M55155/099H02](#) [M55155/109H01](#) [M55155/109H02](#) [M55155/12XH05](#) [M55155/16XH02](#) [M55155/29-5S](#)