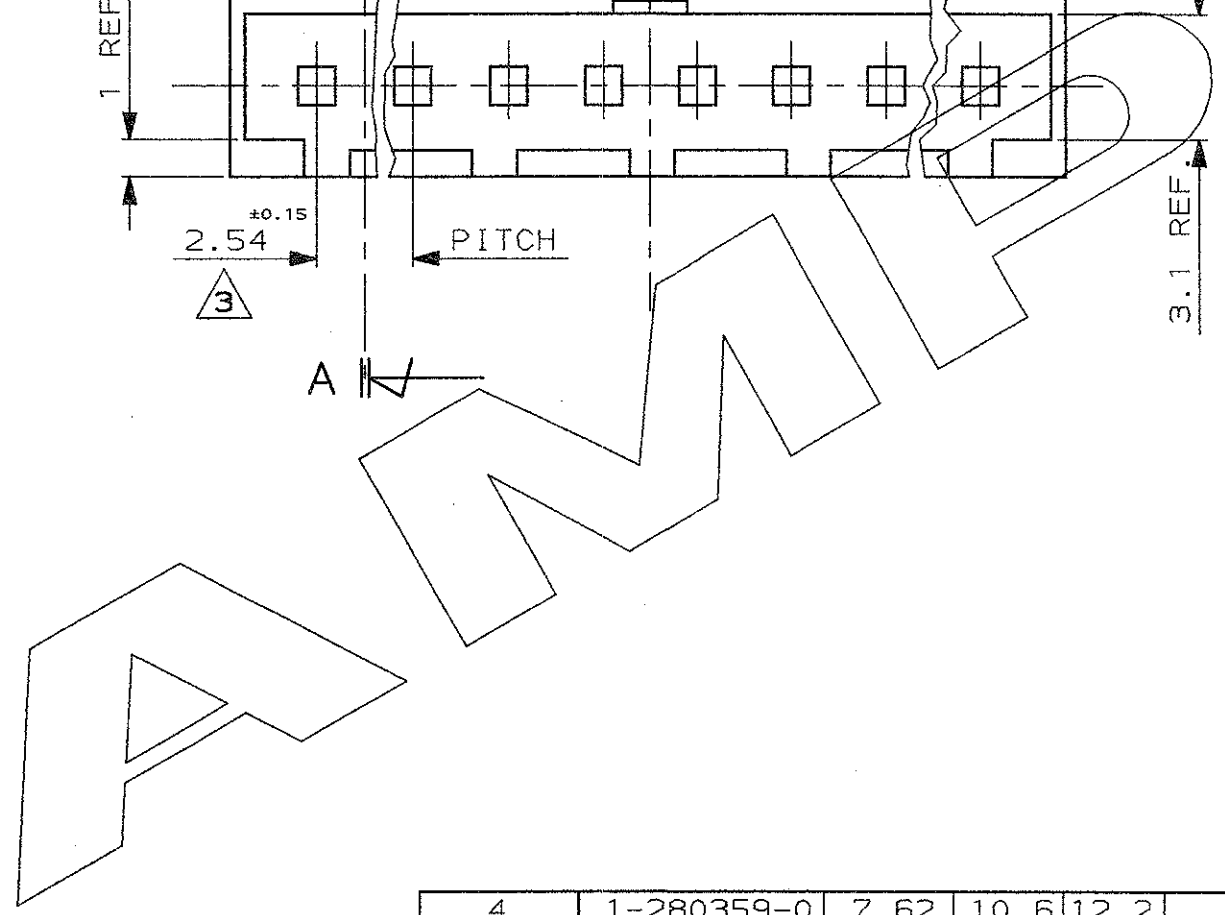
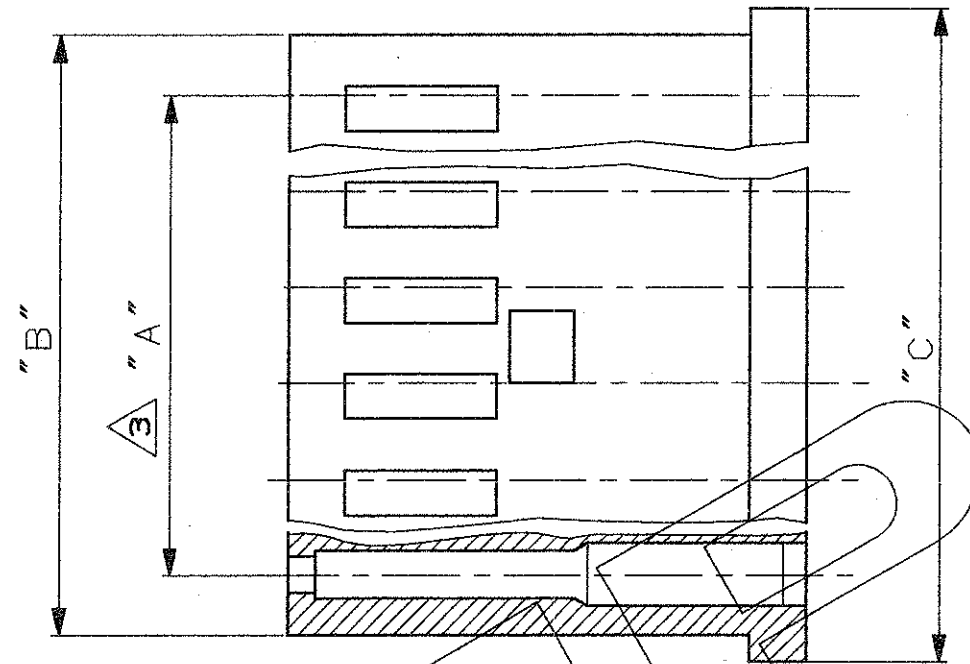
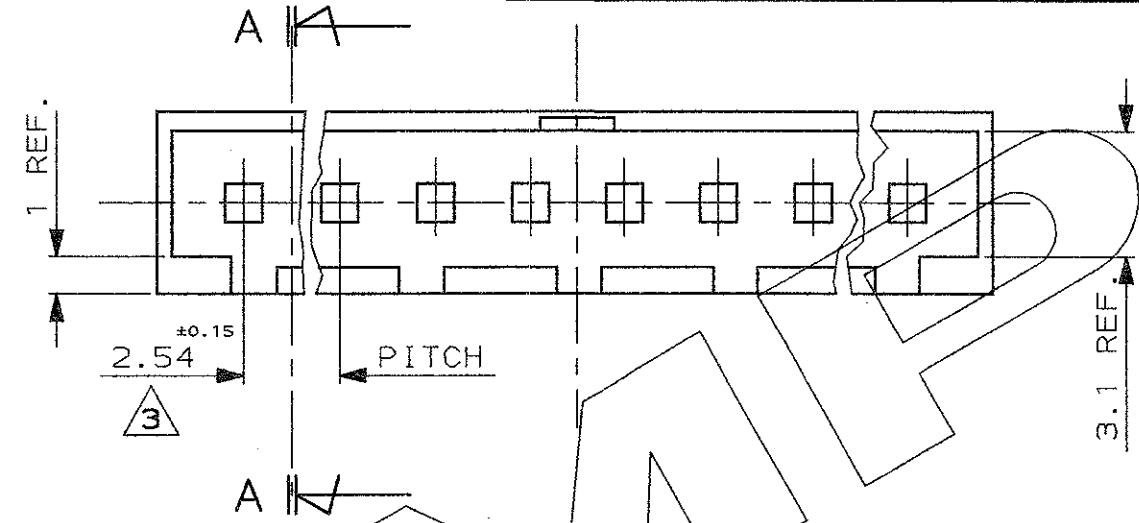
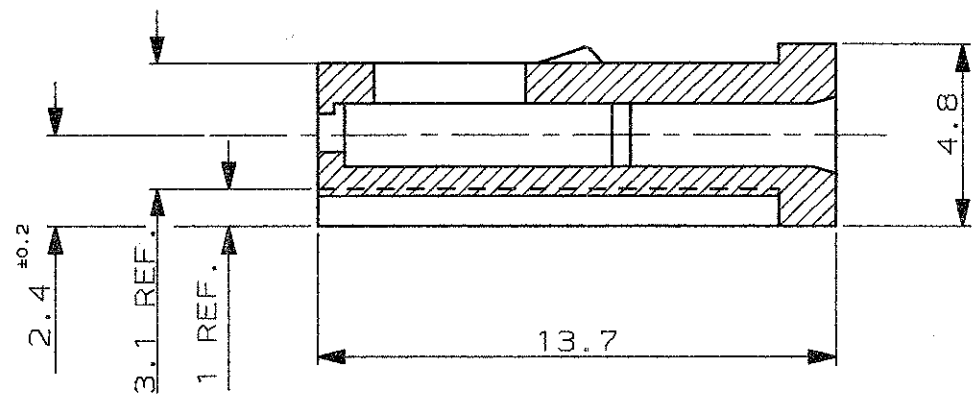


SEZ. A-A
(SECT. A-A)

SCALA NON IMPEGNATIVA
(DO NOT SCALE)
DIMENSIONI IN mm
(DIMENSIONS IN)

METRIC

PROIEZIONE EUROPEA
(EUROPEAN PROJECTION)



4	1-280359-0	7.62	10.6	12.2	2
2	1-280358-0	2.54	5.6	7.1	
22	280364-0	53.34	56.4	57.9	1
15	280363-0	35.56	38.6	40.1	
12	280514-0	27.94	31	32.5	
10	280362-0	22.86	25.9	27.4	
9	280512-0	20.32	23.3	24.9	
8	280361-0	17.78	20.8	22.3	
6	280360-0	12.70	15.7	17.3	
4	280359-0	7.62	10.6	12.2	
2	280358-0	2.54	5.6	7.1	
N° POS.	PART NUMBER	DIM. "A"	DIM. "B"	DIM. "C"	MATERIAL (SEE NOTE)

1 NORYL, UL94 V1, COLORE NERO

1 NORYL, UL94 V1, BLACK COLOUR

2 NORYL SE-1 COLORE ROSSO

2 NORYL SE-1 RED COLOUR

3 TOLLERANZA NON CUMULATIVA

3 NON CUMULATIVE TOLERANCE

CUSTOMER DRAWING
FOR REFERENCE ONLY

DISEGNO PER CLIENTE
SOLO PER RIFERIMENTO

THIS DRAWING IS UNPUBLISHED | RELEASE FOR PUBLICATION

TOLLERANZE, SE NON
DIVERSAMENTE SPECIFICATO
(TOLERANCES, UNLESS
OTHERWISE SPECIFIED)

DIAM. ISOLANTE
(INS. DIA. RANGE)

RANGO FILO
(WIRE RANGE)

SCALA
(SCALE)

± 0.3

ANGOLI
(ANGLES)

± 2°

STE TE Connectivity

DIS. 11 APRIL '95
(DR.) C.PIA

DESCRIZIONE
(DESCRIPTION) AMPMODU II REC. HSG

CONT. 11 APRIL '95
(CHK) R. CANTORE

SINGLE ROW, CRIMP ON-SNAP IN

Y2	REVISED PER ECO-11-005140	RK	30MAY11
REV. (REV. DATE)	REVISIONI (REVISION RECORD)	DIS. (DR)	DATA (DATE)

APP. (APP.)	LOC. (LOC.)	SIZE (SIZE)	NUMERO (DWS NO)	REV. (REV.)	FUOGIO (SHEET)
-------------	-------------	-------------	-----------------	-------------	----------------

I A3 C - 280358	Y2	1	DI (D)	1
-----------------	----	---	--------	---

X-ON Electronics

Largest Supplier of Electrical and Electronic Components

Click to view similar products for [Headers & Wire Housings](#) category:

Click to view products by [TE Connectivity](#) manufacturer:

Other Similar products are found below :

[892-18-020-10-001101](#) [58102-G61-06LF](#) [582553-1](#) [0009485154](#) [009176003701906](#) [0050291907](#) [LY20-4P-DT1-P1E-BR](#) [02.125.8002.8](#)
[609-3404](#) [61062-3](#) [61082-181009](#) [622-3653LF](#) [63453-116](#) [636-1030](#) [636-1427](#) [636-3427](#) [636-4007](#) [641938-9](#) [641991-4](#) [644827-2](#) [65817-010LF](#) [65817-015LF](#) [65863-015LF](#) [66207-023LF](#) [67095-007LF](#) [67601157](#) [68645-018](#) [68648-049](#) [70.362.1628.0](#) [70-4210](#) [70-4226B](#) [70-4853B](#) [707-5020](#) [707-5028](#) [71.350.2428.0](#) [71918-208LF](#) [71961-016LF](#) [733-134](#) [733-162](#) [754199-000](#) [760-3052](#) [787-8014-00](#) [79531-3000](#)
[FCN-360C032-B](#) [FCN-367T-T012/H](#) [FCN-723D010/2](#) [80.063.4001.1](#) [800-90-001-10-001000](#) [800-90-010-10-002000](#) [801-43-002-10-013000](#)