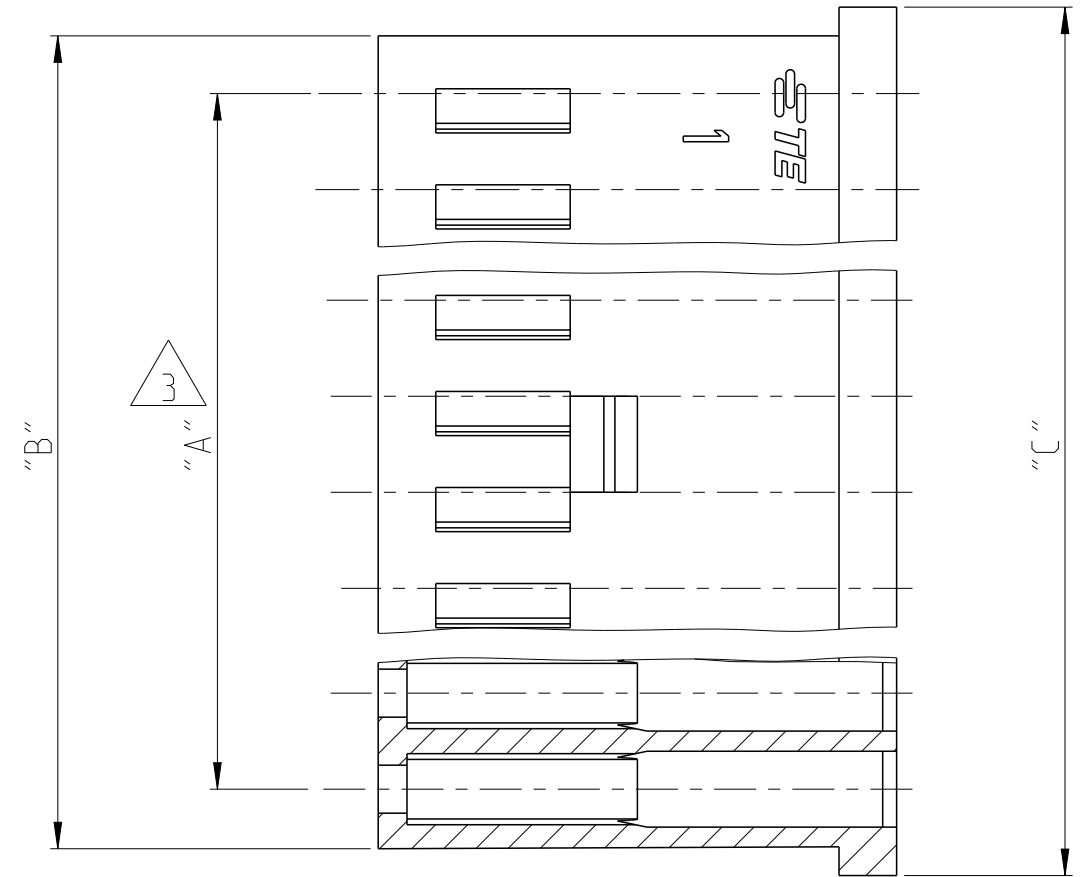
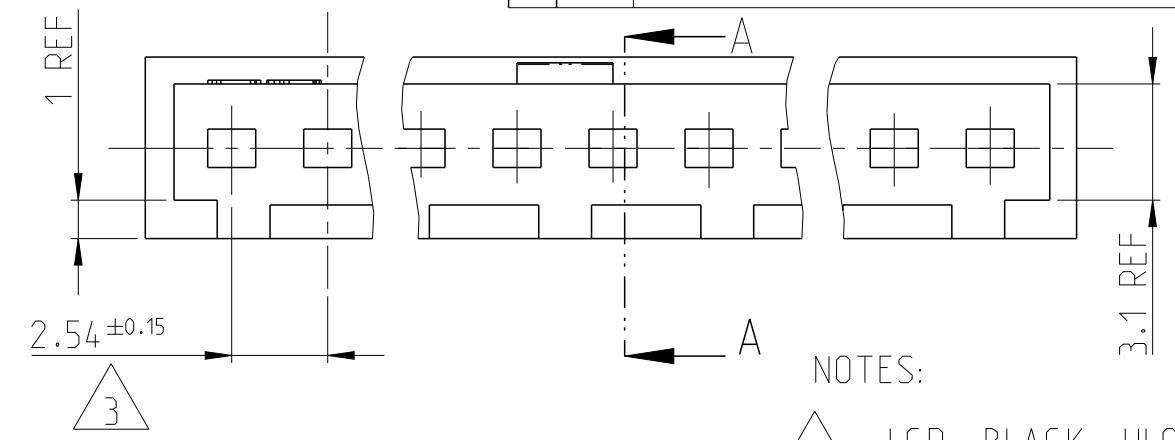
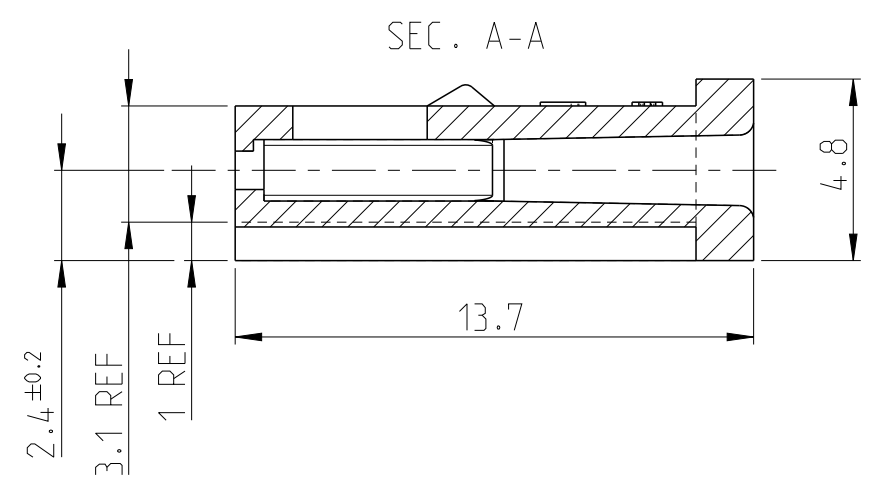


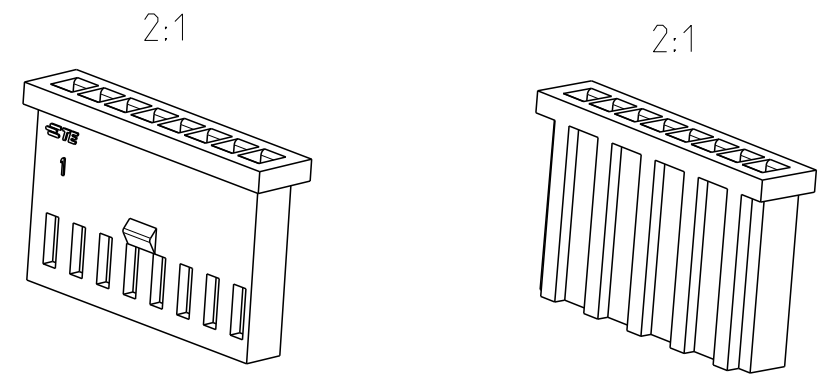
THIS DRAWING IS UNPUBLISHED. RELEASED FOR PUBLICATION 20
 © COPYRIGHT 20 BY - ALL RIGHTS RESERVED.


| REVISIONS | | | | | |
|-----------|-----|------------------------|-----------|-----|------|
| P | LTR | DESCRIPTION | DATE | DWN | APVD |
| | Z | MATERIAL CHANGE TO LCP | 15OCT2018 | KJK | PS |
| | | | | | |
| | | | | | |



- NOTES:
- 1 LCP, BLACK, UL94V-0
 - 2 NORYL SE-1 RED COLOUR
 - 3 NON CUMULATIVE TOLERANCE
 - 4 PERMITTED FLASH 0.25mm MAX

| NUM OF POS. | PART NUMBER | DIM "A" | DIM "B" | DIM "C" | MATERIAL (SEE NOTE) |
|-------------|-------------|---------|---------|---------|---------------------|
| 4 | 1-280359-0 | 7.62 | 10.6 | 12.2 | 1 |
| 2 | 1-280358-0 | 2.54 | 5.6 | 7.1 | |
| 22 | 280364 | 53.34 | 56.4 | 57.9 | |
| 15 | 280363 | 35.56 | 38.6 | 40.1 | |
| 12 | 280514 | 27.94 | 31.0 | 32.5 | |
| 10 | 280362 | 22.86 | 25.9 | 27.4 | |
| 9 | 280512 | 20.32 | 23.3 | 24.9 | |
| 8 | 280361 | 17.78 | 20.8 | 22.3 | |
| 6 | 280360 | 12.70 | 15.7 | 17.3 | |
| 4 | 280359 | 7.62 | 10.6 | 12.2 | |
| 2 | 280358 | 2.54 | 5.6 | 7.1 | |
| OBSOLETE | | | | | 2 |



| | | | |
|---|--|---|---|
| THIS DRAWING IS A CONTROLLED DOCUMENT. | | DWN KARTHIK 20MAR2018 |  TE Connectivity |
| DIMENSIONS: mm | | CHK SHARATH S 15OCT2018 | |
| TOLERANCES UNLESS OTHERWISE SPECIFIED: ±0.3 | | APVD PRASHANTH S 15OCT2018 | |
| 0 PLC ± 1 PLC ± 2 PLC ± 3 PLC ± 4 PLC ± ANGLES ±2° FINISH - | | NAME AMPMODU II REC. HSG SINGLE ROW, CRIMP ON- SNAP IN PRODUCT SPEC 108-20025 APPLICATION SPEC 114-20004 WEIGHT - | |
| MATERIAL - | | SIZE A3 | CAGE CODE 00779 |
| | | DRAWING NO. C-280358 | RESTRICTED TO - |
| | | CUSTOMER DRAWING | SCALE 5:1 SHEET 1 OF 1 REV Z |

X-ON Electronics

Largest Supplier of Electrical and Electronic Components

Click to view similar products for [Headers & Wire Housings](#) category:

Click to view products by [TE Connectivity](#) manufacturer:

Other Similar products are found below :

[892-18-020-10-001101](#) [58102-G61-06LF](#) [582553-1](#) [0009485154](#) [009176003701906](#) [0050291907](#) [LY20-4P-DT1-P1E-BR](#) [02.125.8002.8](#)
[609-3404](#) [61062-3](#) [61082-181009](#) [622-3653LF](#) [63453-116](#) [636-1030](#) [636-1427](#) [636-3427](#) [636-4007](#) [641938-9](#) [641991-4](#) [644827-2](#) [65817-010LF](#) [65817-015LF](#) [65863-015LF](#) [66207-023LF](#) [67095-007LF](#) [67601157](#) [68645-018](#) [68648-049](#) [70.362.1628.0](#) [70-4210](#) [70-4226B](#) [70-4853B](#) [707-5020](#) [707-5028](#) [71.350.2428.0](#) [71918-208LF](#) [71961-016LF](#) [733-134](#) [733-162](#) [754199-000](#) [760-3052](#) [787-8014-00](#) [79531-3000](#)
[FCN-360C032-B](#) [FCN-367T-T012/H](#) [FCN-723D010/2](#) [80.063.4001.1](#) [800-90-001-10-001000](#) [800-90-010-10-002000](#) [801-43-002-10-013000](#)