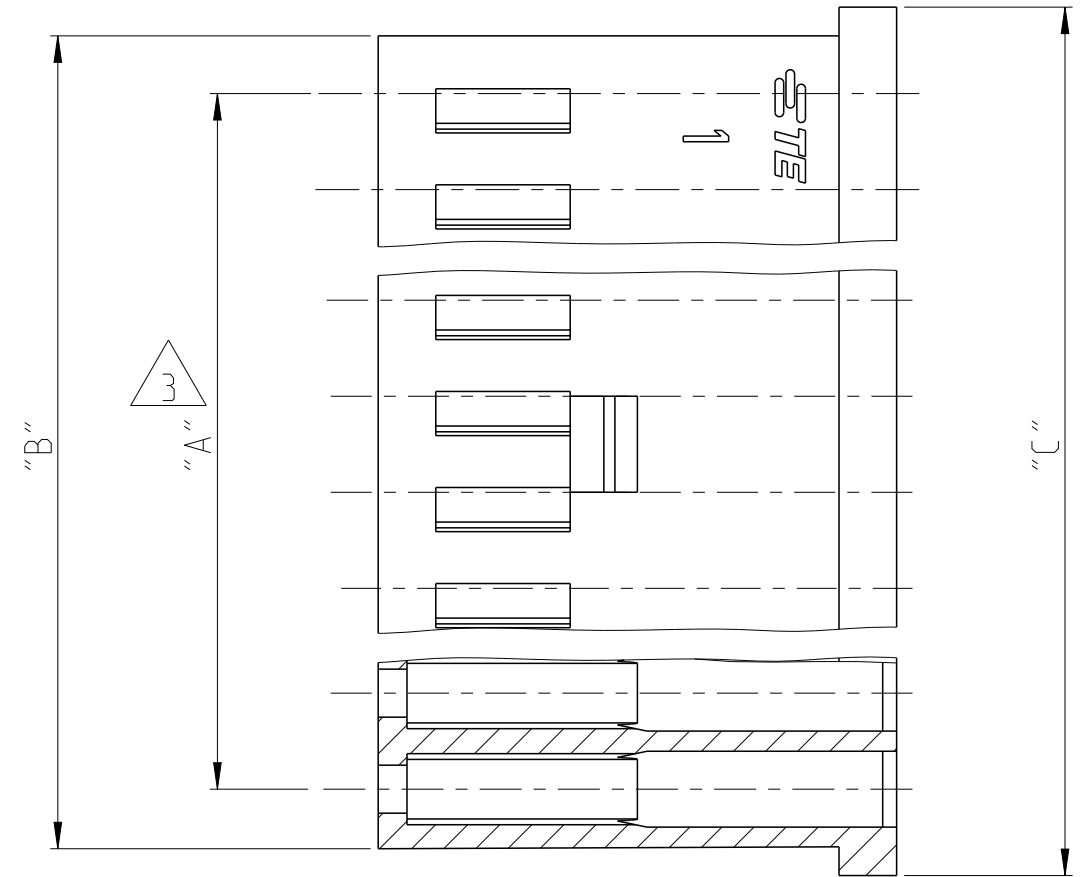
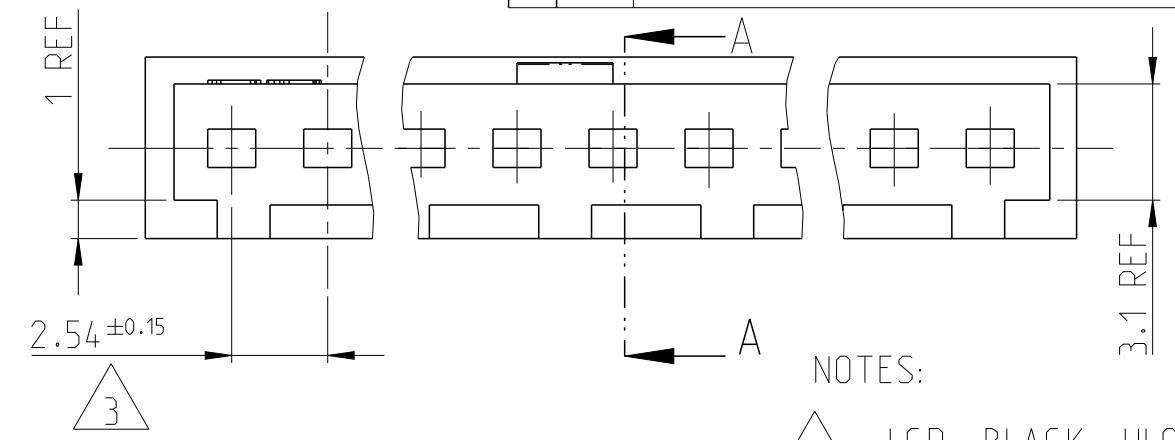
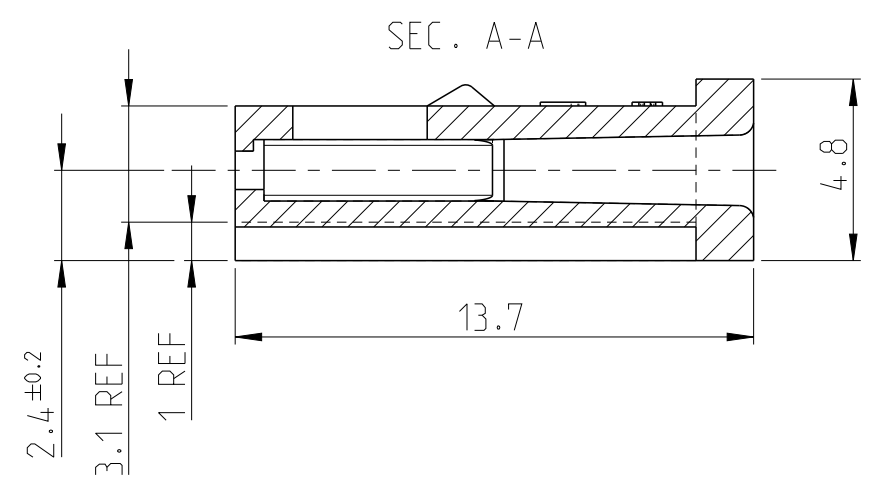


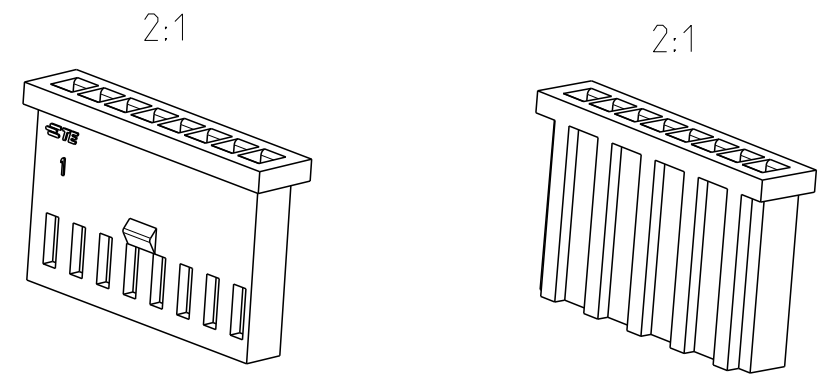
THIS DRAWING IS UNPUBLISHED. RELEASED FOR PUBLICATION 20  
 © COPYRIGHT 20 BY - ALL RIGHTS RESERVED.

REVISIONS					
P	LTR	DESCRIPTION	DATE	DWN	APVD
	Z	MATERIAL CHANGE TO LCP	15OCT2018	KJK	PS



- NOTES:
- 1 LCP, BLACK, UL94V-0
  - 2 NORYL SE-1 RED COLOUR
  - 3 NON CUMULATIVE TOLERANCE
  - 4 PERMITTED FLASH 0.25mm MAX

NUM OF POS.	PART NUMBER	DIM "A"	DIM "B"	DIM "C"	MATERIAL (SEE NOTE)
4	1-280359-0	7.62	10.6	12.2	1
2	1-280358-0	2.54	5.6	7.1	
22	280364	53.34	56.4	57.9	
15	280363	35.56	38.6	40.1	
12	280514	27.94	31.0	32.5	
10	280362	22.86	25.9	27.4	
9	280512	20.32	23.3	24.9	
8	280361	17.78	20.8	22.3	
6	280360	12.70	15.7	17.3	
4	280359	7.62	10.6	12.2	
2	280358	2.54	5.6	7.1	2



THIS DRAWING IS A CONTROLLED DOCUMENT.		DWN KARTHIK 20MAR2018	TE Connectivity	NAME AMPMODU II REC. HSG SINGLE ROW, CRIMP ON- SNAP IN		
DIMENSIONS: mm		CHK SHARATH S 15OCT2018		PRODUCT SPEC 108-20025	SIZE A3	CAGE CODE 00779
TOLERANCES UNLESS OTHERWISE SPECIFIED: ±0.3		APVD PRASHANTH S 15OCT2018		APPLICATION SPEC 114-20004	DRAWING NO C-280358	RESTRICTED TO -
MATERIAL -		FINISH -		WEIGHT -	SCALE 5:1	SHEET 1 OF 1
CUSTOMER DRAWING			REV Z			

## X-ON Electronics

Largest Supplier of Electrical and Electronic Components

*Click to view similar products for [Headers & Wire Housings](#) category:*

*Click to view products by [TE Connectivity](#) manufacturer:*

Other Similar products are found below :

[892-18-020-10-001101](#) [58102-G61-06LF](#) [582553-1](#) [0009485154](#) [009176003701906](#) [0050291907](#) [LY20-4P-DT1-P1E-BR](#) [02.125.8002.8](#)  
[609-3404](#) [61062-3](#) [61082-181009](#) [622-3653LF](#) [63453-116](#) [636-1030](#) [636-1427](#) [636-3427](#) [636-4007](#) [641938-9](#) [641991-4](#) [644827-2](#) [65817-010LF](#) [65817-015LF](#) [65863-015LF](#) [66207-023LF](#) [67095-007LF](#) [67601157](#) [68645-018](#) [68648-049](#) [70.362.1628.0](#) [70-4210](#) [70-4226B](#) [70-4853B](#) [707-5020](#) [707-5028](#) [71.350.2428.0](#) [71918-208LF](#) [71961-016LF](#) [733-134](#) [733-162](#) [754199-000](#) [760-3052](#) [787-8014-00](#) [79531-3000](#)  
[FCN-360C032-B](#) [FCN-367T-T012/H](#) [FCN-723D010/2](#) [80.063.4001.1](#) [800-90-001-10-001000](#) [800-90-010-10-002000](#) [801-43-002-10-013000](#)