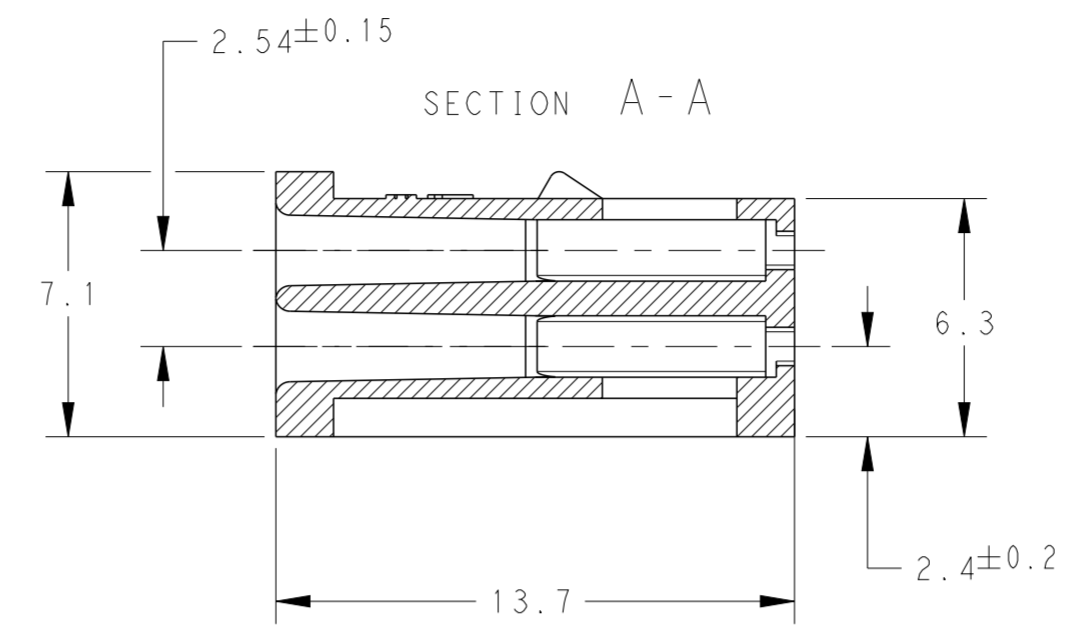
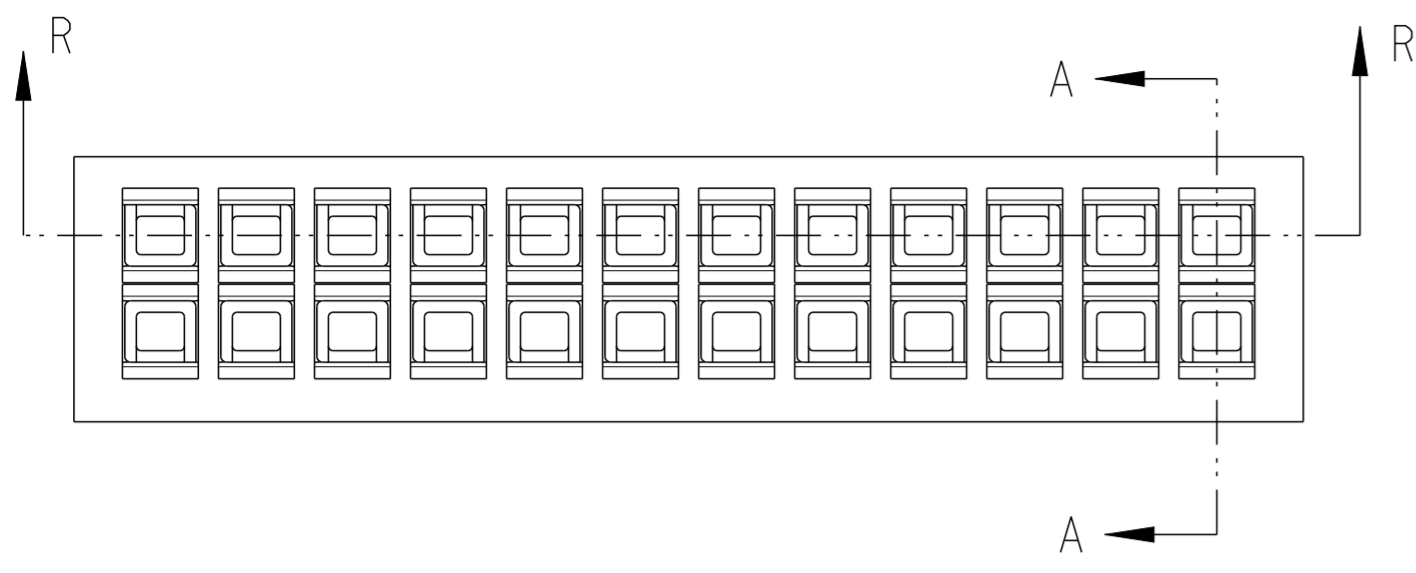
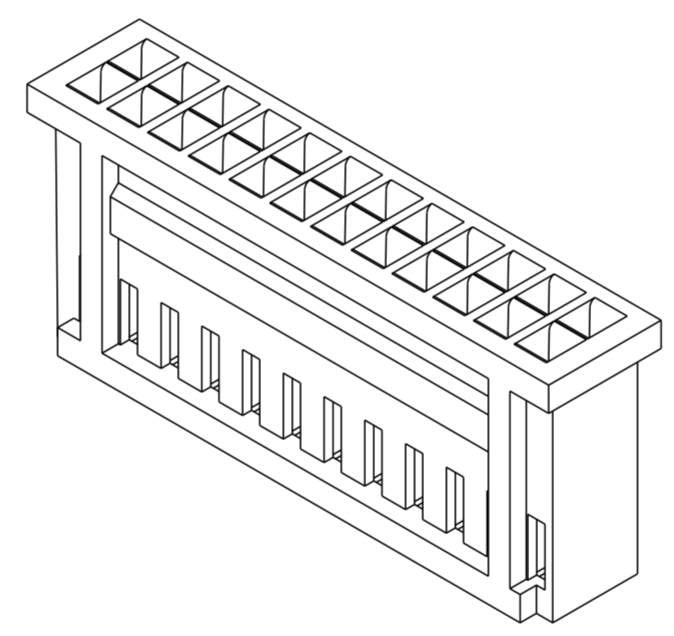
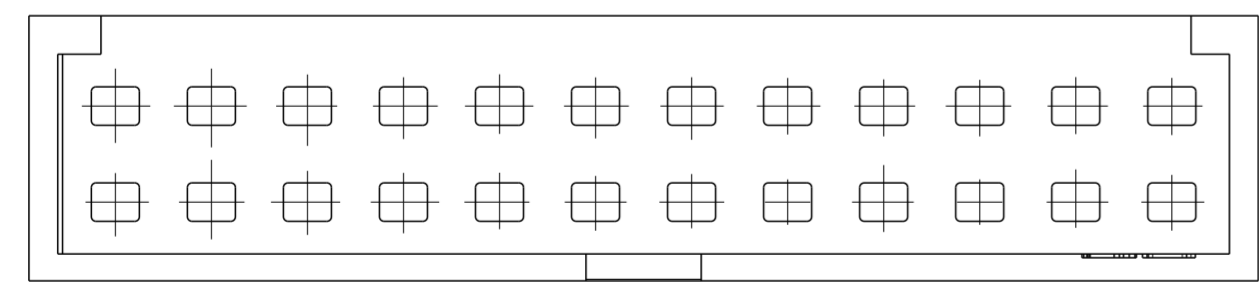
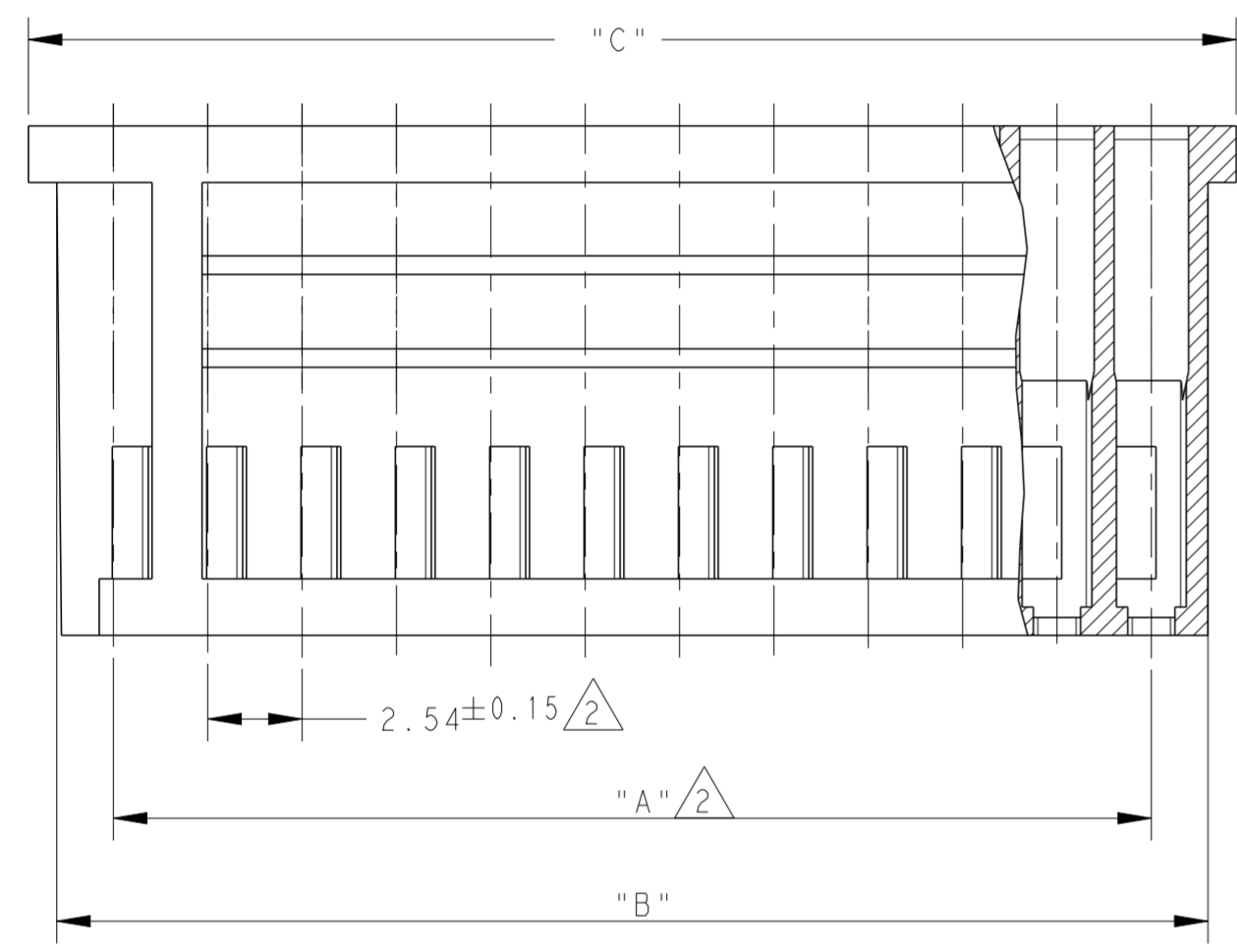


THIS DRAWING IS UNPUBLISHED. RELEASED FOR PUBLICATION
 © COPYRIGHT copyright.d8te- ALL RIGHTS RESERVED.

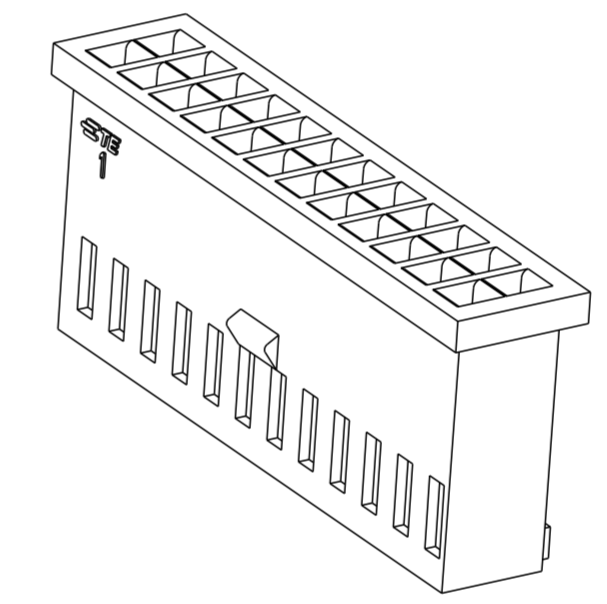
REVISIONS				
P	LTR	DESCRIPTION	DATE	APVD
AA		MATERIAL CHANGE TO LCP. NEW HORIZONTAL RIB FEATURE ADDED	17OCT2018	KJK PS



SECTION R-R



SCALE 3:1



SCALE 3:1

- NOTES:
- 1 LCP, BLACK, UL94V-0
 - 2 TOLERANCE NOT CUMULATIVE

NUM OF POS	PART NUMBER	DIM "A"	DIM "B"	DIM "C"	MATERIAL
22	280369	53.34	56.40	57.90	⚠
18	281018	43.18	46.20	47.80	
15	280368	35.56	38.60	40.10	
12	280515	27.94	31.00	32.50	
9	280513	20.32	23.30	24.90	
8	280366	17.78	20.80	22.30	
6	282792-1	12.70	15.70	17.20	
5	284123-1	10.16	13.20	14.70	
4	280365	7.62	10.60	12.20	

THIS DRAWING IS A CONTROLLED DOCUMENT.

DWN	KARTHIK J K	17OCT2018
CHK	SHARATH S	17OCT2018
APVD	PRASHANTH S	17OCT2018
PRODUCT SPEC	108-20025	
APPLICATION SPEC	114-20004	
WEIGHT	-	
CUSTOMER DRAWING	SCALE 5:1	SHEET 1 OF 1

STE TE Connectivity

NAME: AMPMODU MOD. II DOUBLE ROW, REC. CONTACT HOUSING CRIMP SNAP-IN

SIZE: A2 CAGE CODE: 00779 DRAWING NO: C-280365

RESTRICTED TO: - REV: AA

X-ON Electronics

Largest Supplier of Electrical and Electronic Components

Click to view similar products for [Headers & Wire Housings](#) category:

Click to view products by [TE Connectivity](#) manufacturer:

Other Similar products are found below :

[892-18-020-10-001101](#) [58102-G61-06LF](#) [582553-1](#) [0009485154](#) [009176003701906](#) [0050291907](#) [LY20-4P-DT1-P1E-BR](#) [02.125.8002.8](#)
[609-3404](#) [61062-3](#) [61082-181009](#) [622-3653LF](#) [63453-116](#) [636-1030](#) [636-1427](#) [636-3427](#) [636-4007](#) [641938-9](#) [641991-4](#) [644827-2](#) [65817-010LF](#) [65817-015LF](#) [65863-015LF](#) [66207-023LF](#) [67095-007LF](#) [67601157](#) [68645-018](#) [68648-049](#) [70.362.1628.0](#) [70-4210](#) [70-4226B](#) [70-4853B](#) [707-5020](#) [707-5028](#) [71.350.2428.0](#) [71918-208LF](#) [71961-016LF](#) [733-134](#) [733-162](#) [754199-000](#) [760-3052](#) [787-8014-00](#) [79531-3000](#)
[FCN-360C032-B](#) [FCN-367T-T012/H](#) [FCN-723D010/2](#) [80.063.4001.1](#) [800-90-001-10-001000](#) [800-90-010-10-002000](#) [801-43-002-10-013000](#)