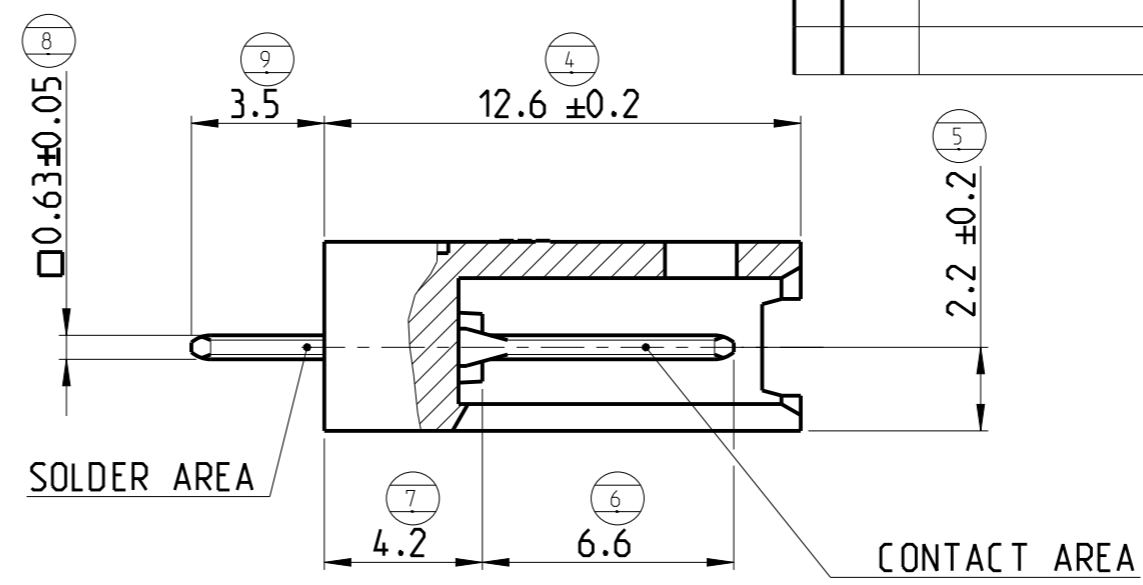
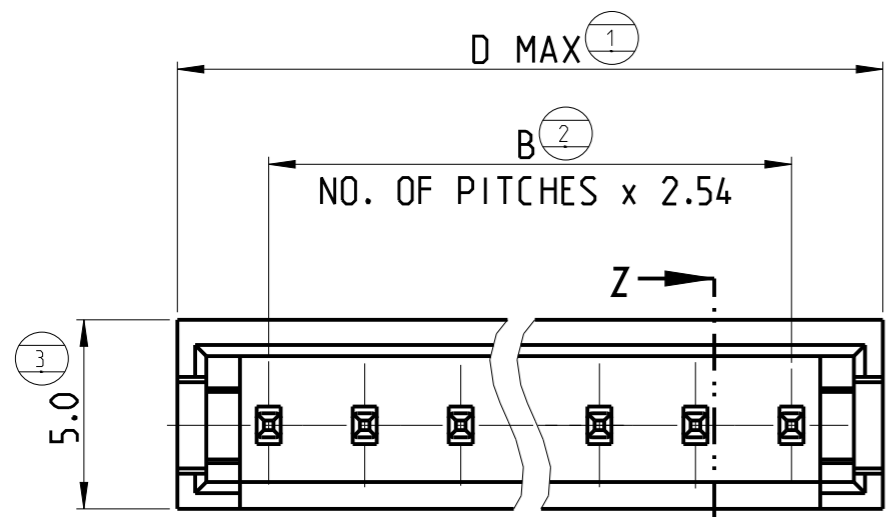
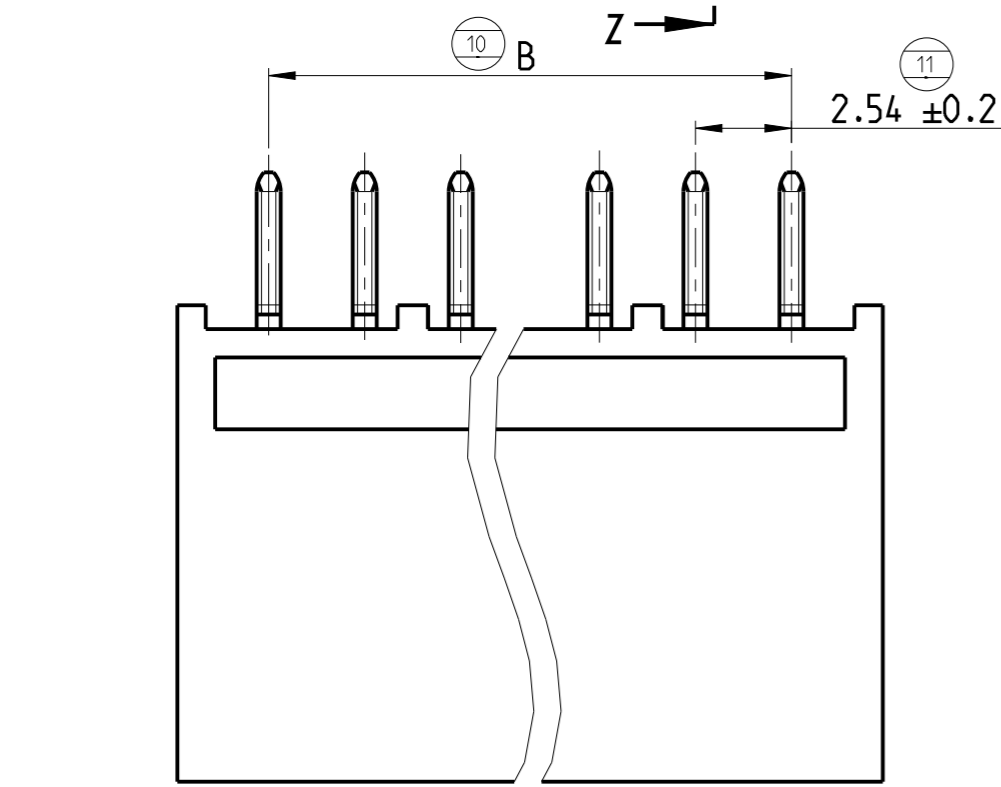


P	LTR	DESCRIPTION	DATE	DWN	APVD
	N	DRAWING REDRAWN. PLASTIC SUPPLIER CHANGED	27MAY2021	SB	KJK



PARTIAL SEC Z-Z



58.5	53.34	280376-3	<del>280376-2</del> 5	280376-1	22
40.7	35.56	280375-3	280375-2	280375-1	15
33.1	27.94	280520-3	280520-2	280520-1	12
28.0	22.86	280374-3	280374-2	280374-1	10
25.4	20.32	<del>280508-3</del> 6	280508-2	280508-1	9
22.9	17.78	<del>280373-3</del> 5	280373-2	280373-1	8
17.8	12.70	280372-3	280372-2	280372-1	6
12.7	7.62	280371-3	280371-2	280371-1	4
7.7	2.54	280370-3	280370-2	280370-1	2
D	B	PART NUMBER 3	PART NUMBER 2	PART NUMBER 1	NO. OF POS.

NOTES:

- 1 FINISH: 3-5 μm TIN OVER MIN 1.27 μm NICKEL
- 2 FINISH: DUPLEX PLATED MIN 0.38 μm GOLD IN CONTACT AREA AND 2.5 μm TIN IN SOLDER AREA. OVER MIN 1.27 μm NICKEL.
- 3 FINISH: DUPLEX PLATED MIN 0.76 μm GOLD IN CONTACT AREA AND 2.5 μm TIN IN SOLDER AREA. OVER MIN 1.27 μm NICKEL.
- 4 MATERIALS:  
-HOUSINGS: FLAME RETARDANT THERMOPLASTIC, UL94V0, COLOR BLACK.  
-TIN AND GOLD PLATED CONTACT: BRASS
- 5 OBSOLETE PN
- 6 PN SUPERSEDED BY 280508-2

THIS DRAWING IS A CONTROLLED DOCUMENT.		DWN G. CAMPIA 12FEB1990				
DIMENSIONS: mm		CHK -				
TOLERANCES UNLESS OTHERWISE SPECIFIED: ±0.3		APVD -	NAME AMPMODU II SHROUDED HEADER SINGLE ROW, STRAIGHT POST			
0 PLC ±		PRODUCT SPEC 108-20025				
1 PLC ±		APPLICATION SPEC -	SIZE A3	CAGE CODE 00779	DRAWING NO C-280370	RESTRICTED TO -
2 PLC ±		WEIGHT -	SCALE 5:1 SHEET 1 OF 1 REV N			
3 PLC ±		CUSTOMER DRAWING				
4 PLC ±						
ANGLES ± 2°						
FINISH -						

## X-ON Electronics

Largest Supplier of Electrical and Electronic Components

*Click to view similar products for [Headers & Wire Housings](#) category:*

*Click to view products by [TE Connectivity](#) manufacturer:*

Other Similar products are found below :

[892-18-020-10-001101](#) [58102-G61-06LF](#) [582553-1](#) [0009485154](#) [009176003701906](#) [0050291907](#) [LY20-4P-DT1-P1E-BR](#) [02.125.8002.8](#)  
[609-3404](#) [61062-3](#) [61082-181009](#) [622-3653LF](#) [63453-116](#) [636-1030](#) [636-1427](#) [636-3427](#) [636-4007](#) [641938-9](#) [641991-4](#) [644827-2](#) [65817-](#)  
[010LF](#) [65817-015LF](#) [65863-015LF](#) [66207-023LF](#) [67095-007LF](#) [67601157](#) [68645-018](#) [68648-049](#) [70.362.1628.0](#) [70-4210](#) [70-4226B](#) [70-](#)  
[4853B](#) [707-5020](#) [707-5028](#) [71.350.2428.0](#) [71918-208LF](#) [71961-016LF](#) [733-134](#) [733-162](#) [754199-000](#) [760-3052](#) [787-8014-00](#) [79531-3000](#)  
[FCN-360C032-B](#) [FCN-367T-T012/H](#) [FCN-723D010/2](#) [80.063.4001.1](#) [800-90-001-10-001000](#) [800-90-010-10-002000](#) [801-43-002-10-013000](#)