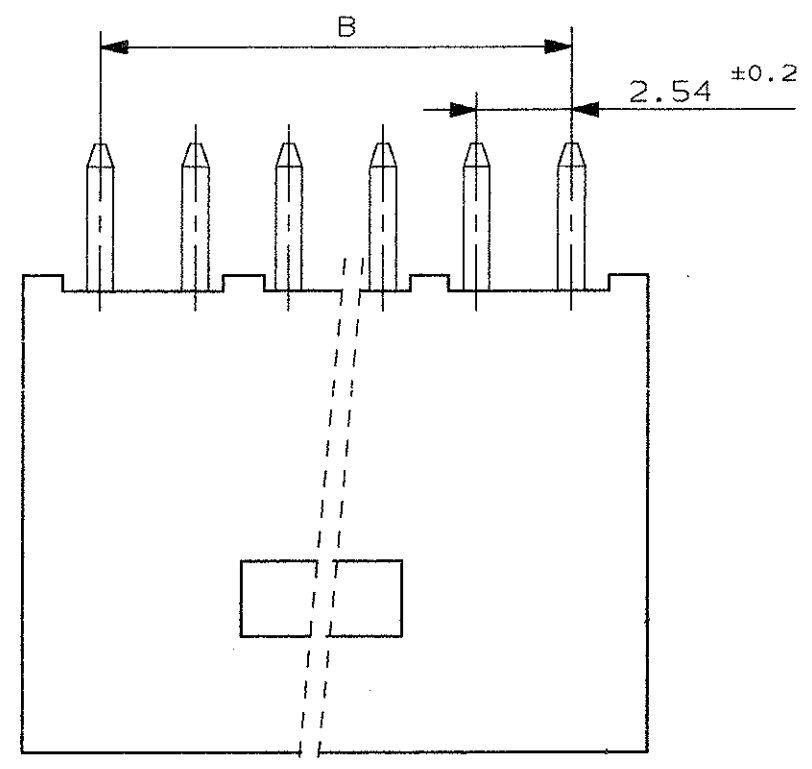


SEZ. PARZIALE (PARTIAL SEC.) A-A



58.5	53.34	280376-3	<del>280376-2</del> <sup>6</sup>	280376-1	22
40.7	35.56	280375-3	280375-2	280375-1	15
33.1	27.94	280520-3	280520-2	280520-1	12
28.0	22.86	280374-3	280374-2	280374-1	10
25.4	20.32	<del>280508-3</del> <sup>5</sup>	280508-2	280508-1	9
22.9	17.78	<del>280373-3</del> <sup>6</sup>	280373-2	280373-1	8
17.8	12.70	280372-3	280372-2	280372-1	6
12.7	7.62	280371-3	280371-2	280371-1	4
7.7	2.54	280370-3	280370-2	280370-1	2
D	B	NUMERO (PART NUMBER) <sup>3</sup>	NUMERO (PART NUMBER) <sup>2</sup>	NUMERO (PART NUMBER) <sup>1</sup>	NO. POS.

- <sup>1</sup> FINITURA (FINISH): STAGNATO 3.5µm (TIN PLATED 3.5µm).
- <sup>2</sup> FINITURA (FINISH): DORATO 0.4µm NELL'AREA DI CONTATTO E STAGNATO 2.5µm NELLA ZONA A SALDARE, SU 1.3µm DI NI. (DUPLIX PLATED 0.4µm GOLD IN CONTACT AREA AND 2.5µm TIN IN SOLDER AREA, OVER 1.3µm NICKEL).
- <sup>3</sup> FINITURA (FINISH): DORATO 0.8µm NELL'AREA DI CONTATTO E STAGNATO 2.5µm NELLA ZONA A SALDARE, SU 1.3µm DI NI. (DUPLIX PLATED 0.8µm GOLD IN CONTACT AREA AND 2.5µm TIN IN SOLDER AREA, OVER 1.3µm NICKEL).
- <sup>4</sup> MATERIALI (MATERIALS):  
 -BLOCCHETTI: POLIESTERE AUTOESTINGUENTE UL94V-0, COLORE NERO. (HOUSINGS: FLAME RETARDANT THERMOPLASTIC, COLOR BLACK).  
 -CONTATTI STAGNATI: BRONZO FOSFOROSO. (TIN PLATED CONTACTS: PHOSPHOR BRONZE).  
 -CONTATTI DORATI: OTTONE. (GOLD PLATED CONTACTS: BRASS).
- <sup>5</sup> P/N OBSOLETO (OBSOLETE P/N)

<sup>6</sup> OBSOLETE

CUSTOMER DRAWING FOR REFERENCE ONLY  
DISEGNO PER CLIENTE SOLO PER RIFERIMENTO

THIS DRAWING IS UNPUBLISHED  
© COPYRIGHT 1998 BY TE INCORPORATED, HARRISBURG, PA. ALL INTERNATIONAL RIGHTS RESERVED. TE PRODUCTS MAY BE COVERED BY U.S. AND FOREIGN PATENT AND/OR PATENT PENDING

TOLLERANZE, SE NON DIVERSAMENTE SPECIFICATO  
(TOLERANCES, UNLESS OTHERWISE SPECIFIED)  
± 0.3

ANGOLI (ANGLES) ± 2°

L2 ECR-10-022530  
L1 MODIFIED PER ET00-0263-98/10 FEB 98  
L OBSOLETE P/N 280503-3 (ET00-518-96)  
K AGGIORNATO E RIDISEGNATO (REVISED & REDRAWN)

DIS. G. CAMPIA (DR.) 12 FEB 90  
CONT. (CHK) -  
APP. (APP.) -  
REV. DATA (REV. DATE)

MATERIALI (MATERIALS)  
VEDERE NOTA (SEE NOTE) <sup>4</sup>  
SCALA (SCALE) 5:1

**TE** TE Connectivity

DESCRIZIONE (DESCRIPTION) AMPMODU II HEADER  
ASS. IES, STRAIGHT, SINGLE ROW

LOC. SIZE NUMERO (CONG NO) REV. FOGLIO (SHEET) (OF)  
IA3C-280370 L2 1 DI 1

DISTRIBUZIONE (PRINT DIST.)

## X-ON Electronics

Largest Supplier of Electrical and Electronic Components

*Click to view similar products for [Headers & Wire Housings](#) category:*

*Click to view products by [TE Connectivity](#) manufacturer:*

Other Similar products are found below :

[892-18-020-10-001101](#) [58102-G61-06LF](#) [582553-1](#) [0009485154](#) [009176003701906](#) [0050291907](#) [LY20-4P-DT1-P1E-BR](#) [02.125.8002.8](#)  
[609-3404](#) [61062-3](#) [61082-181009](#) [622-3653LF](#) [63453-116](#) [636-1030](#) [636-1427](#) [636-3427](#) [636-4007](#) [641938-9](#) [641991-4](#) [644827-2](#) [65817-](#)  
[010LF](#) [65817-015LF](#) [65863-015LF](#) [66207-023LF](#) [67095-007LF](#) [67601157](#) [68645-018](#) [68648-049](#) [70.362.1628.0](#) [70-4210](#) [70-4226B](#) [70-](#)  
[4853B](#) [707-5020](#) [707-5028](#) [71.350.2428.0](#) [71918-208LF](#) [71961-016LF](#) [733-134](#) [733-162](#) [754199-000](#) [760-3052](#) [79531-3000](#) [FCN-](#)  
[360C032-B](#) [FCN-367T-T012/H](#) [FCN-723D010/2](#) [80.063.4001.1](#) [800-90-010-10-002000](#) [801-43-002-10-013000](#) [801-43-006-10-002000](#)  
[801-93-011-10-001000](#)