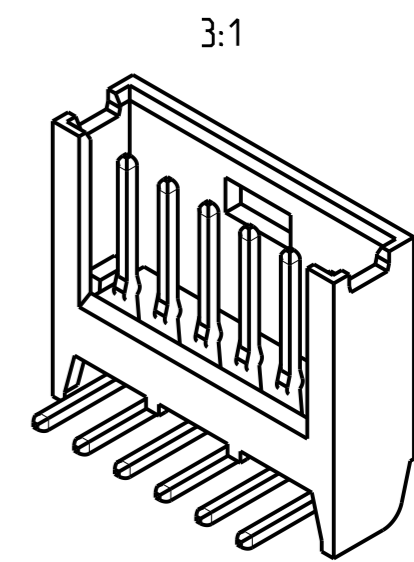
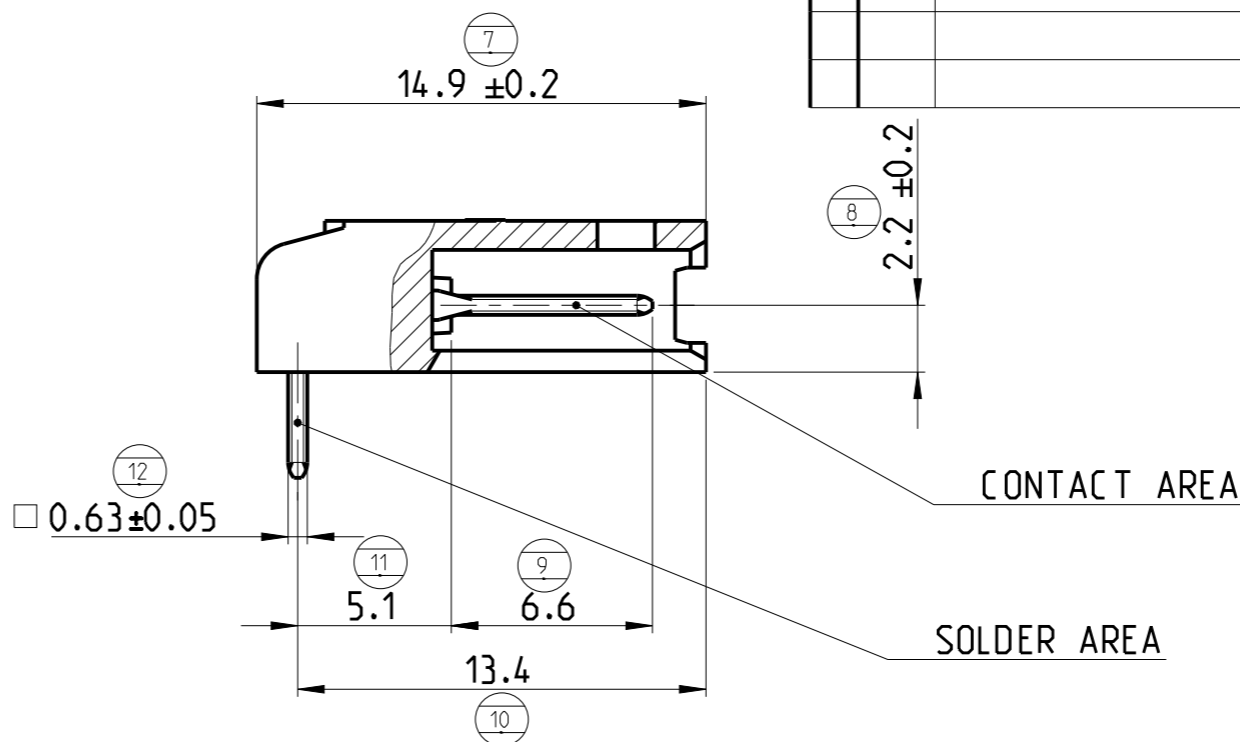
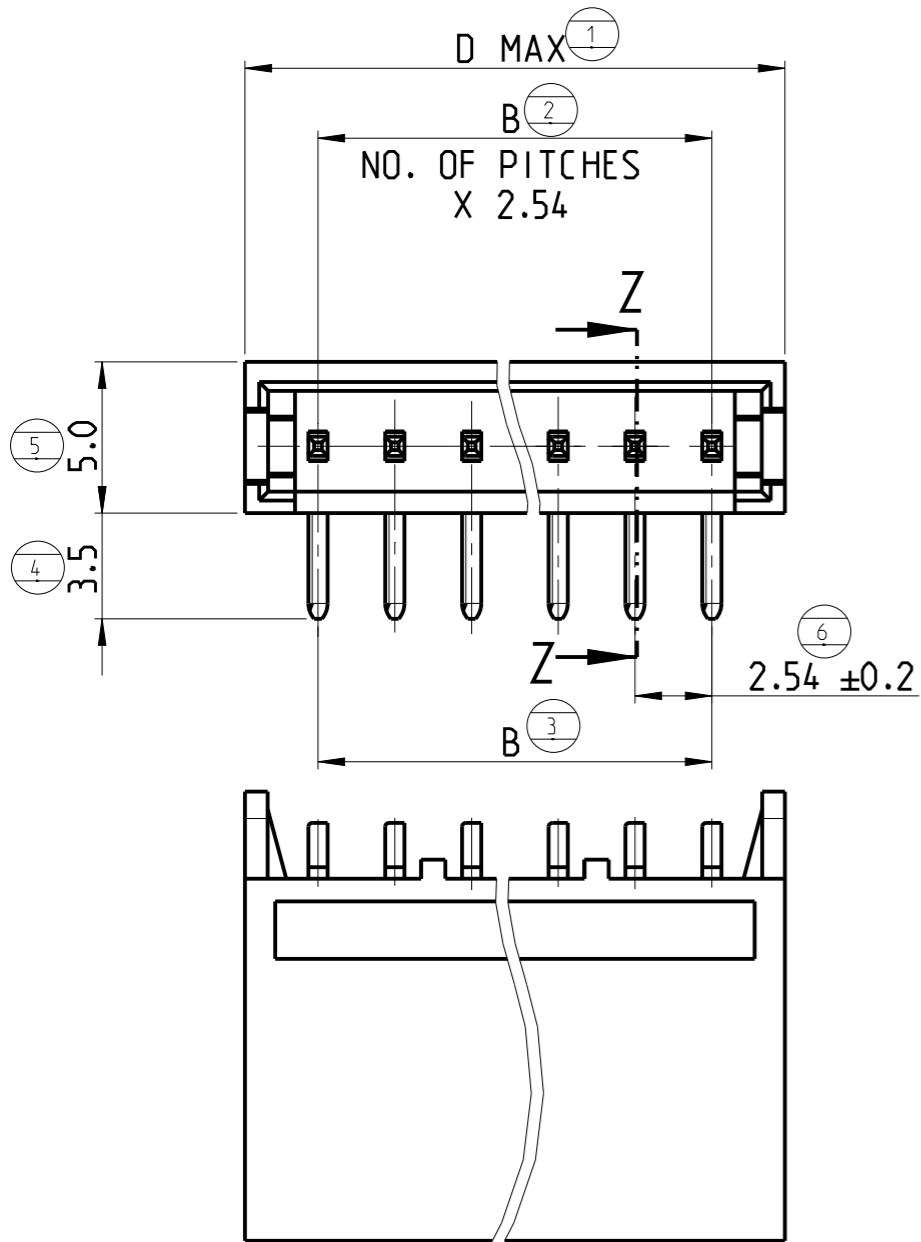


© 2021 TE Connectivity. All Rights Reserved.

REVISIONS

P	LTR	DESCRIPTION	DATE	DWN	APVD
	T	REDRAWN. PLASTIC SUPPLIER CHANGED	28MAY2021	SB	KJK



PARTIAL SEC. Z-Z

- NOTES:
- 1 FINISH: 3-5 μm TIN OVER MIN 1.27 μm NICKEL
  - 2 FINISH: DUPLEX PLATED MIN 0.38 μm GOLD IN CONTACT AREA AND 2.5 μm TIN IN SOLDER AREA. OVER MIN 1.27 μm NICKEL.
  - 3 FINISH: DUPLEX PLATED MIN 0.76 μm GOLD IN CONTACT AREA AND 2.5 μm TIN IN SOLDER AREA. OVER MIN 1.27 μm NICKEL.
  - 4 MATERIALS:  
-HOUSINGS: FLAME RETARDANT THERMOPLASTIC. UL94V0. COLOR BLACK.  
-TIN AND GOLD PLATED CONTACTS: BRASS
  - 5 OBSOLETE
  - 6 RECOMMENDED PCB HOLES DIA: 1.1<sup>+0</sup><sub>-0.2</sub>; 0.75 MIN. ADMITTED FOR 2 POS. ONLY

58.5	53.34	5	<del>280383-3</del>	280383-2	280383-1	22	
40.7	35.56	5	<del>280382-3</del>	280382-2	280382-1	15	
33.1	27.94	5	<del>280523-3</del>	280523-2	280523-1	12	
28.0	22.86		280381-3	280381-2	280381-1	10	
25.4	20.32	5	<del>280511-3</del>	<del>280511-2</del>	280511-1	9	
22.9	17.78		280380-3	280380-2	280380-1	8	
17.8	12.70		280379-3	280379-2	280379-1	6	
12.7	7.62		280378-3	280378-2	280378-1	4	
7.7	2.54		280377-3	280377-2	280377-1	2	
D	B	3	PART NUMBER	2	PART NUMBER	1	PART NUMBER NO. POS.

THIS DRAWING IS A CONTROLLED DOCUMENT.

DWN G. CAMPIA 12FEB1990

CHK -

APVD -

PRODUCT SPEC 108-20025

APPLICATION SPEC -

WEIGHT -

CUSTOMER DRAWING

SCALE 4:1

SHEET 1 OF 1

REV T

TE Connectivity

NAME AMPMODU II SHROUDED HEADER SINGLE ROW, RIGHT ANGLE POST

SIZE A3 CAGE CODE 00779 DRAWING NO C-280377 RESTRICTED TO

## X-ON Electronics

Largest Supplier of Electrical and Electronic Components

*Click to view similar products for [Headers & Wire Housings](#) category:*

*Click to view products by [TE Connectivity](#) manufacturer:*

Other Similar products are found below :

[892-18-020-10-001101](#) [58102-G61-06LF](#) [582553-1](#) [0009485154](#) [009176003701906](#) [0050291907](#) [LY20-4P-DT1-P1E-BR](#) [02.125.8002.8](#)  
[609-3404](#) [61062-3](#) [61082-181009](#) [622-3653LF](#) [63453-116](#) [636-1030](#) [636-1427](#) [636-3427](#) [636-4007](#) [641938-9](#) [641991-4](#) [644827-2](#) [65817-](#)  
[010LF](#) [65817-015LF](#) [65863-015LF](#) [66207-023LF](#) [67095-007LF](#) [67601157](#) [68645-018](#) [68648-049](#) [70.362.1628.0](#) [70-4210](#) [70-4226B](#) [70-](#)  
[4853B](#) [707-5020](#) [707-5028](#) [71.350.2428.0](#) [71918-208LF](#) [71961-016LF](#) [733-134](#) [733-162](#) [754199-000](#) [760-3052](#) [79531-3000](#) [FCN-](#)  
[360C032-B](#) [FCN-367T-T012/H](#) [FCN-723D010/2](#) [80.063.4001.1](#) [800-90-010-10-002000](#) [801-43-002-10-013000](#) [801-43-006-10-002000](#)  
[801-93-011-10-001000](#)