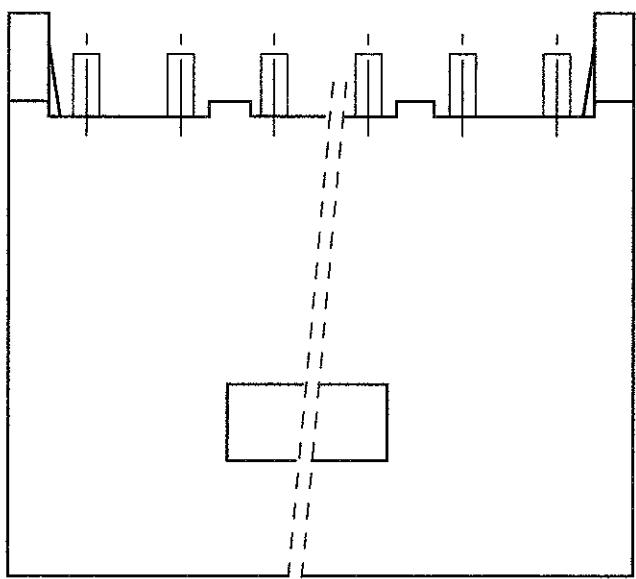
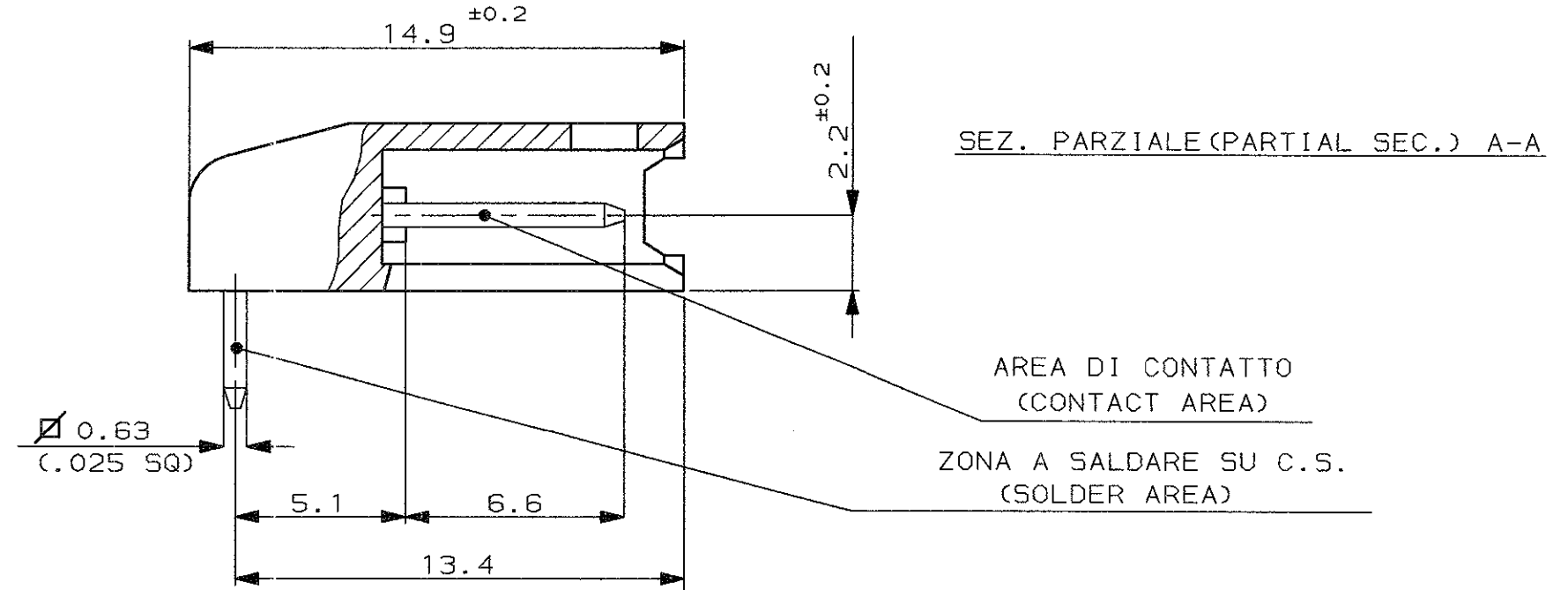
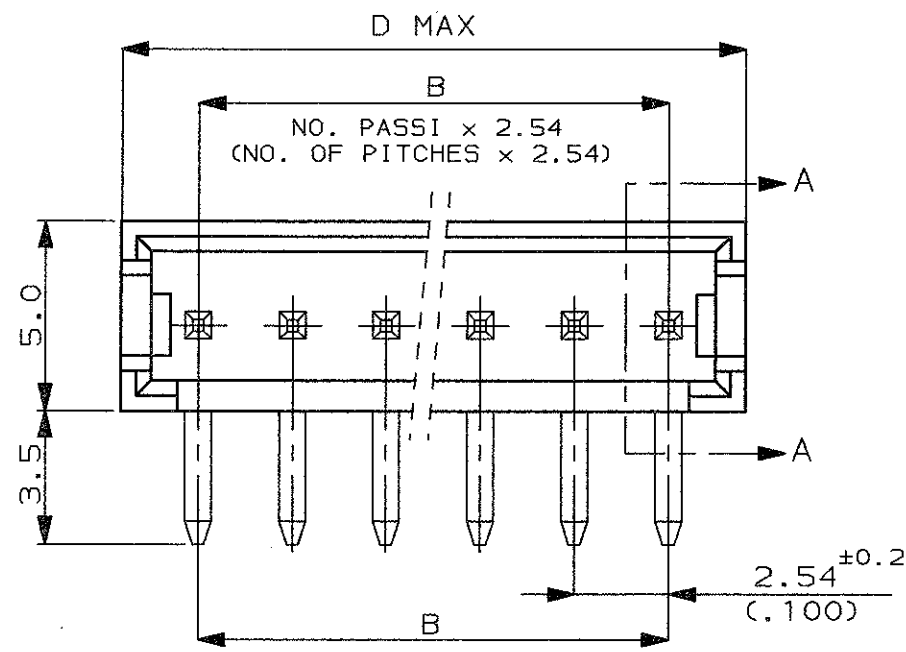


SCALA NON IMPEGNATIVA
(DO NOT SCALE)
DIMENSIONI IN mm
(DIMENSIONS IN mm)

METRIC

PROIEZIONE EUROPEA
(EUROPEAN PROJECTION)



NOTE (NOTES)

- 1 FINITURA (FINISH): STAGNATO 3.5μM (TIN PLATED 3.5μM).
- 2 FINITURA (FINISH): DORATO 0.4μM NELL'AREA DI CONTATTO E STAGNATO 2.5μM NELLA ZONA A SALDARE, SU 1.3μM DI NI. (DUPLIX PLATED 0.4μM GOLD IN CONTACT AREA AND 2.5μM TIN IN SOLDER AREA, OVER 1.3μM NICKEL).
- 3 FINITURA (FINISH): DORATO 0.8μM NELL'AREA DI CONTATTO E STAGNATO 2.5μM NELLA ZONA A SALDARE, SU 1.3μM DI NI. (DUPLIX PLATED 0.8μM GOLD IN CONTACT AREA AND 2.5μM TIN IN SOLDER AREA, OVER 1.3μM NICKEL).
- 4 MATERIALI (MATERIALS):
 -BLOCCHETTI: POLIESTERE AUTOESTINGUENTE UL94V-0, COLORE NERO.
 (HOUSINGS: FLAME RETARDANT THERMOPLASTIC, COLOR BLACK).
 -CONTATTI STAGNATI: BRONZO FOSFOROSO.
 (TIN PLATED CONTACTS: PHOSPHOR BRONZE).
 -CONTATTI DORATI: OTTONE.
 (GOLD PLATED CONTACTS: BRASS).
- 5 OBSOLETO (OBSOLETE)

- 6) SPECIFICA DI PRODOTTO : 108-20025
(PRODUCT SPECIFICATION : 108-20025)
- 7) ∅ FORI RACCOMANDATO SU PCB: 1.1⁺⁰_{-0.2}; 0.75 MIN. AMMESSO SOLO PER 2 POS.
(RECOMMENDED PCB HOLES DIA: 1.1⁺⁰_{-0.2}; 0.75 MIN. ADMITTED FOR 2 POS. ONLY)

58.5	53.34	5	280383-3	280383-2	280383-1	22
40.7	35.56	5	280382-3	280382-2	280382-1	15
33.1	27.94		280523-3	280523-2	280523-1	12
28.0	22.86		280381-3	280381-2	280381-1	10
25.4	20.32	5	280511-3	5	280511-2	9
22.9	17.78		280380-3	280380-2	280380-1	8
17.8	12.70		280379-3	280379-2	280379-1	6
12.7	7.62		280378-3	280378-2	280378-1	4
7.7	2.54		280377-3	280377-2	280377-1	2
D	B		NUMERO (PART NUMBER) 3	NUMERO (PART NUMBER) 2	NUMERO (PART NUMBER) 1	NO. POS.

CUSTOMER DRAWING FOR REFERENCE ONLY DISEGNO PER CLIENTE SOLO PER RIFERIMENTO

THIS DRAWING IS UNPUBLISHED RELEASE FOR PUBLICATION 19

TOLLERANZE: SE NON DIVERSAMENTE SPECIFICATO
(TOLERANCES, UNLESS OTHERWISE SPECIFIED)

± 0.3

ANGOLI (ANGLES) ± 2°

MATERIALI (MATERIALS)
VEDERE NOTA (SEE NOTE) 4

SCALA (SCALE) 5:1

TE TE Connectivity

DIS. G. CAMPIA 12 FEB 90
(DR.)

DESCRIZIONE (DESCRIPTION) AMPMODU II HEADER ASS. IES, R. ANGLE, SINGLE ROW

LOC. SIZE NUMERO (DWG NO.) REV. FOGLIO (SHEET) DI (OF)

I A3 C - 280377 R3 1 DI 1

R3	REVISED PER ECO-11-005294	RK	05APR 11
REV.	REVISIONI (REVISION RECORD)	DIS. DATA	DATE

DISTRIBUZIONE (PRINT DIST.)

X-ON Electronics

Largest Supplier of Electrical and Electronic Components

Click to view similar products for [Headers & Wire Housings](#) category:

Click to view products by [TE Connectivity](#) manufacturer:

Other Similar products are found below :

[95000-104TRLF](#) [10135584-644402LF](#) [DF62W-EP2022PCA](#) [95000-106TRLF](#) [DF62W-2022SCA](#) [DF62W-EP2022PC](#) [2203348](#) [DF62W-2022SC](#) [1084018](#) [1029039](#) [1084017](#) [802-10-012-10-002000](#) [1112640](#) [1112639](#) [000-34000](#) [0009482033](#) [0009507031](#) [57102-S06-03LF](#) [57202-S52-04LF](#) [PCN6-15S-2.5E](#) [0039019024](#) [58102-G61-06LF](#) [582553-1](#) [0009508121](#) [0050291907](#) [018731A](#) [LY20-4P-DT1-P1E-BR](#) [02.125.8002.8](#) [60101931](#) [60598-1 \(Cut Strip\)](#) [M1625-3R/100](#) [61062-3](#) [61082-181009](#) [636-1427](#) [638009-1](#) [641938-9](#) [641991-4](#) [644168-1](#) [647662-1](#) [65039-019ELF](#) [65817-002LF](#) [65817-015LF](#) [65863-015LF](#) [66207-023LF](#) [67016-026LF](#) [67046-001LF](#) [67095-007LF](#) [68002-116](#) [68016-236H](#) [68648-049](#)