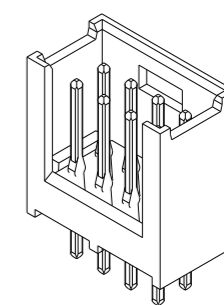
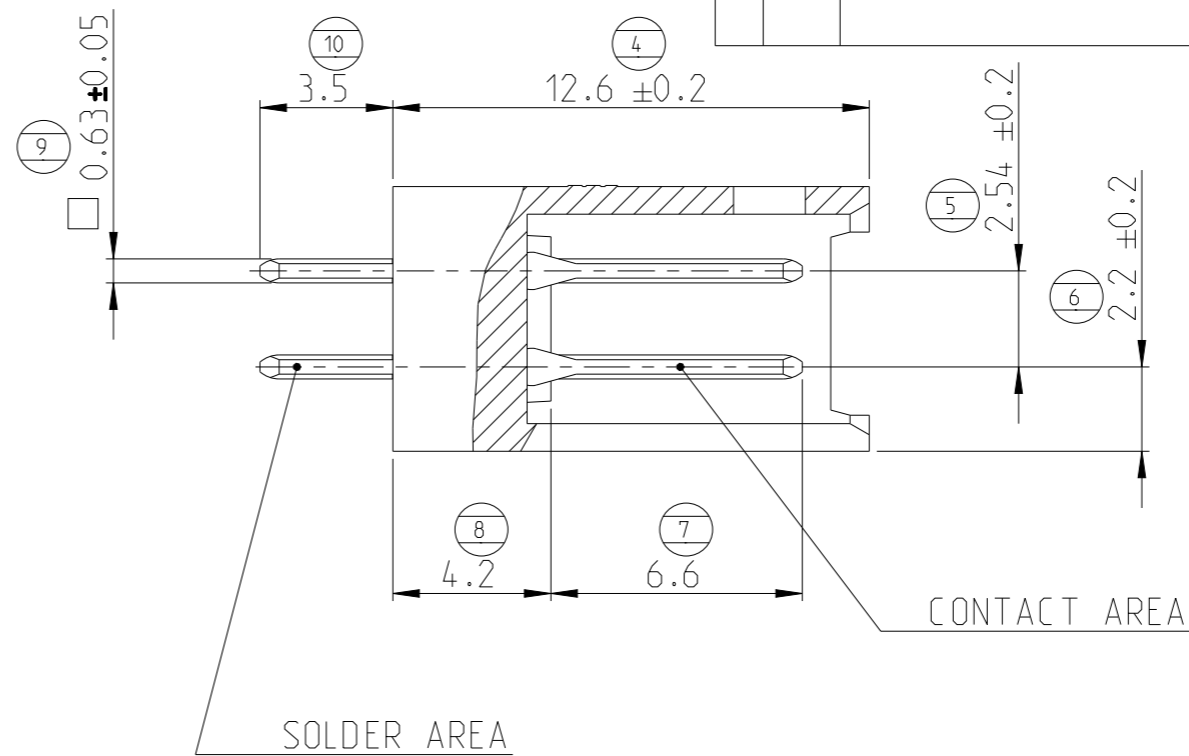
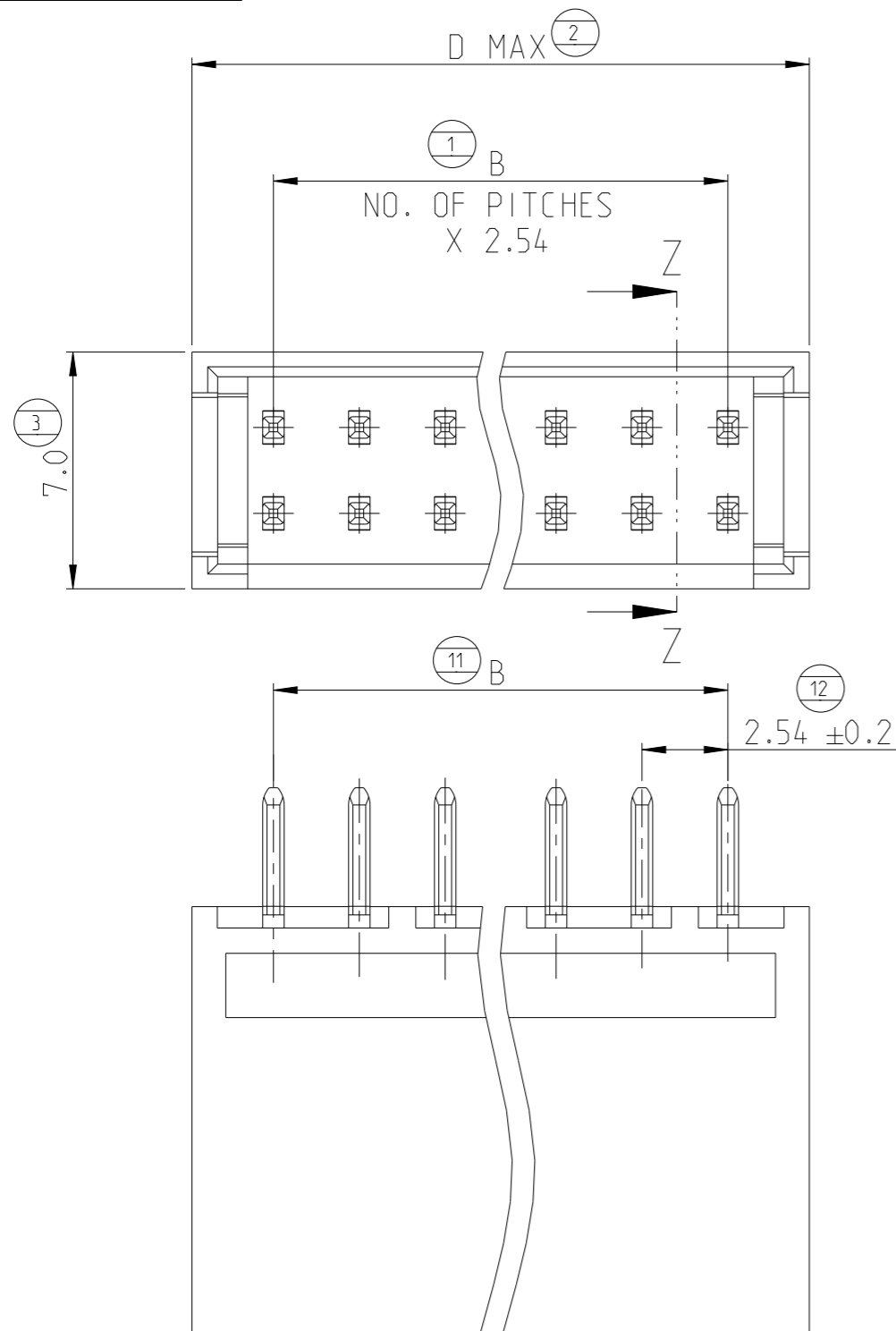


P	LTR	DESCRIPTION	DATE	DWN	APVD
	U	REDRAWN, RESIN SUPPLIER CHANGED	04JUN2021	SB	KJK



2:1

PARTIAL SEC. Z-Z

NOTES:

- 1 FINISH: 3-5 μm TIN OVER MIN 1.27 μm NICKEL
- 2 FINISH: DUPLEX PLATED MIN. 0.38 μm GOLD IN CONTACT AREA AND 2.5 μm TIN IN SOLDER AREA, OVER MIN. 1.27 μm NICKEL.
- 3 FINISH: DUPLEX PLATED MIN. 0.76 μm GOLD IN CONTACT AREA AND 2.5 μm TIN IN SOLDER AREA, OVER MIN. 1.27 μm NICKEL.
- 4 MATERIALS:
-HOUSINGS: FLAME RETARDANT THERMOPLASTIC, UL94V0, COLOR BLACK.
-TIN AND GOLD PLATED CONTACTS: BRASS
- 5 PN OBSOLETE

58.5	53.34	280388-3	5	280388-2	280388-1	22
48.3	43.18	281019-3	5	281019-2	281019-1	18
40.7	35.56	280387-3		280387-2	280387-1	15
33.1	27.94	280521-3	5	280521-2	280521-1	12
25.4	20.32	280509-3	5	280509-2	280509-1	9
22.9	17.78	280385-3		280385-2	280385-1	8
12.7	7.62	280384-3	5	280384-2	280384-1	4
D	B	3 PART NUMBER		2 PART NUMBER	1 PART NUMBER	NO. POS.

THIS DRAWING IS A CONTROLLED DOCUMENT.		DWN G. CAMPIA 12FEB1990	TE Connectivity			
DIMENSIONS: mm		CHK -				
TOLERANCES UNLESS OTHERWISE SPECIFIED: ±0.3		APVD -	NAME AMPMODU II SHROUDED HEADER DUAL ROW, STRAIGHT POST			
		PRODUCT SPEC 108-20025	APPLICATION SPEC -			
MATERIAL 4		WEIGHT -	SIZE A3	CAGE CODE 00779	DRAWING NO C=280384	RESTRICTED TO
CUSTOMER DRAWING			SCALE 5:1	SHEET 1 OF 1	REV U	

X-ON Electronics

Largest Supplier of Electrical and Electronic Components

Click to view similar products for [Headers & Wire Housings](#) category:

Click to view products by [TE Connectivity](#) manufacturer:

Other Similar products are found below :

[892-18-020-10-001101](#) [58102-G61-06LF](#) [582553-1](#) [0009485154](#) [009176003701906](#) [0050291907](#) [LY20-4P-DT1-P1E-BR](#) [02.125.8002.8](#)
[609-3404](#) [61062-3](#) [61082-181009](#) [622-3653LF](#) [63453-116](#) [636-1030](#) [636-1427](#) [636-3427](#) [636-4007](#) [641938-9](#) [641991-4](#) [644827-2](#) [65817-010LF](#) [65817-015LF](#) [65863-015LF](#) [66207-023LF](#) [67095-007LF](#) [67601157](#) [68645-018](#) [68648-049](#) [70.362.1628.0](#) [70-4210](#) [70-4226B](#) [70-4853B](#) [707-5020](#) [707-5028](#) [71.350.2428.0](#) [71918-208LF](#) [71961-016LF](#) [733-134](#) [733-162](#) [754199-000](#) [760-3052](#) [787-8014-00](#) [79531-3000](#)
[FCN-360C032-B](#) [FCN-367T-T012/H](#) [FCN-723D010/2](#) [80.063.4001.1](#) [800-90-001-10-001000](#) [800-90-010-10-002000](#) [801-43-002-10-013000](#)