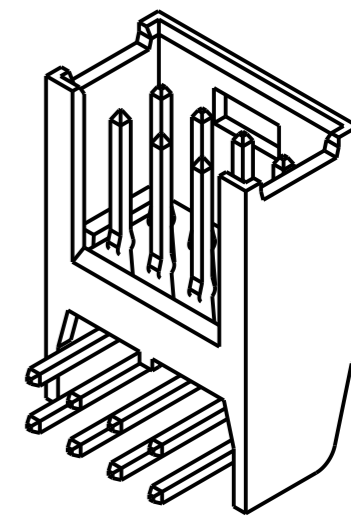
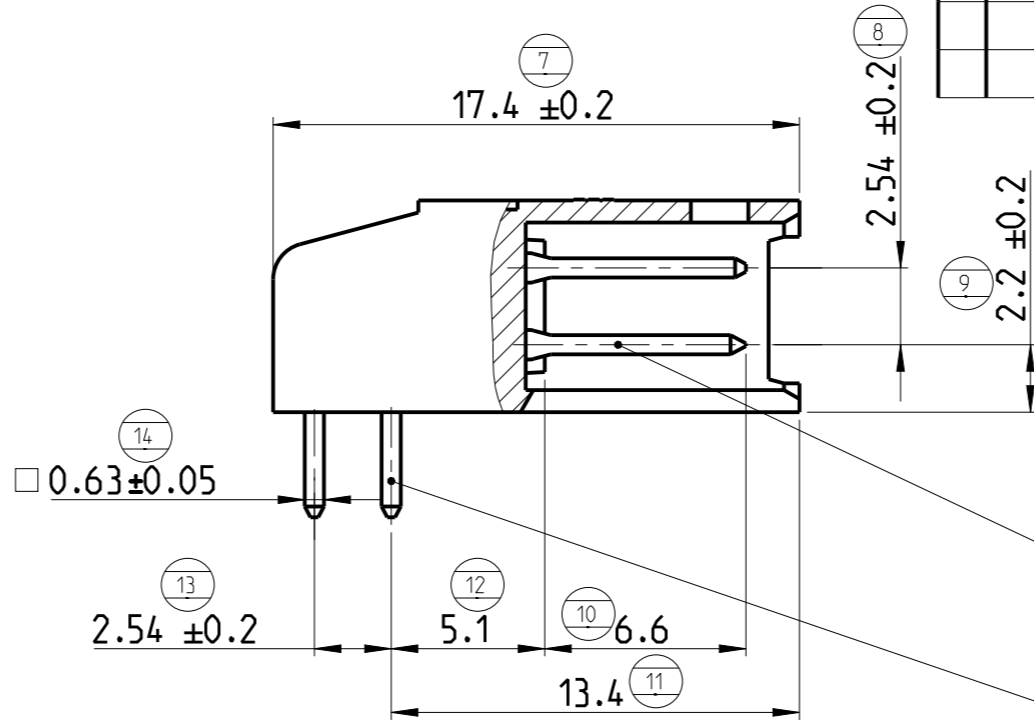
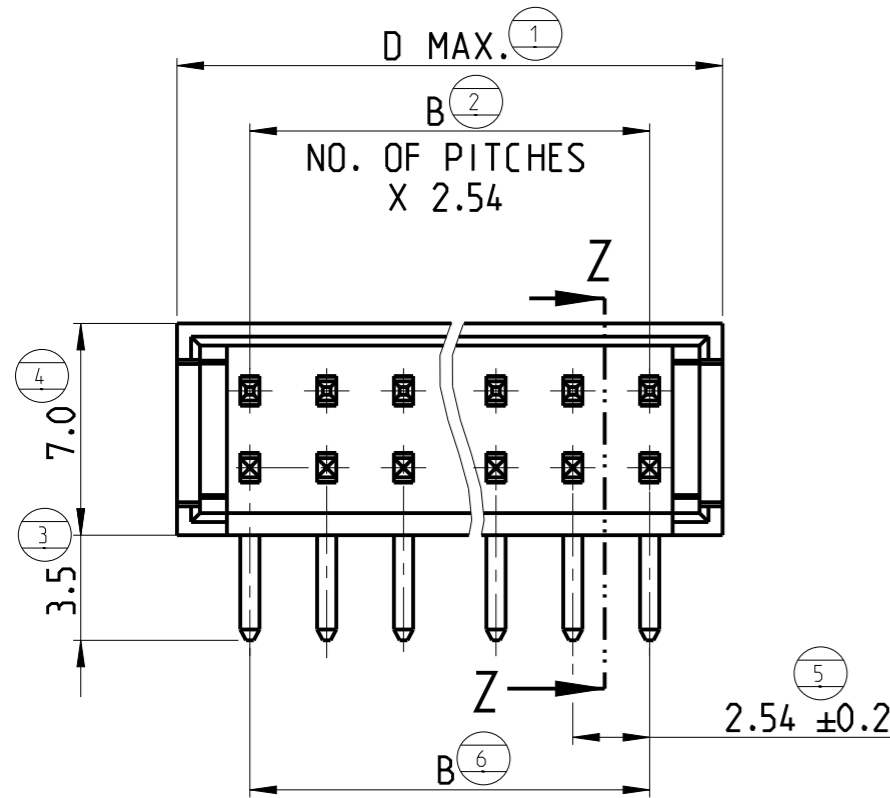
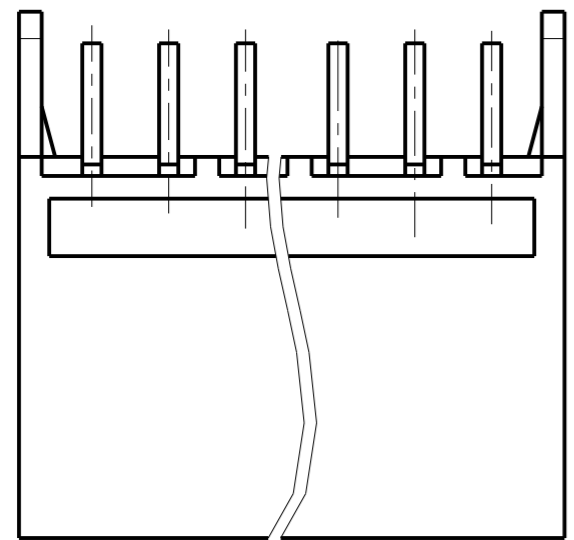


P	LTR	DESCRIPTION	DATE	DWN	APVD
	AD	REDRAWN. PLASTIC SUPPLIER CHANGED	11MAY2021	SB	KJK



PARTIAL SEC. Z-Z



15.2	10.16	280393-3	284124-1	280393-1	5
58.5	53.34	280393-3	280393-2	280393-1	22
48.3	43.18	281021-3	281021-2	281021-1	18
40.7	35.56	280392-3	280392-2	280392-1	15
33.1	27.94	280522-3	280522-2	280522-1	12
25.4	20.32	280510-3	280510-2	280510-1	9
22.9	17.78	280390-3	280390-2	280390-1	8
17.8	12.70	282790-1	282790-1	282790-1	6
12.7	7.62	280389-3	280389-2	280389-1	4
D	B	PART NUMBER	PART NUMBER	PART NUMBER	NO. POS.

NOTES:

- △ FINISH: 3-5 μm TIN OVER MIN 1.27 μm NICKEL
- △ FINISH: DUPLEX PLATED MIN. 0.38 μm GOLD IN CONTACT AREA AND 2.5 μm TIN IN SOLDER AREA. OVER MIN 1.27 μm NICKEL.
- △ FINISH: DUPLEX PLATED MIN 0.76 μm GOLD IN CONTACT AREA AND 2.5 μm TIN IN SOLDER AREA. OVER MIN 1.27 μm NICKEL.
- △ MATERIALS:
-HOUSINGS: FLAME RETARDANT THERMOPLASTIC UL94V0. COLOR BLACK.
-TIN AND GOLD PLATED CONTACTS: BRASS
- △ OBSOLETE

THIS DRAWING IS A CONTROLLED DOCUMENT.

DIMENSIONS: mm	TOLERANCES UNLESS OTHERWISE SPECIFIED: ±0.3	DWN G. CAMPIA 12FEB1990	
	0 PLC ±	CHK R. CANTORE 12FEB1990	
	1 PLC ±	APVD -	
	2 PLC ±	PRODUCT SPEC 108-20025	
	3 PLC ±	APPLICATION SPEC -	NAME AMPMODU II SHROUDED HEADER DUAL ROW, RIGHT ANGLE POST
MATERIAL 4	FINISH -	WEIGHT -	SIZE A3
			CAGE CODE 00779
			DRAWING NO C-280389
			RESTRICTED TO
			SCALE 5:1
			SHEET 1 OF 1
			REV AD

CUSTOMER DRAWING

X-ON Electronics

Largest Supplier of Electrical and Electronic Components

Click to view similar products for [Headers & Wire Housings](#) category:

Click to view products by [TE Connectivity](#) manufacturer:

Other Similar products are found below :

[892-18-020-10-001101](#) [58102-G61-06LF](#) [582553-1](#) [0009485154](#) [009176003701906](#) [0050291907](#) [LY20-4P-DT1-P1E-BR](#) [02.125.8002.8](#)
[609-3404](#) [61062-3](#) [61082-181009](#) [622-3653LF](#) [63453-116](#) [636-1030](#) [636-1427](#) [636-3427](#) [636-4007](#) [641938-9](#) [641991-4](#) [644827-2](#) [65817-](#)
[010LF](#) [65817-015LF](#) [65863-015LF](#) [66207-023LF](#) [67095-007LF](#) [67601157](#) [68645-018](#) [68648-049](#) [70.362.1628.0](#) [70-4210](#) [70-4226B](#) [70-](#)
[4853B](#) [707-5020](#) [707-5028](#) [71.350.2428.0](#) [71918-208LF](#) [71961-016LF](#) [733-134](#) [733-162](#) [754199-000](#) [760-3052](#) [787-8014-00](#) [79531-3000](#)
[FCN-360C032-B](#) [FCN-367T-T012/H](#) [FCN-723D010/2](#) [80.063.4001.1](#) [800-90-001-10-001000](#) [800-90-010-10-002000](#) [801-43-002-10-013000](#)