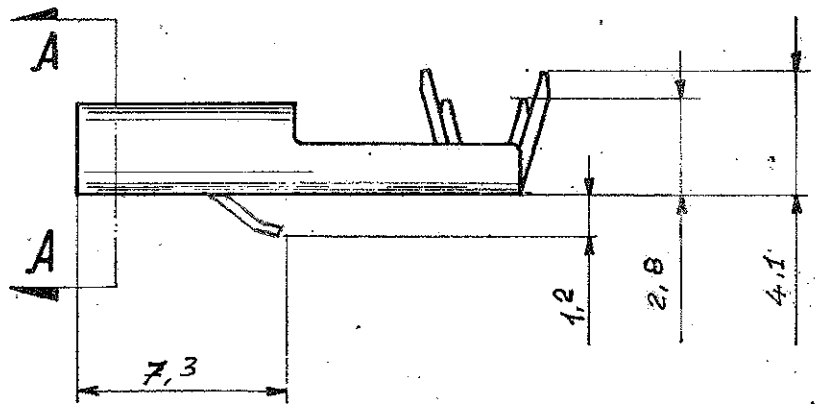
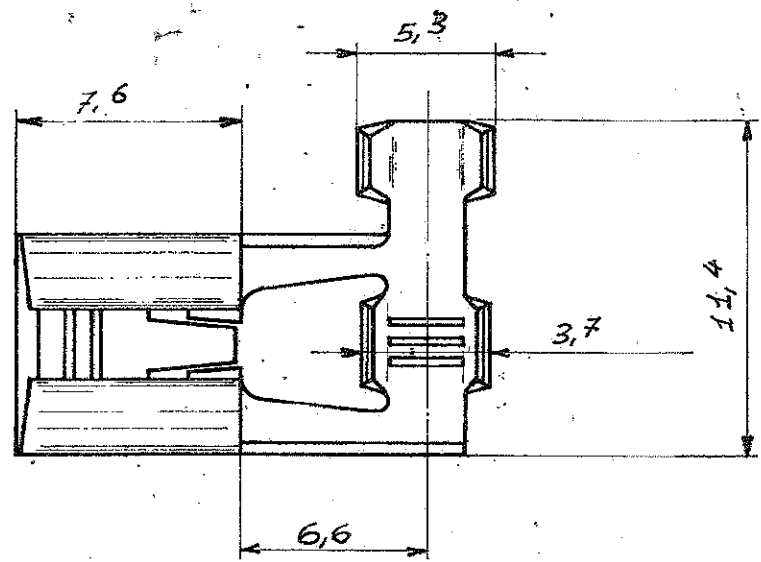
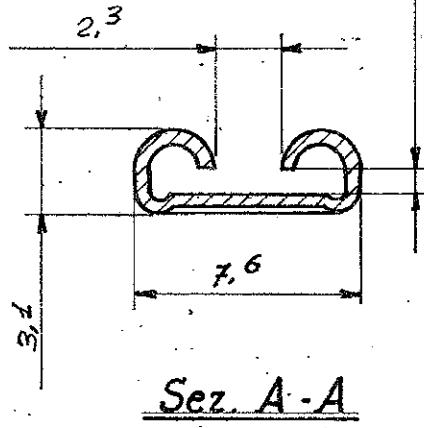



ADATTO PER APPLIC. STANDARD (FOR STANDARD APPLICATOR)		ADATTO PER MINI APPLICATOR (FOR MINI APPLICATOR)		
N° PART. (PART/NUMBER)	MATERIALE/FINITURA (MATERIAL/FINISH)	N° PART. (PART/NUMBER)	MATERIALE/FINITURA (MATERIAL/FINISH)	
280357-1	BRONZO FOSFOROSO (PHOSPH. BRASS)	280428-1	BRONZO FOSFOROSO (PHOSPH. BRASS)	OBSOLETE
280357-2	BRONZO FOSF. STAGNATO (TIN PL. PH. BR.)	280428-2	BRONZO FOSF. STAGNATO (TIN PL. PH. BR.)	
280357-3	OTTONE (BRASS)	280428-3	OTTONE (BRASS)	OBSOLETE
280357-4	OTTONE STAGNATO (FIN PL. BRASS)	280428-4	OTTONE STAGNATO (TIN PL. BRASS)	
		280428-4	OTTONE STAGNATO (TIN PL. BRASS)	OBSOLETE

OBSOLETE

Adatto per linguetta di sp. 0.8
(TO FIT 0.8 mm TAB THK)



DIMENSIONS IN MM. DO NOT SCALE PRINT

© 1973 BY AMP INCORPORATED. ALL RIGHTS RESERVED. AMP PRODUCTS COVERED BY PATENTS AND/OR PATENTS PENDING.		CUSTOMER COPY REFERENCE ONLY	
MATERIAL AND FINISH VEDERE TABELLA (SEE TABLE)		 TE Connectivity CLASS .250 SERIES TYPE F. F.	
WIRE RANGE 0.5-1.5 mm ²	INSULATION 3.3 Ø MAX	LOC I	NO C-280357
TOLERANCE EXCEPT AS NOTED 3, 0, 4	SCALE 4:1	REV N2	
.250 SERIES FLAG FASTEN-ON REC.			

N2	REVISED PER ECR-17-013054	BDA	TD	22NOV2017
LTR	REVISION RECORD	DR	CHK	DATE
DR	9-1-73	CHK	18/12/74	
CHK	18/12/74	APP		

X-ON Electronics

Largest Supplier of Electrical and Electronic Components

Click to view similar products for [Terminals](#) category:

Click to view products by [TE Connectivity](#) manufacturer:

Other Similar products are found below :

[00-054007-01074-6](#) [00-054007-70206-1](#) [00-054007-70210-8](#) [00-054007-70217-7](#) [00-054007-70226-9](#) [00-054007-70228-3](#) [00-054007-70248-1](#) [00-054007-70256-6](#) [00-054007-70301-3](#) [00-054007-70316-7](#) [00-054007-49560-4](#) [00-054007-70209-2](#) [00-054007-70225-2](#) [00-054007-70227-6](#) [00-054007-70231-3](#) [00-054007-70241-2](#) [00-054007-70242-9](#) [00-054007-70244-3](#) [00-054007-70246-7](#) [00-054007-70263-4](#) [00-054007-70288-7](#) [00-054007-70290-0](#) [00-054007-70300-6](#) [00-054007-70304-4](#) [01-2065-1-0216](#) [01-2900-1-04412](#) [00581P0075](#) [600TS-10](#) [60205-1](#) [604200-1](#) [605601-1](#) [60598-1-CUT-TAPE](#) [61314-6-C](#) [61810-3](#) [61-S](#) [61-SN](#) [626-0194](#) [62-NBM-A](#) [62-SN](#) [62-SP](#) [63-S](#) [640179-1](#) [M55155/059I03](#) [M55155/079C01](#) [M55155/099H02](#) [M55155/109H01](#) [M55155/109H02](#) [M55155/12XH05](#) [M55155/16XH02](#) [M55155/29-5S](#)