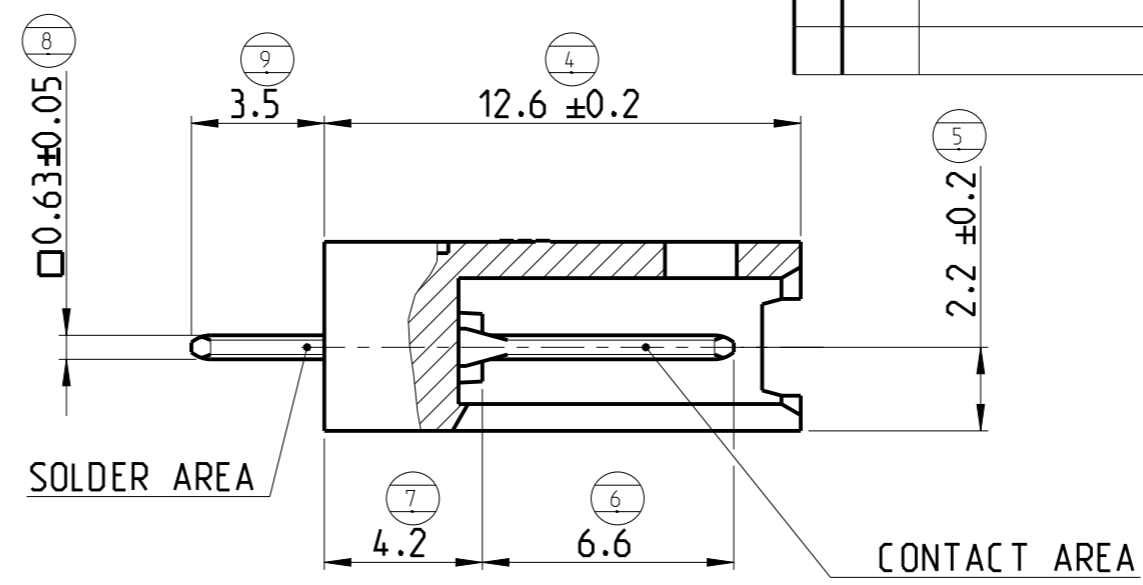
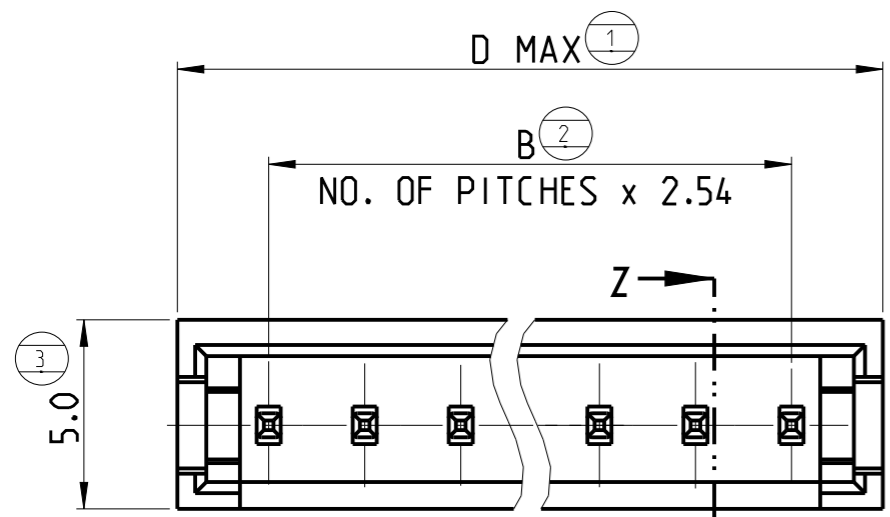
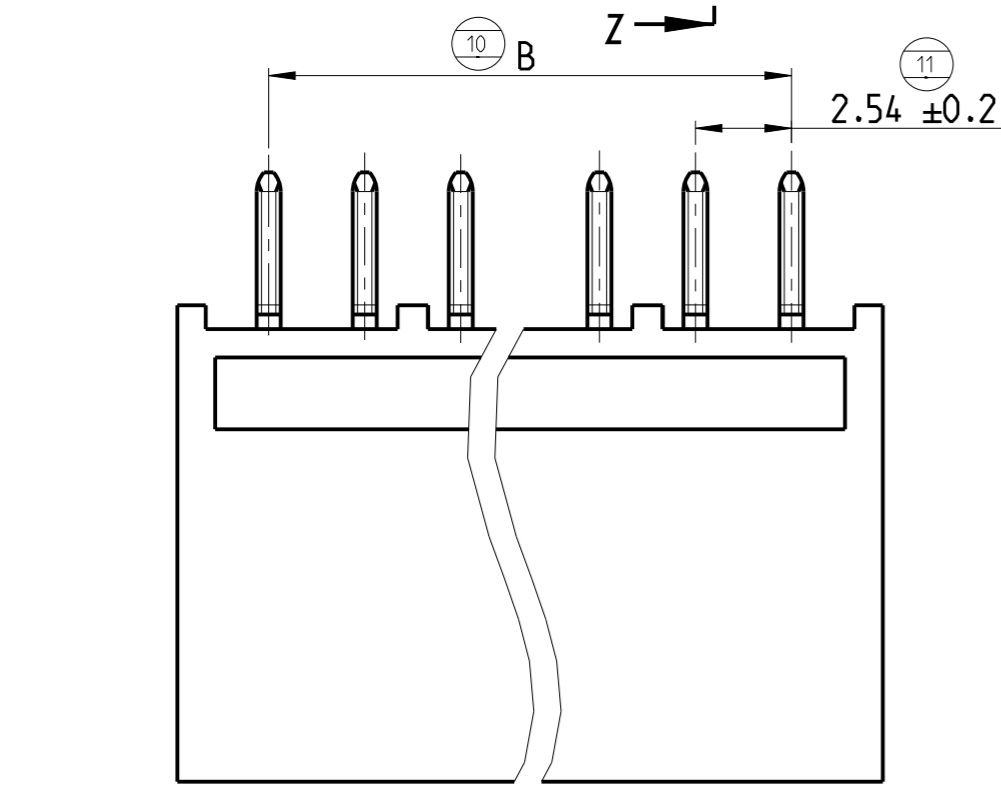


| P | LTR | DESCRIPTION                               | DATE      | DWN | APVD |
|---|-----|---|-----------|-----|------|
|   | N   | DRAWING REDRAWN. PLASTIC SUPPLIER CHANGED | 27MAY2021 | SB  | KJK  |



PARTIAL SEC Z-Z



|      |       |                       |                       |               |             |
|------|-------|-----------------------|-----------------------|---------------|-------------|
| 58.5 | 53.34 | 280376-3              | <del>280376-2</del> 5 | 280376-1      | 22          |
| 40.7 | 35.56 | 280375-3              | 280375-2              | 280375-1      | 15          |
| 33.1 | 27.94 | 280520-3              | 280520-2              | 280520-1      | 12          |
| 28.0 | 22.86 | 280374-3              | 280374-2              | 280374-1      | 10          |
| 25.4 | 20.32 | <del>280508-3</del> 6 | 280508-2              | 280508-1      | 9           |
| 22.9 | 17.78 | <del>280373-3</del> 5 | 280373-2              | 280373-1      | 8           |
| 17.8 | 12.70 | 280372-3              | 280372-2              | 280372-1      | 6           |
| 12.7 | 7.62  | 280371-3              | 280371-2              | 280371-1      | 4           |
| 7.7  | 2.54  | 280370-3              | 280370-2              | 280370-1      | 2           |
| D    | B     | PART NUMBER 3         | PART NUMBER 2         | PART NUMBER 1 | NO. OF POS. |

NOTES:

- 1 FINISH: 3-5 μm TIN OVER MIN 1.27 μm NICKEL
- 2 FINISH: DUPLEX PLATED MIN 0.38 μm GOLD IN CONTACT AREA AND 2.5 μm TIN IN SOLDER AREA. OVER MIN 1.27 μm NICKEL.
- 3 FINISH: DUPLEX PLATED MIN 0.76 μm GOLD IN CONTACT AREA AND 2.5 μm TIN IN SOLDER AREA. OVER MIN 1.27 μm NICKEL.
- 4 MATERIALS:  
-HOUSINGS: FLAME RETARDANT THERMOPLASTIC. UL94V0. COLOR BLACK.  
-TIN AND GOLD PLATED CONTACT: BRASS
- 5 OBSOLETE PN
- 6 PN SUPERSEDED BY 280508-2

|  |  |                         |   |                 |
|--|--|-------------------------|---|-----------------|
| THIS DRAWING IS A CONTROLLED DOCUMENT.                             |  | DWN G. CAMPIA 12FEB1990 |   |                 |
| DIMENSIONS: mm   |  | CHK -                   |   |                 |
| TOLERANCES UNLESS OTHERWISE SPECIFIED: ±0.3                        |  | APVD -                  | NAME<br>AMPMODU II SHROUDED HEADER<br>SINGLE ROW, STRAIGHT POST |                 |
| 0 PLC ±<br>1 PLC ±<br>2 PLC ±<br>3 PLC ±<br>4 PLC ±<br>ANGLES ± 2° |  | PRODUCT SPEC 108-20025  |   |                 |
| MATERIAL 4   |  | FINISH -                | RESTRICTED TO -   |                 |
|  |  | WEIGHT -                | SIZE A3   | CAGE CODE 00779 |
|  |  | CUSTOMER DRAWING        | DRAWING NO C-280370   | SCALE 5:1       |
|  |  |                         | SHEET 1 OF 1  | REV N           |

## X-ON Electronics

Largest Supplier of Electrical and Electronic Components

*Click to view similar products for [Headers & Wire Housings](#) category:*

*Click to view products by [TE Connectivity](#) manufacturer:*

Other Similar products are found below :

[892-18-020-10-001101](#) [58102-G61-06LF](#) [582553-1](#) [0009485154](#) [009176003701906](#) [0050291907](#) [LY20-4P-DT1-P1E-BR](#) [02.125.8002.8](#)  
[609-3404](#) [61062-3](#) [61082-181009](#) [622-3653LF](#) [63453-116](#) [636-1030](#) [636-1427](#) [636-3427](#) [636-4007](#) [641938-9](#) [641991-4](#) [644827-2](#) [65817-010LF](#) [65817-015LF](#) [65863-015LF](#) [66207-023LF](#) [67095-007LF](#) [67601157](#) [68645-018](#) [68648-049](#) [70.362.1628.0](#) [70-4210](#) [70-4226B](#) [70-4853B](#) [707-5020](#) [707-5028](#) [71.350.2428.0](#) [71918-208LF](#) [71961-016LF](#) [733-134](#) [733-162](#) [754199-000](#) [760-3052](#) [787-8014-00](#) [79531-3000](#)  
[FCN-360C032-B](#) [FCN-367T-T012/H](#) [FCN-723D010/2](#) [80.063.4001.1](#) [800-90-001-10-001000](#) [800-90-010-10-002000](#) [801-43-002-10-013000](#)