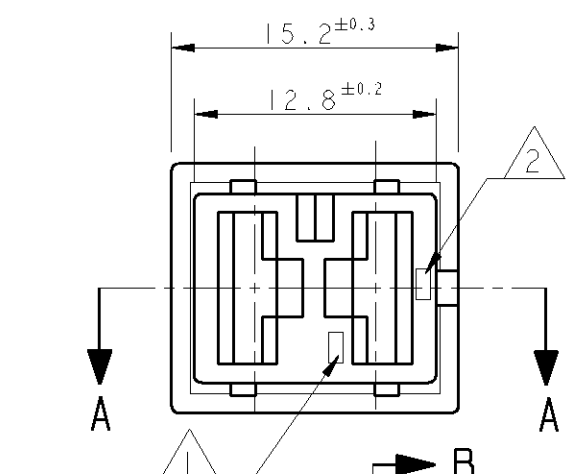


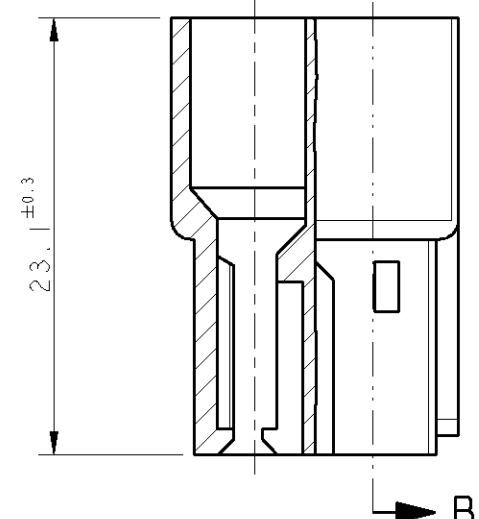
THIS DRAWING IS UNPUBLISHED.  
 QUESTO DISEGNO NON DEVE ESSERE DIVULGATO O RIPRODOTTO

RELEASED FOR PUBLICATION  
 E' CONSENTITA LA DIVULGAZIONE

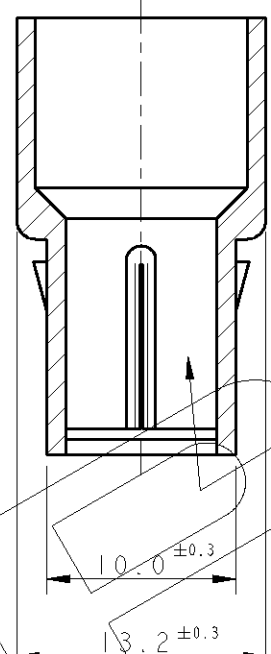
LOC	DIST	REVISIONS			DATE	DWN	APVD
1	-	P	LTR	DESCRIPTION	DATA	DIS.	APP.
		J1		REVISED PER ECO-11-005140	29APR11	RK	HMR



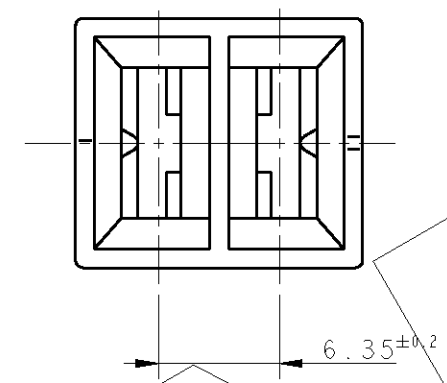
SEZ. PARZIALE A-A  
 PARTIAL SECT. A-A



SEZIONE B-B  
 SECTION B-B



TIPICA CAVITA' PER TERMINALE AMP  
 FASTIN-FASTON SR.6.35mm.  
 (TYPICAL CAVITY FOR AMP  
 FASTIN-FASTON .250 SR.)



NERO (BLACK)	PA 6.6 (PA 6.6 UNFILLED)	280543-5
GIALLO (YELLOW)		<del>280543-4</del> 3
BLU (BLUE)		<del>280543-3</del> 3
VERDE (GREEN)		<del>280543-2</del> 3
ROSSO (RED)		<del>280543-1</del> 3
NEUTRO (CLEAR)		280543-0
<b>COLORE (COLOUR)</b>		<b>MATERIALE (MATERIAL)</b>

- 1 NUMERO DI IMPRONTA STAMPO (MOULD CAVITY IDENTIFICATION NO.)
- 2 MARCHIO DI FABBRICA AMP (AMP TRADE MARK)
- 3 **OBSOLETE**

DIMENSIONS: DIMENSIONI: mm		TOLERANCES UNLESS OTHERWISE SPECIFIED: TOLLERANZE: SE NON DIVERSAMENTE SPECIFICATO		DWN /DIS. F. BORIN 22JUN98			
		0 PLC /DEC ± 1 PLC /DEC ± 2 PLC /DEC ± 3 PLC /DEC ± 4 PLC /DEC ± ANGLES /ANGOLI ± 2°		CHK /CONT. C. TARTARI 22JUN98			
MATERIALE FINITURA		FINISH FINITURA		APVD /APP. -		FASTIN-FASTON™ CONNECTOR .250 SRS.RECEPTACLE HOUSING, 2 POS.	
SEE TABLE		-		PRODUCT SPEC SPEC DI PRODOTTO 108-20020		SIZE CAGE CODE DRAWING NO NUMERO	
-		-		APPLICATION SPEC SPEC DI APPLICAZIONE -		A3 00779 C-280543	
-		-		WEIGHT PESO -		RESTRICTED TO	
-		-		CUSTOMER DRAWING DISEGNO PER CLIENTE SOLO PER RIFERIMENTO		SCALE SCALA 2.5:1 SHEET FOGLIO OF DI REV J1	

## X-ON Electronics

Largest Supplier of Electrical and Electronic Components

*Click to view similar products for [Terminals](#) category:*

*Click to view products by [TE Connectivity](#) manufacturer:*

Other Similar products are found below :

[00-054007-01074-6](#) [00-054007-70206-1](#) [00-054007-70210-8](#) [00-054007-70217-7](#) [00-054007-70226-9](#) [00-054007-70228-3](#) [00-054007-70248-1](#) [00-054007-70256-6](#) [00-054007-70301-3](#) [00-054007-70316-7](#) [00-054007-49560-4](#) [00-054007-70209-2](#) [00-054007-70225-2](#) [00-054007-70227-6](#) [00-054007-70231-3](#) [00-054007-70241-2](#) [00-054007-70242-9](#) [00-054007-70244-3](#) [00-054007-70246-7](#) [00-054007-70263-4](#) [00-054007-70288-7](#) [00-054007-70290-0](#) [00-054007-70300-6](#) [00-054007-70304-4](#) [01-2065-1-0216](#) [01-2900-1-04412](#) [00581P0075](#) [600TS-10](#) [60205-1](#) [604200-1](#) [605601-1](#) [60598-1-CUT-TAPE](#) [61314-6-C](#) [61810-3](#) [61-S](#) [61-SN](#) [626-0194](#) [62-NBM-A](#) [62-SN](#) [62-SP](#) [63-S](#) [640179-1](#) [M55155/059I03](#) [M55155/079C01](#) [M55155/099H02](#) [M55155/109H01](#) [M55155/109H02](#) [M55155/12XH05](#) [M55155/16XH02](#) [M55155/29-5S](#)